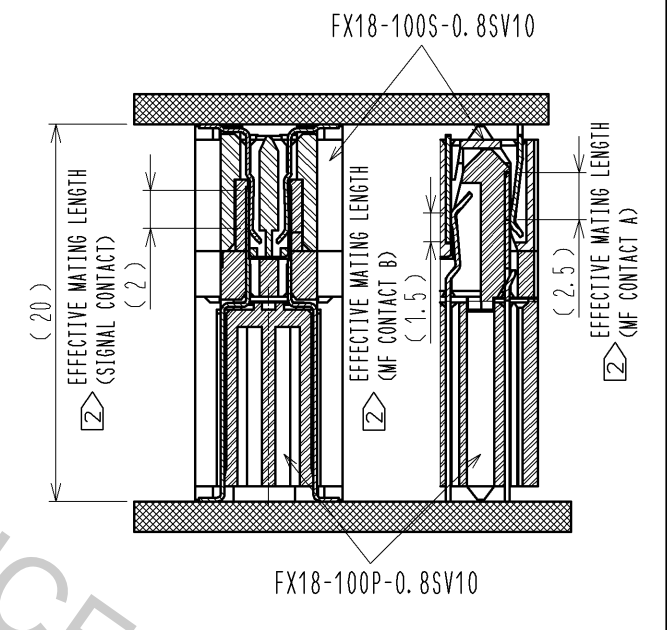
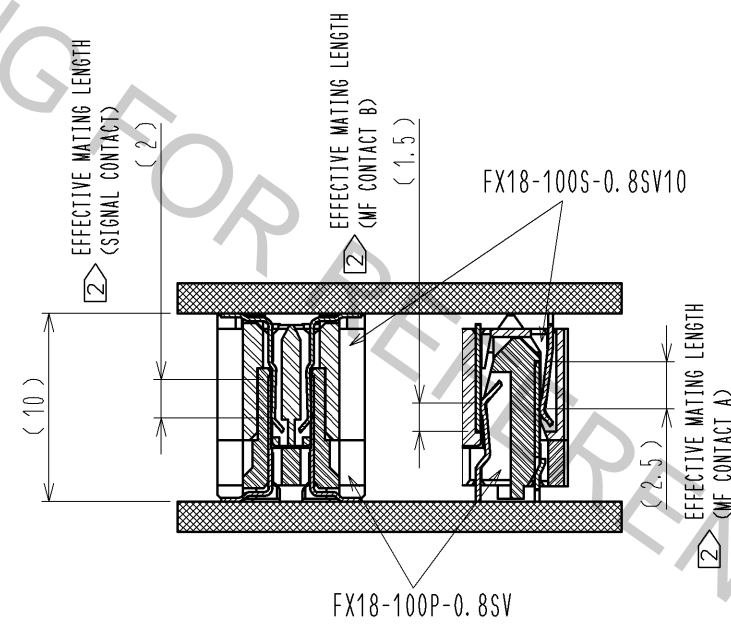


CROSS SECTION OF MATING(FREE)  
STACKING HEIGHT=10mm

CROSS SECTION OF MATING(FREE)  
STACKING HEIGHT=20mm



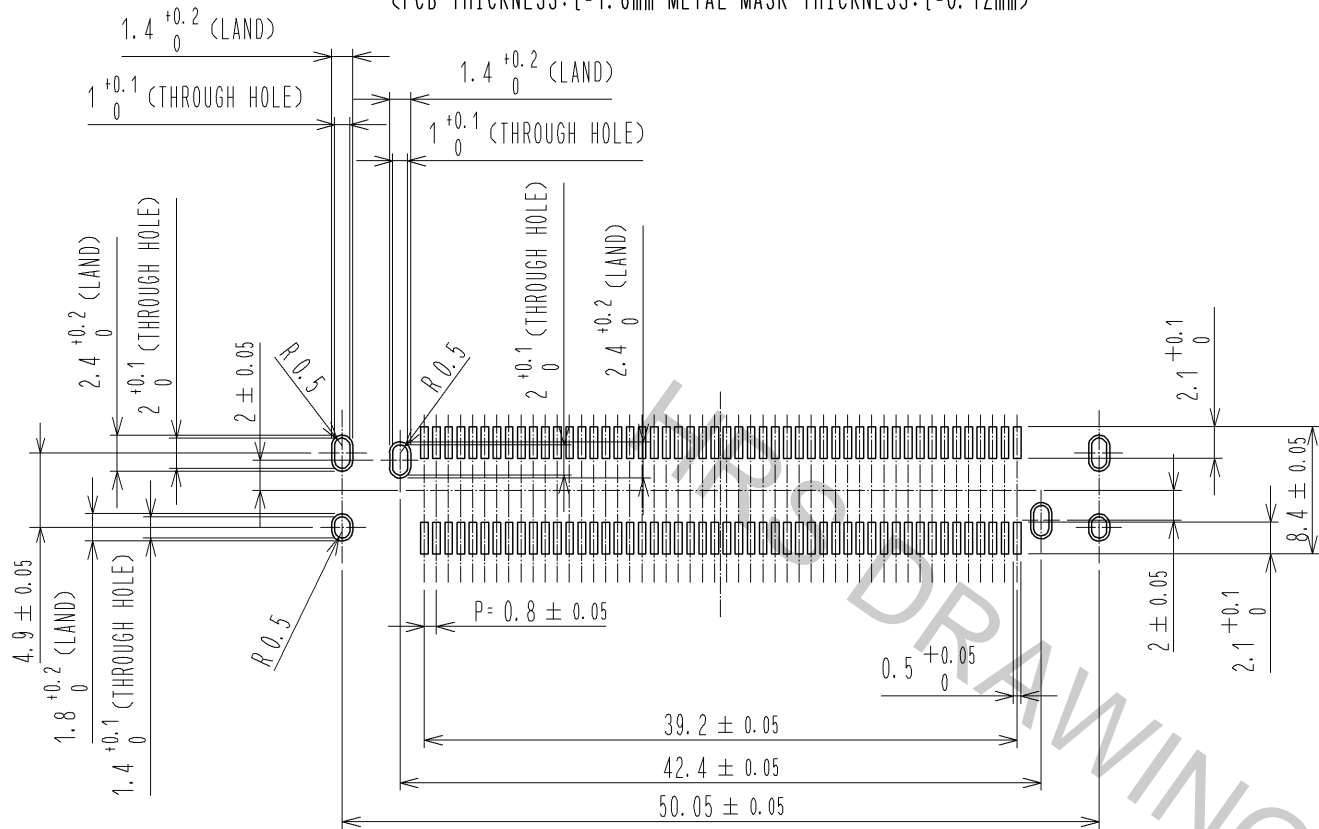
- NOTE 1 LEAD CO-PLANARITY IS 0.1mm MAX.  
 2 CONTACTS ARE 3 STEPS SEQUENTIAL. (MF CONTACT A->SIGNAL CONTACT->MF CONTACT B) WHEN USING THIS SEQUENTIAL STRUCTURE, PLEASE AVOID ANGLED INSERTION.  
 3 MF CONTACT A AND MF CONTACT B CAN BE USED AS POWER SUPPLY CONTACT. (3A/PIN MAX)  
 4 IT SHOWS THE VACUUM PICKUP AREA. (SEE PAGE 2) REMOVE THE MYLAR TAPE BEFORE MATING CONNECTORS.  
 5 THIS IS PACKAGED IN TRAY. (40pcs/TRAY)  
 6 BLEMISH AND HIT MARK CAN BE OCCURED THROUGH OUT THE MANUFACTURING PROCESS WHICH DOESN' T AFFECT QUALITY LEVEL.  
 7 THE DIMENSIONS IN PARENTHESES ARE FOR REFERENCES.

2	COPPER ALLOY	CONTACT AREA:GOLD 0.1 μm LEAD AREA:GOLD 0.03 μm UNDER PLATING:NICKEL 1.3 μm	3	COPPER ALLOY	CONTACT AREA:GOLD 0.1 μm LEAD AREA:TIN-PLATING 1 μm UNDER PLATING:NICKEL 1.3 μm
1	POLYAMIDE	BLACK UL94V-0	4	COPPER ALLOY	CONTACT AREA:GOLD 0.1 μm LEAD AREA:TIN-PLATING 1 μm UNDER PLATING:NICKEL 1.3 μm
NO.	MATERIAL	FINISH . REMARKS	NO.	MATERIAL	FINISH . REMARKS

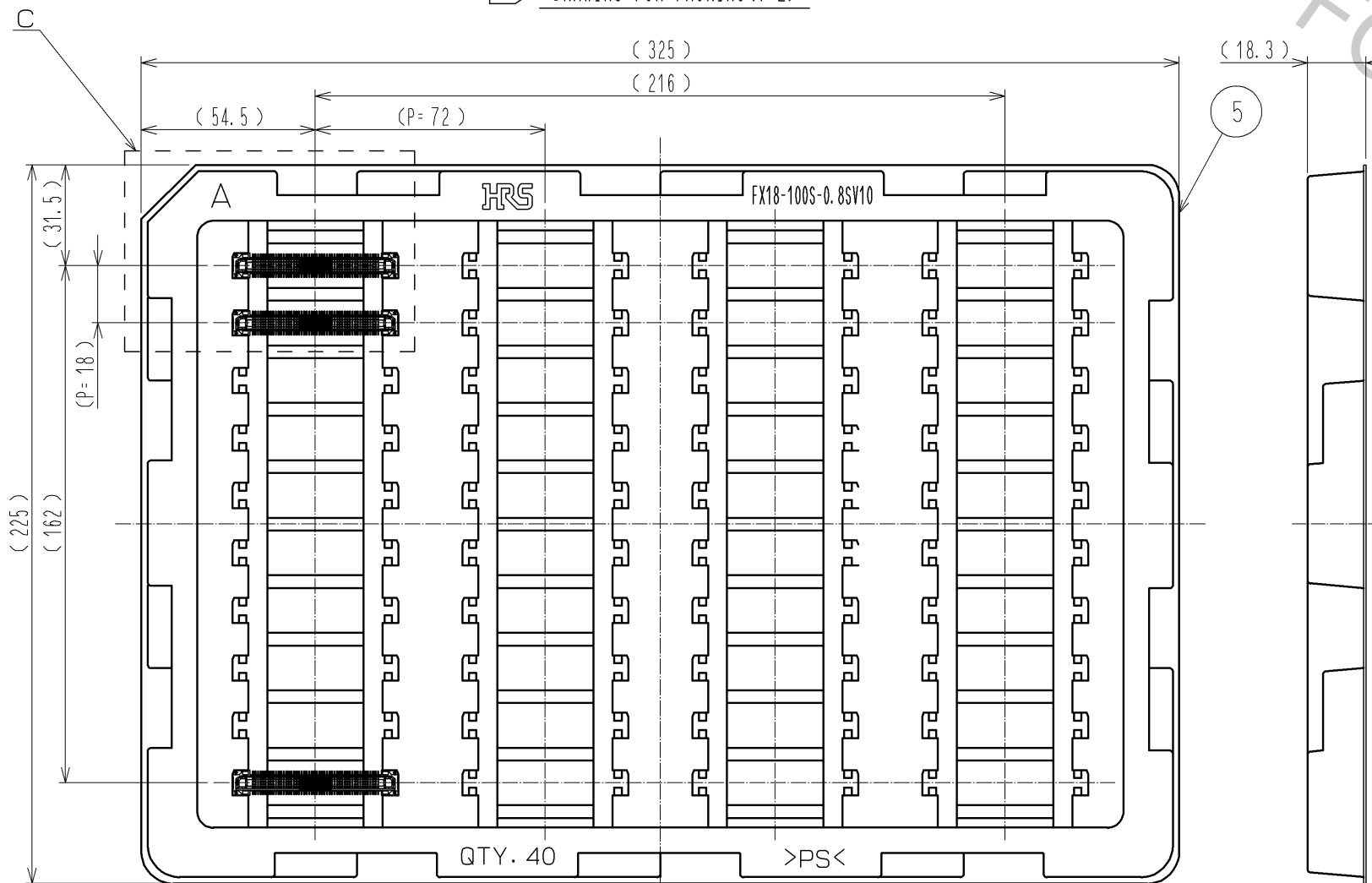
UNITS mm		SCALE 2 : 1	COUNT △	DESCRIPTION OF REVISIONS	DESIGNED	CHECKED	DATE
APPROVED : HS. OKAWA 14.07.16				DRAWING NO.	EDC3-349390-00		
CHECKED : HT. YAMAGUCHI 14.07.15				PART NO.	FX18-100S-0.8SV10		
DESIGNED : TH. SANO 14.07.15				CODE NO.	CL579-0058-0-00		
DRAWN : TH. SANO 14.07.15				△ 1/2			

Aug.1.2016 Copyright 2016 HIROSE ELECTRIC CO., LTD. All Rights Reserved.

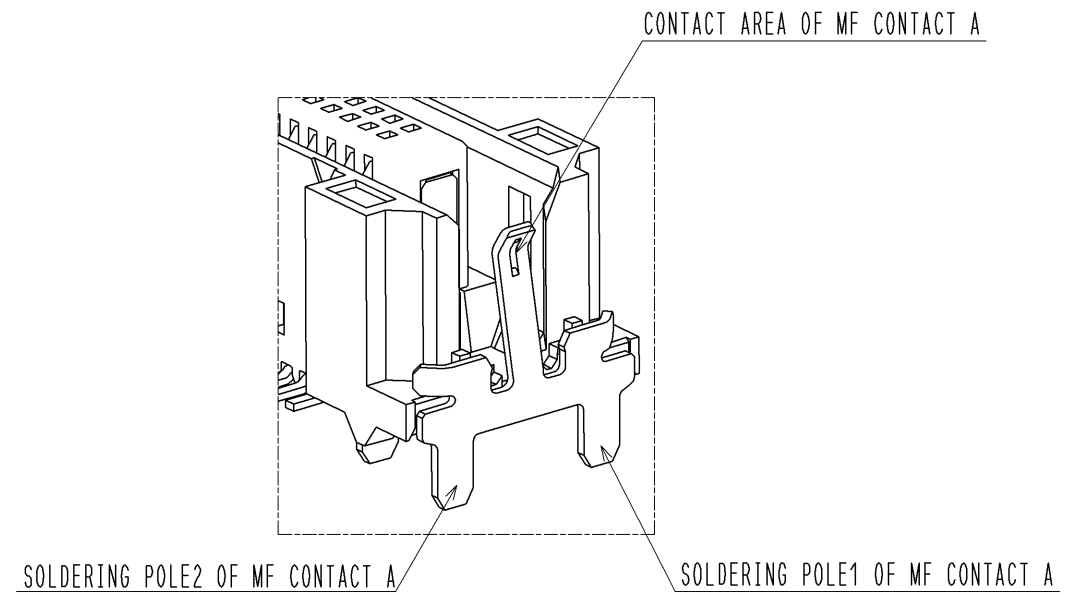
RECOMMENDED LAND PATTERN DIMENSION OF PCB(2:1)  
(PCB THICKNESS:t=1.6mm METAL MASK THICKNESS:t=0.12mm)



5 DRAWING FOR PACKING(1:2)

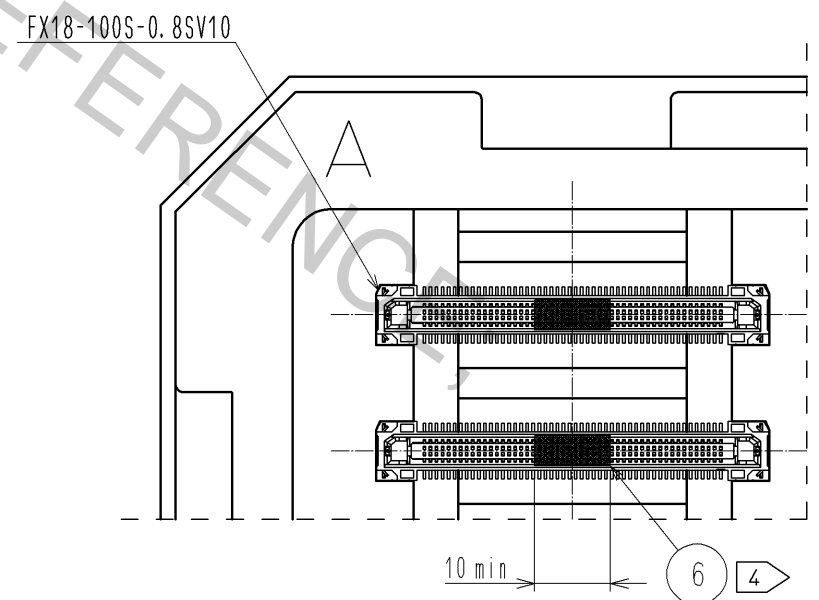


8 CONFIGURATION OF MF CONTACT A



NOTE 8 SOLDERING LEAD OF MF CONTACT A SPLITS INTO TWO POLES.  
BE SURE TO CONNECT TO THE SAME CIRCUIT.

C(1:1)



<b>HRS</b>	DRAWING NO.	EDC3-349390-00	△ 2/2
	PART NO.	FX18-100S-0.8SV10	
	CODE NO.	CL579-0058-0-00	