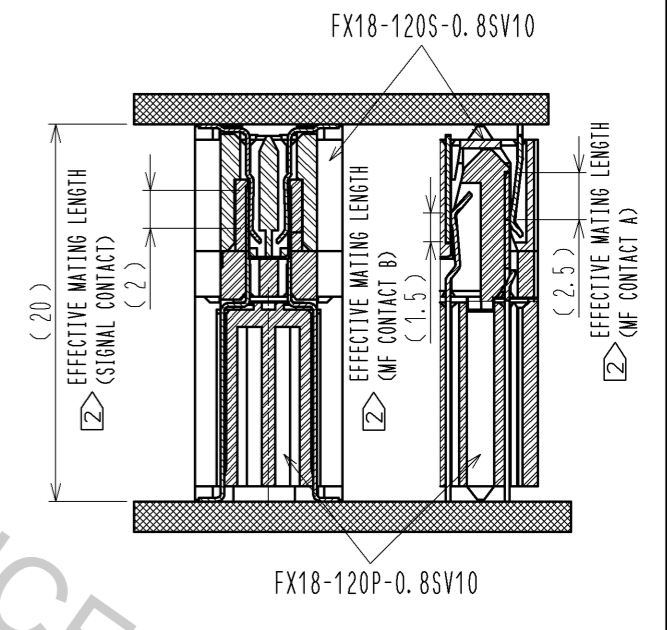
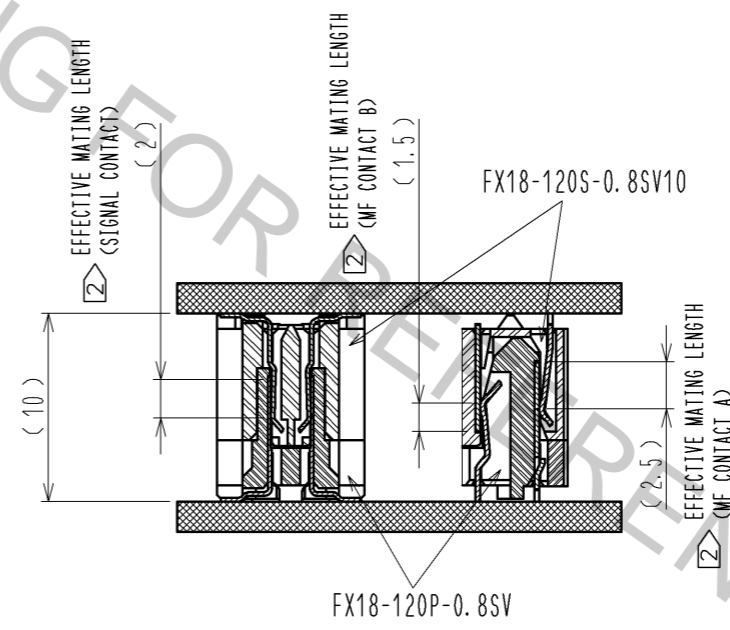


CROSS SECTION OF MATING(FREE)
STACKING HEIGHT=10mm

CROSS SECTION OF MATING(FREE)
STACKING HEIGHT=20mm



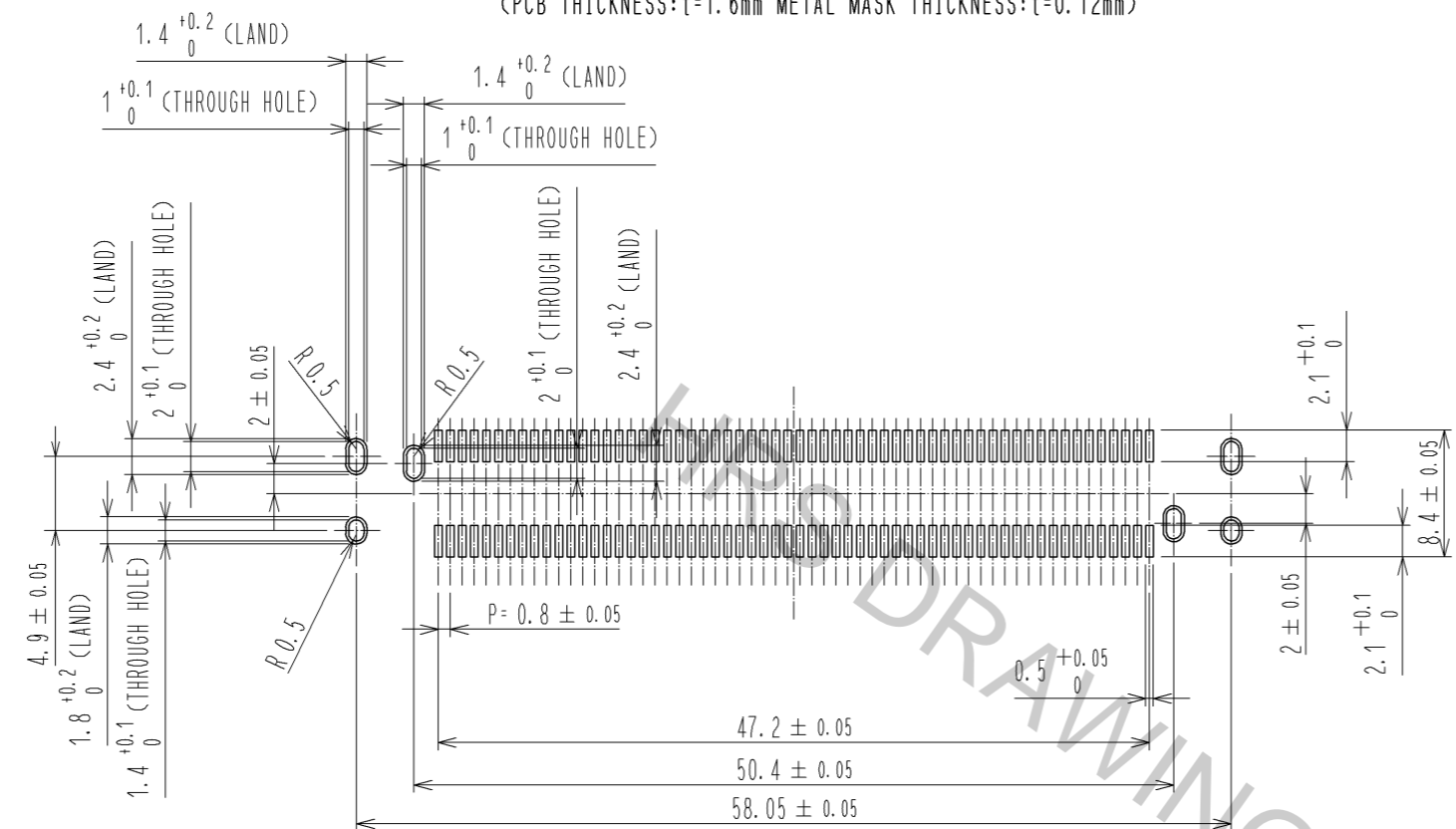
- NOTE 1 LEAD CO-PLANARITY IS 0.1mm MAX.
 2 CONTACTS ARE 3 STEPS SEQUENTIAL. (MF CONTACT A->SIGNAL CONTACT->MF CONTACT B) WHEN USING THIS SEQUENTIAL STRUCTURE, PLEASE AVOID ANGLED INSERTION.
 3 MF CONTACT A AND MF CONTACT B CAN BE USED AS POWER SUPPLY CONTACT. (3A/PIN MAX)
 4 IT SHOWS THE VACUUM PICKUP AREA. (SEE PAGE 2) REMOVE THE MYLAR TAPE BEFORE MATING CONNECTORS.
 5 THIS IS PACKAGED IN TRAY. (40pcs/TRAY)
 6 BLEMISH AND HIT MARK CAN BE OCCURED THROUGH OUT THE MANUFACTURING PROCESS WHICH DOESN' T AFFECT QUALITY LEVEL.
 7 THE DIMENSIONS IN PARENTHESES ARE FOR REFERENCES.

6	POLYIMIDE						
5	POLYSTYRENE						
4	COPPER ALLOY	CONTACT AREA:GOLD 0.1 μm					
		LEAD AREA:TIN-PLATING 1 μm					
		UNDER PLATING:NICKEL 1.3 μm					
3	COPPER ALLOY	CONTACT AREA:GOLD 0.1 μm					
		LEAD AREA:TIN-PLATING 1 μm					
		UNDER PLATING:NICKEL 1.3 μm					
2	COPPER ALLOY	CONTACT AREA:GOLD 0.1 μm					
		LEAD AREA:GOLD 0.03 μm					
		UNDER PLATING:NICKEL 1.3 μm					
1	POLYAMIDE	BLACK UL94V-0					
NO.	MATERIAL	FINISH	REMARKS	NO.	MATERIAL	FINISH	REMARKS

UNITS mm		SCALE 2 : 1	COUNT △	DESCRIPTION OF REVISIONS	DESIGNED	CHECKED	DATE
APPROVED : HS. OKAWA 14.07.16				DRAWING NO.	EDC3-349391-00		
CHECKED : HT. YAMAGUCHI 14.07.15				PART NO.	FX18-120S-0.8SV10		
DESIGNED : TH. SANO 14.07.15				CODE NO.	CL579-0059-2-00		
DRAWN : TH. SANO 14.07.15					△ 1/2		

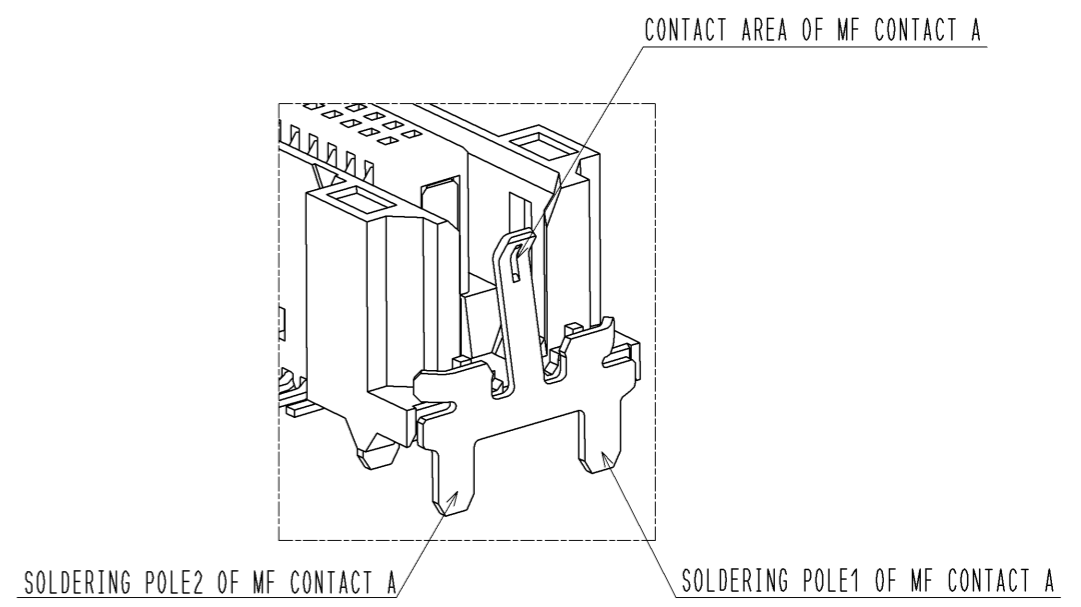
Aug.1.2016 Copyright 2016 HIROSE ELECTRIC CO., LTD. All Rights Reserved.

RECOMMENDED LAND PATTERN DIMENSION OF PCB(2:1)
(PCB THICKNESS:t=1.6mm METAL MASK THICKNESS:t=0.12mm)

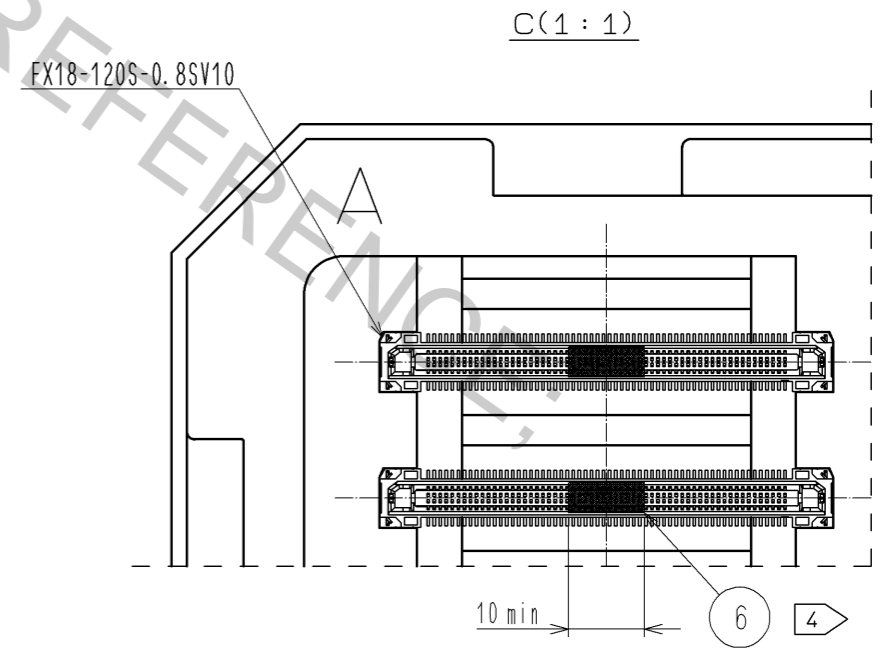
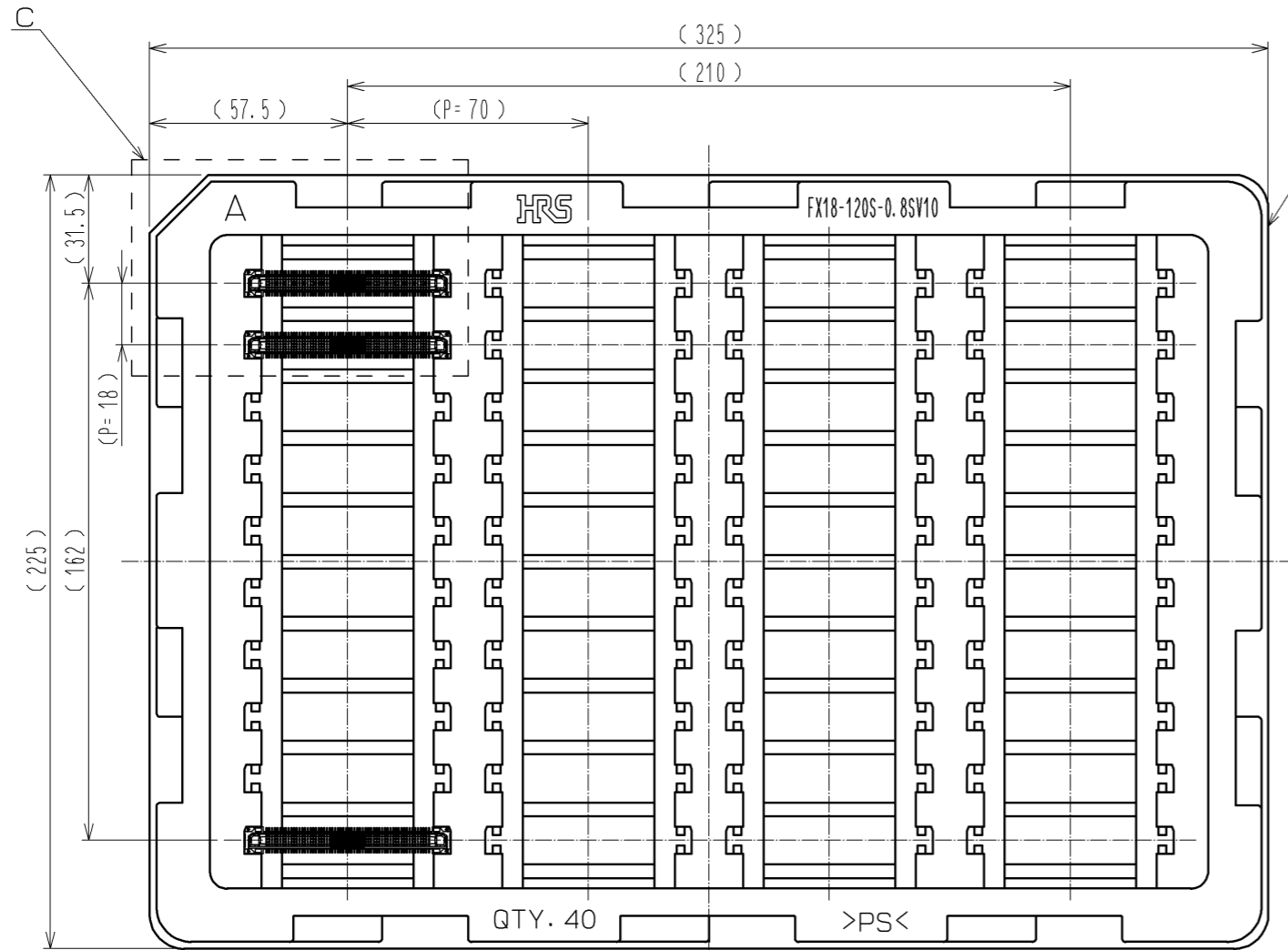


5 DRAWING FOR PACKING(1:2)

8 CONFIGURATION OF MF CONTACT A



NOTE 8 SOLDERING LEAD OF MF CONTACT A SPLITS INTO TWO POLES. BE SURE TO CONNECT TO THE SAME CIRCUIT.



HRS	DRAWING NO.	EDC3-349391-00
	PART NO.	FX18-120S-0.8SV10
	CODE NO.	CL579-0059-2-00
		△ 2/2