

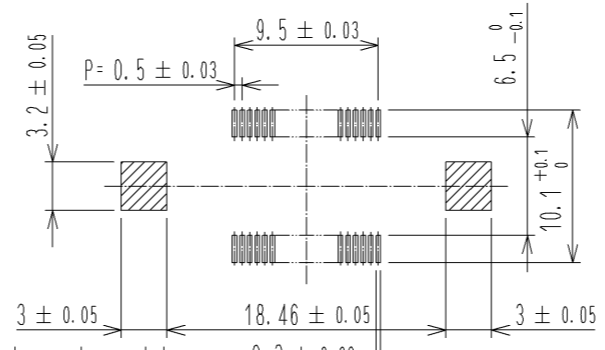
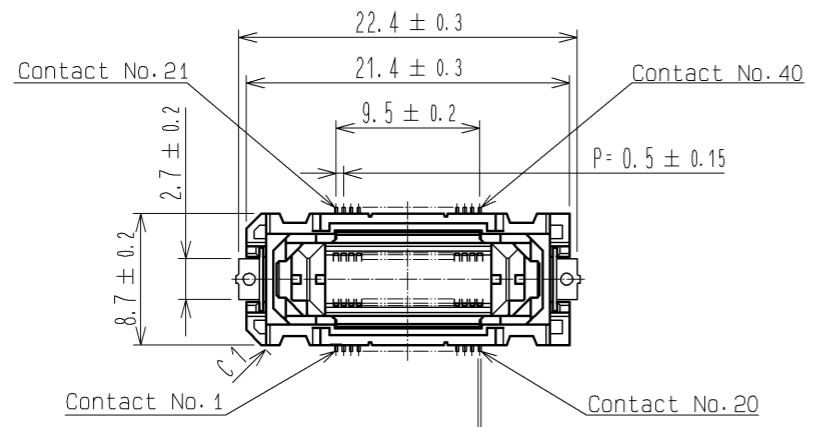
Aug.1.2016 Copyright 2016 HIROSE ELECTRIC CO., LTD. All Rights Reserved.

1 2 3 4 5 6 7 8

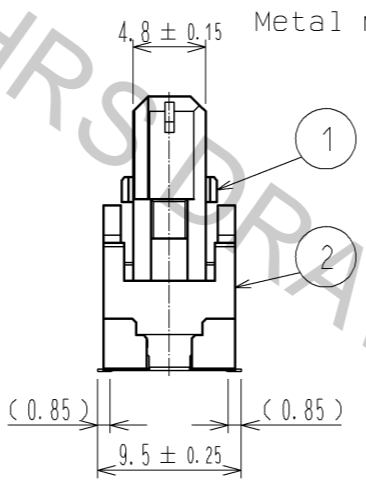
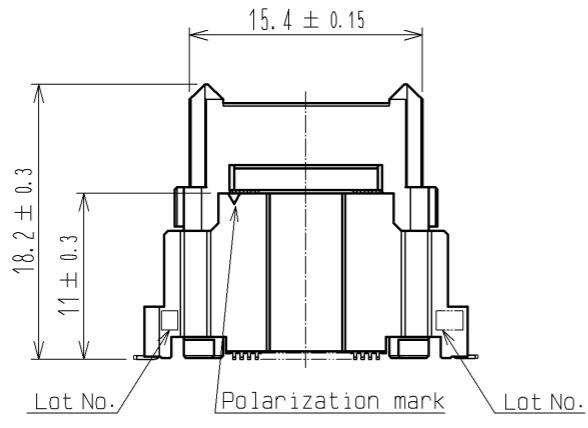
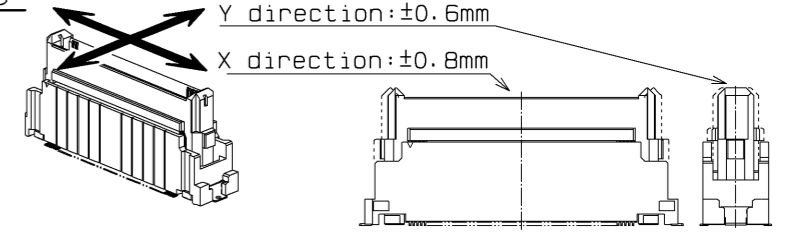
RECOMMENDED LAND PATTERN DIMENSION OF PCB

③ FLOATING RANGE

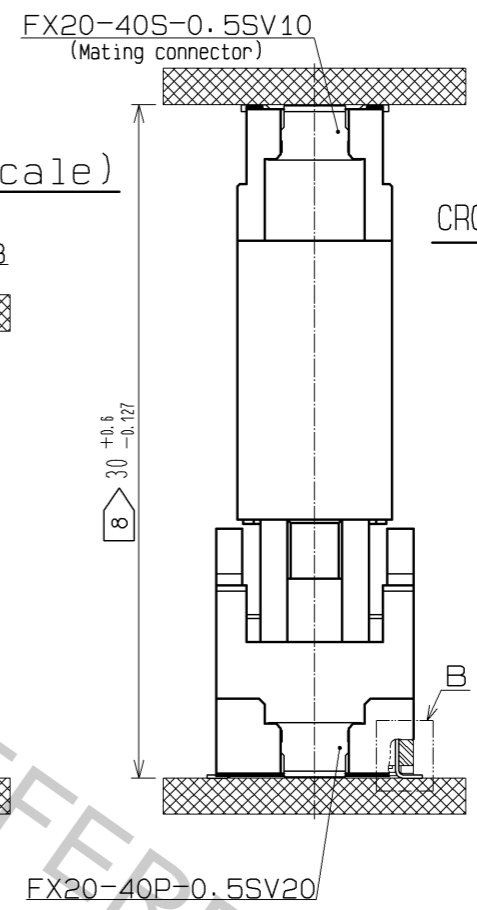
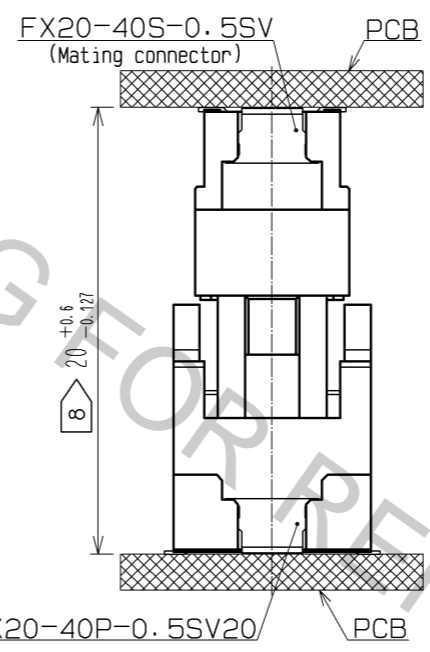
Y direction: ±0.6mm
X direction: ±0.8mm



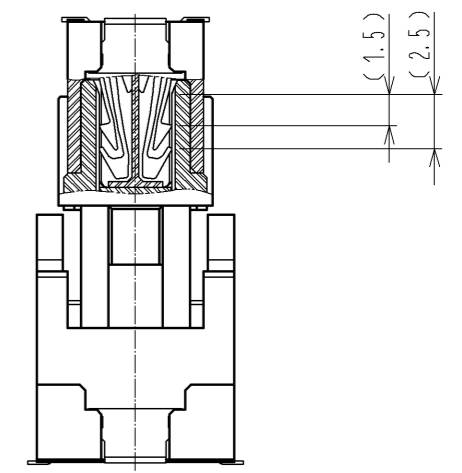
Metal mask (t=0.15): 0.25 ± 0.03
Metal mask (t=0.12): 0.3 ± 0.03



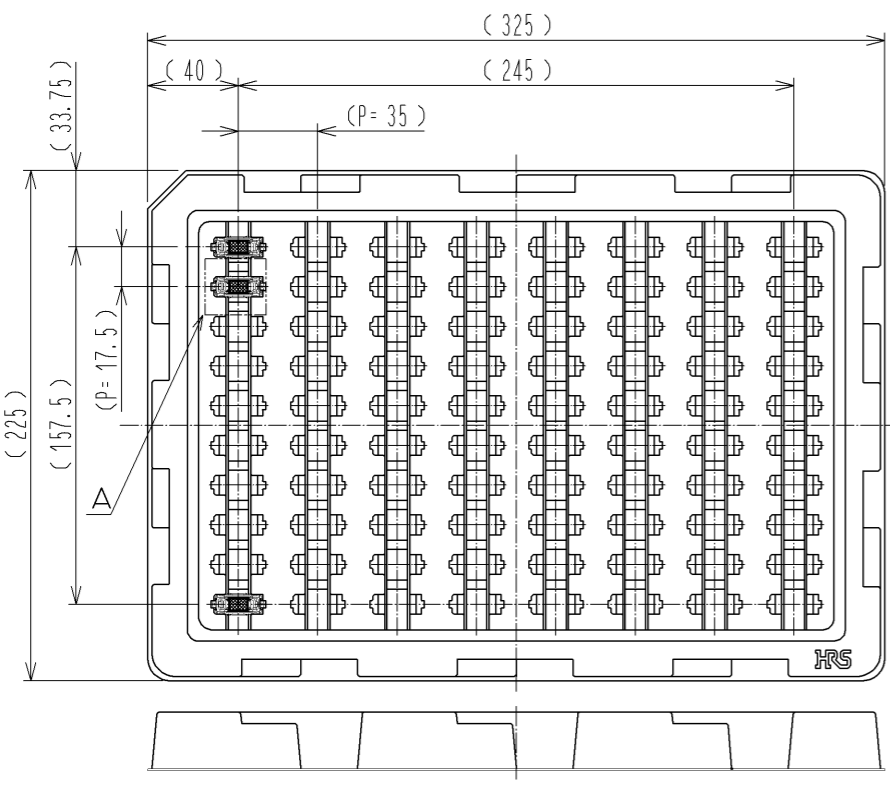
PCB DISTANCE (No scale)



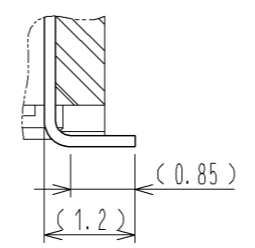
CROSS SECTION OF MATING (No scale)



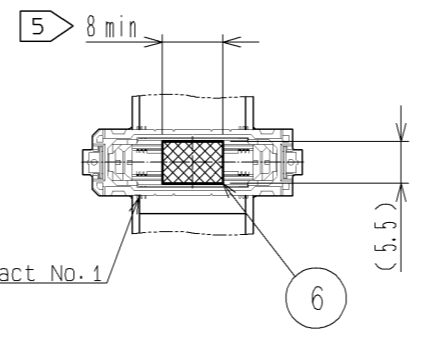
② DRAWING FOR PACKING (No scale)



B (10:1)



A (1:1)



- Lead CO-Planarity is 0.1mm MAX.
- This is packaged in tray. (80pcs/tray)
- Floating range of this connector is ±0.8mm MAX in the X direction and ±0.6mm MAX in the Y direction.
- Blemish and hit mark can be occurred through out the manufacturing process which doesn't affect quality level.
- It shows the vacuum pickup area. Remove the mylar tape before mating connectors.
- Please note that excessive wrenching force could damage this connector. Please refer to the guideline for detailed regulations of the mating method.
- The dimensions in parentheses are for references.
- Please use the connectors within the specified PCB distance.

2	POLYAMIDE	BLACK	UL94V-0	6	POLYIMIDE	(TAPE FOR VACUUM PICKUP)		
1	POLYAMIDE	BLACK	UL94V-0	5	POLYSTYRENE	(TRAY)		
				4	BRASS	TIN-PLATING 1 μm		
				3	COPPER ALLOY	CONTACT AREA: GOLD 0.1 μm LEAD AREA: GOLD 0.03 μm UNDER PLATING: NICKEL 1 μm		
NO.	MATERIAL	FINISH	REMARKS	NO.	MATERIAL	FINISH . REMARKS		
UNITS	mm	SCALE	2 : 1	COUNT	DESCRIPTION OF REVISIONS	DESIGNED	CHECKED	DATE
HRS HIROSE ELECTRIC CO., LTD.		APPROVED	HS. OKAWA	14.06.09	DRAWING NO. EDC3-336325-01			
		CHECKED	KN. SHIBUYA	14.06.09	PART NO. FX20-40P-0.5SV20(10)			
		DESIGNED	TS. OONO	14.06.09	CODE NO. CL570-1007-7-10			
		DRAWN	TS. OONO	14.06.09	DATE			