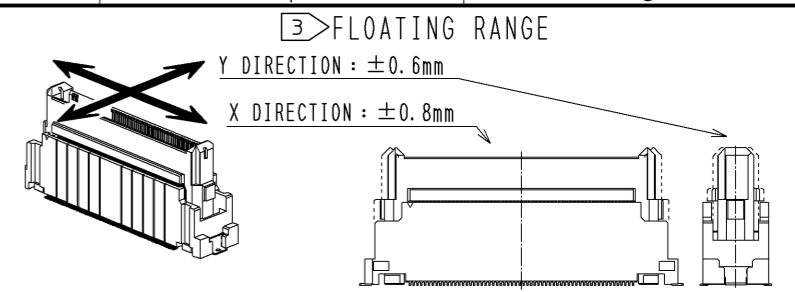
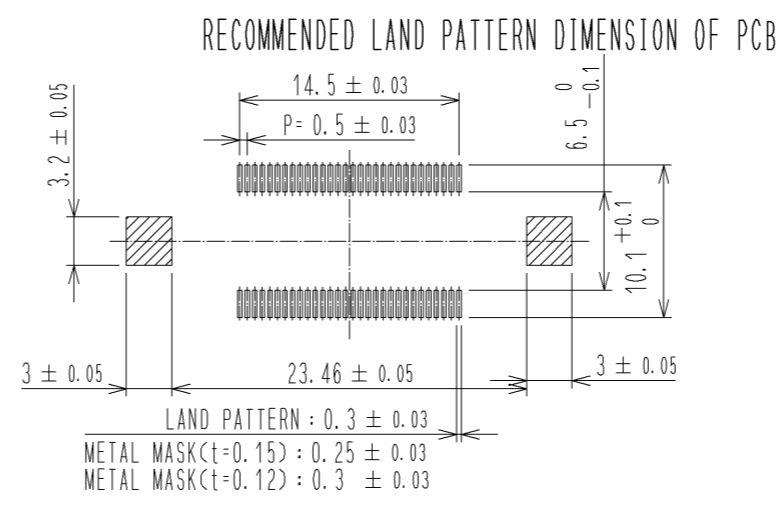
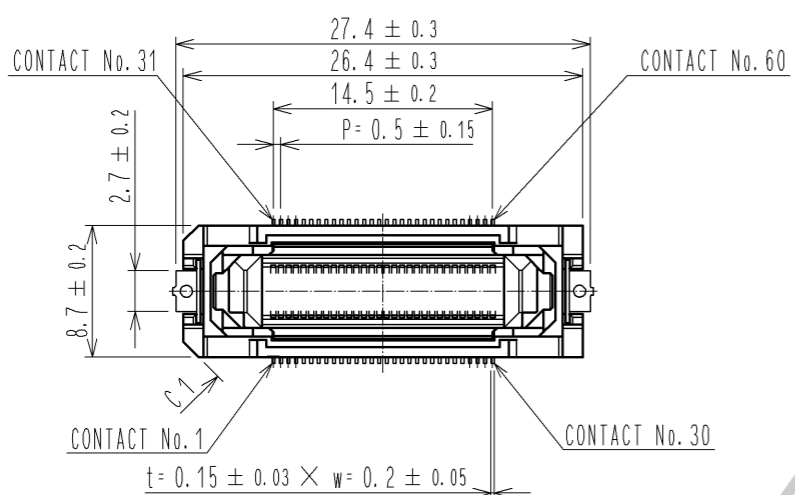
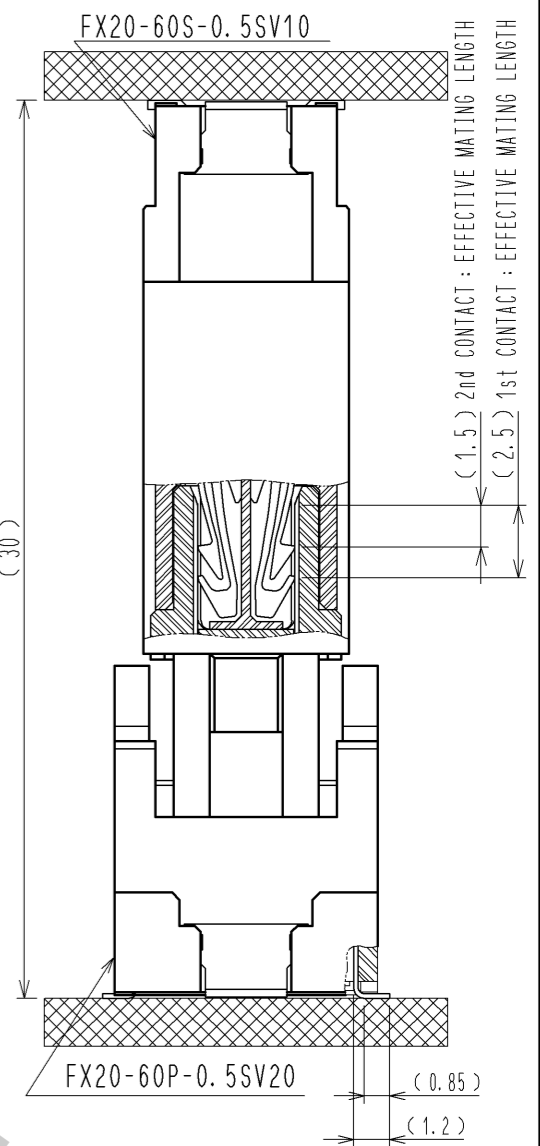


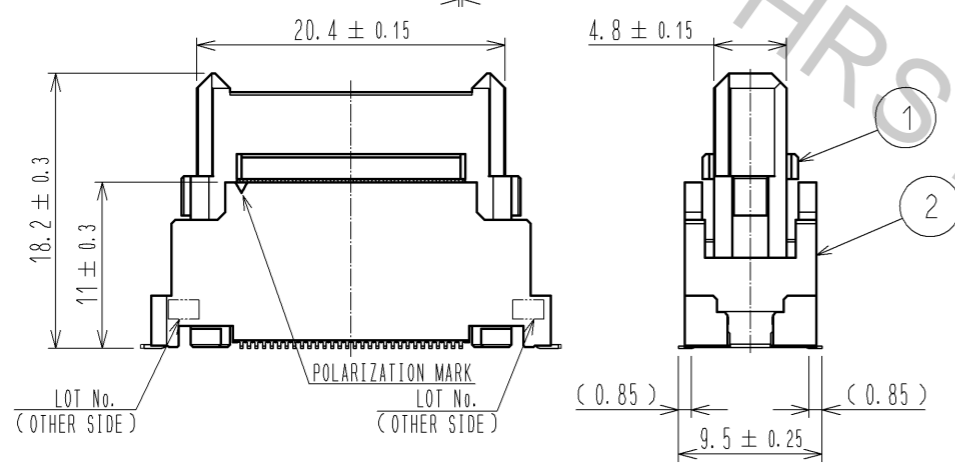
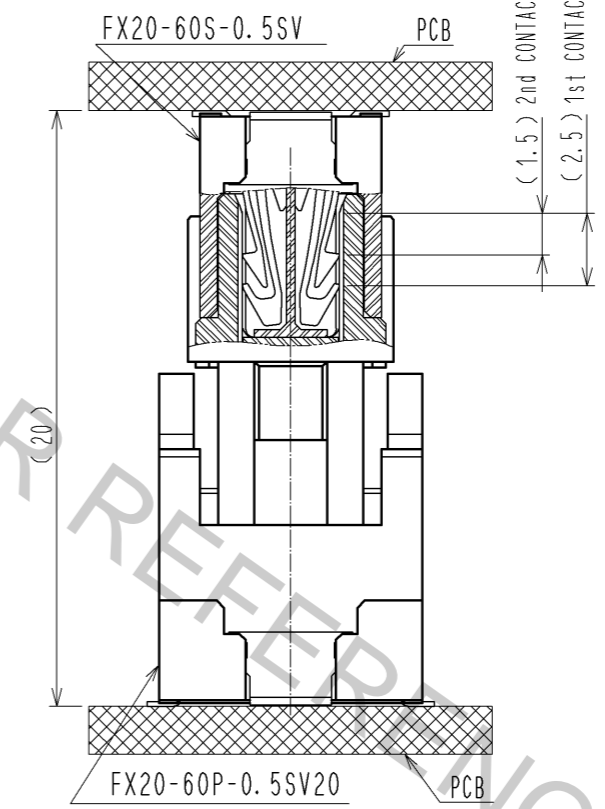
Aug.1.2016 Copyright 2016 HIROSE ELECTRIC CO., LTD. All Rights Reserved.



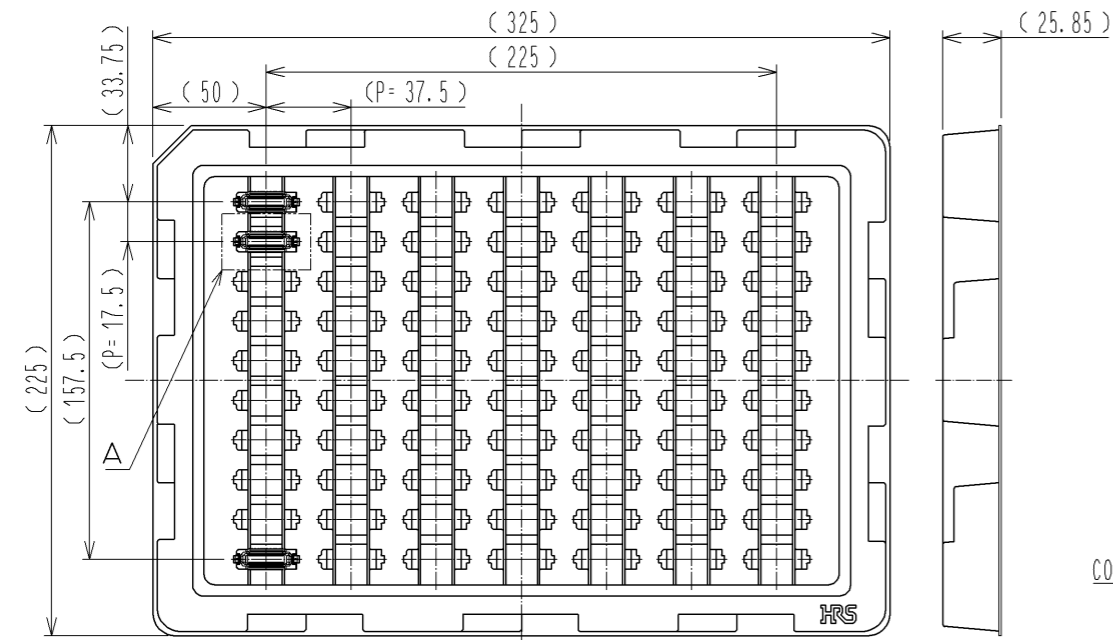
CROSS SECTION OF MATING(FREE)



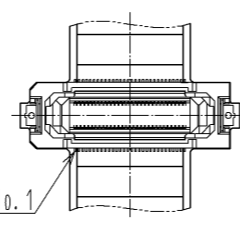
CROSS SECTION OF MATING(FREE)



2 DRAWING FOR PACKING(FREE)



A (1:1)



- NOTE 1 LEAD CO-PLANARITY IS 0.1mm MAX.
 2 THIS IS PACKAGED IN TRAY. (70pcs/TRAY)
 3 FLOATING RANGE OF THIS CONNECTOR IS ±0.8mm MAX. IN THE X DIRECTION AND ±0.6mm MAX. IN THE Y DIRECTION.
 4 BLEMISH AND HIT MARK CAN BE OCCURED THROUGH OUT THE MANUFACTURING PROCESS WHICH DOESN' T AFFECT QUALITY LEVEL.
 5 PLEASE NOTE THAT EXCESSIVE WRENCHING FORCE COULD DAMAGE THIS CONNECTOR. PLEASE REFER TO THE GUIDELINE FOR DETAILED REGULATIONS OF THE MATING METHOD.
 6 THE DIMENSIONS IN PARENTHESES ARE FOR REFERENCES.

2	POLYAMIDE	BLACK	UL94V-0	4	BRASS	TIN-PLATING 1 μm
1	POLYAMIDE	BLACK	UL94V-0	3	COPPER ALLOY	CONTACT AREA:GOLD 0.1 μm LEAD AREA:GOLD 0.03 μm UNDER PLATING:NICKEL 1 μm
NO.	MATERIAL	FINISH . REMARKS		NO.	MATERIAL	FINISH . REMARKS
UNITS mm		SCALE 2 : 1	COUNT	DESCRIPTION OF REVISIONS		DESIGNED
HRS		APPROVED : HS. OKAWA	12.03.06	DRAWING NO.		EDC3-336326-00
HIROSE ELECTRIC CO., LTD.		CHECKED : KI. HIROKAWA	12.03.06	PART NO.		FX20-60P-0.5SV20
		DESIGNED : KT. DOI	12.03.02	CODE NO.		CL570-1008-0-00
		DRAWN : KT. DOI	12.03.02			1/1