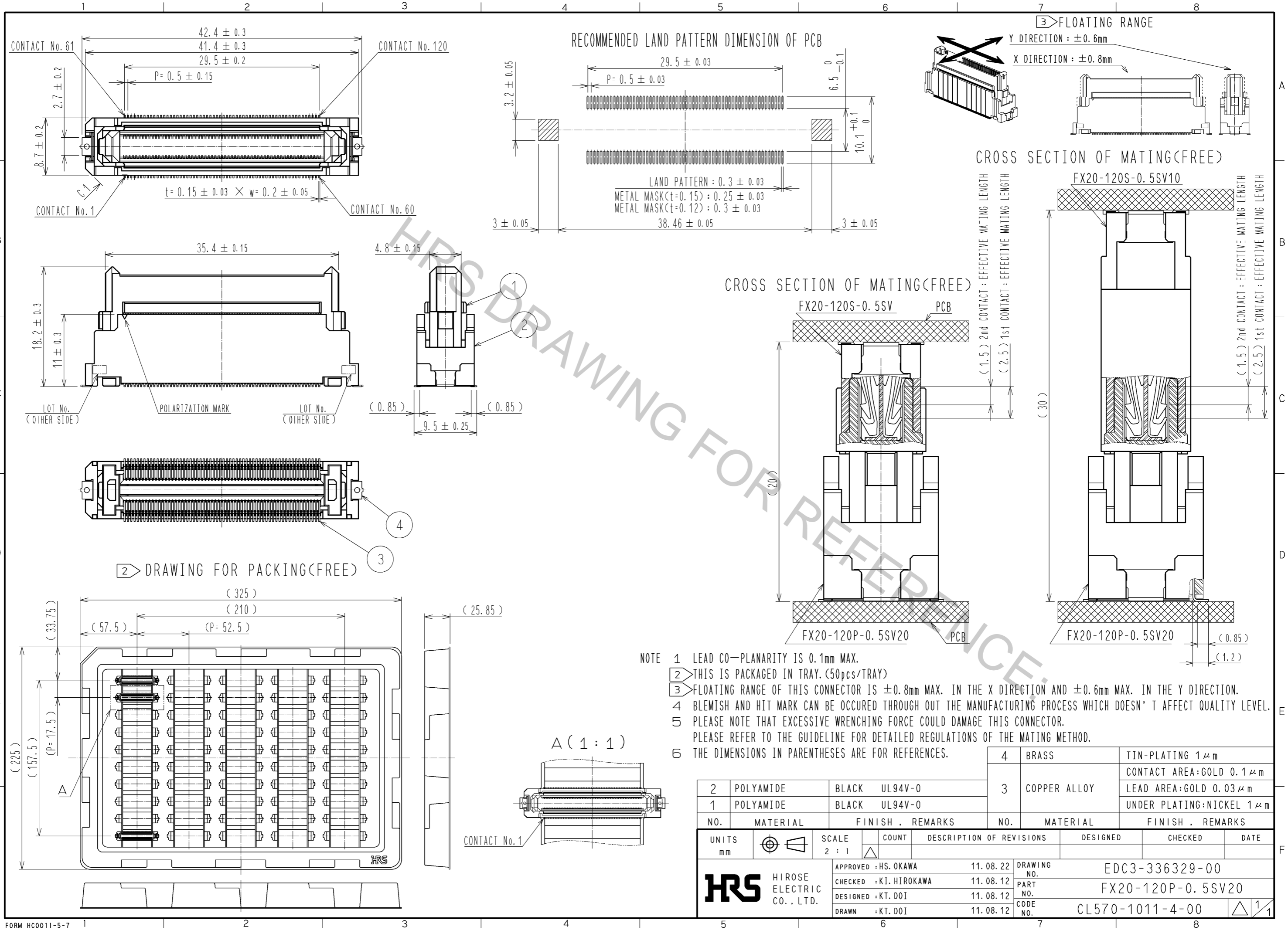
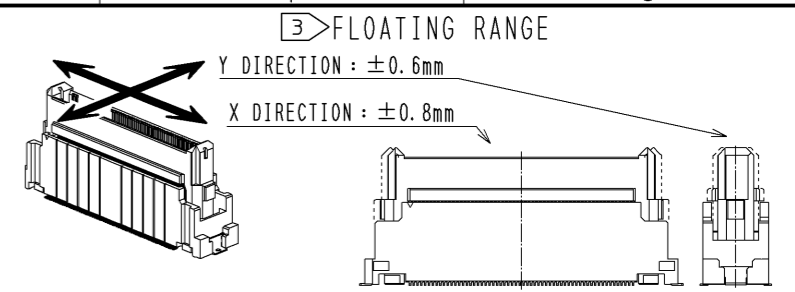
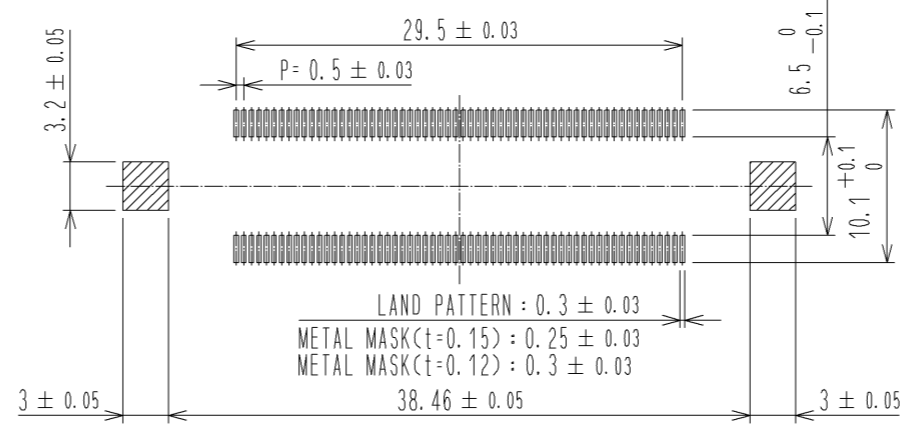


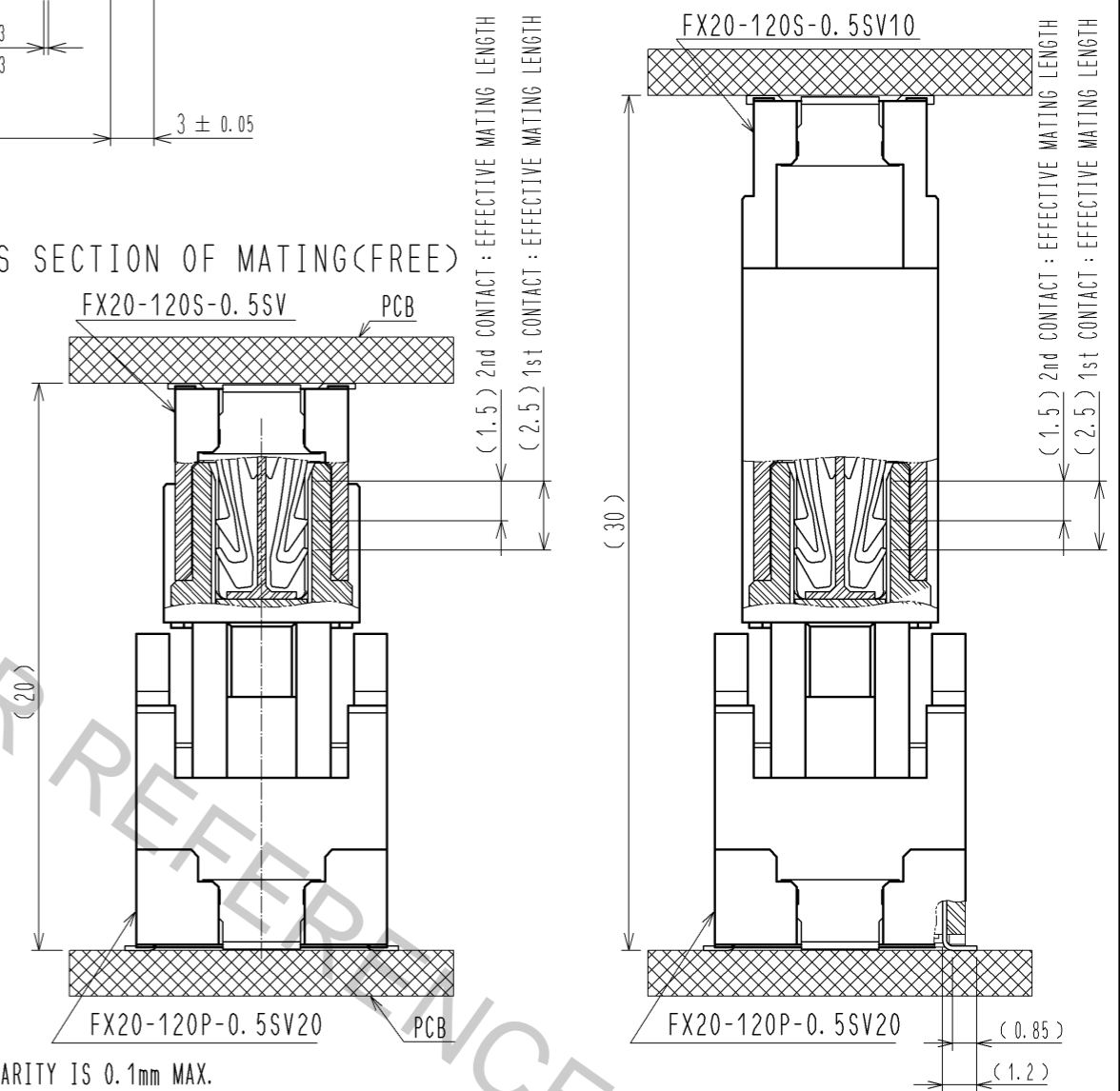
Aug.1.2016 Copyright 2016 HIROSE ELECTRIC CO., LTD. All Rights Reserved.



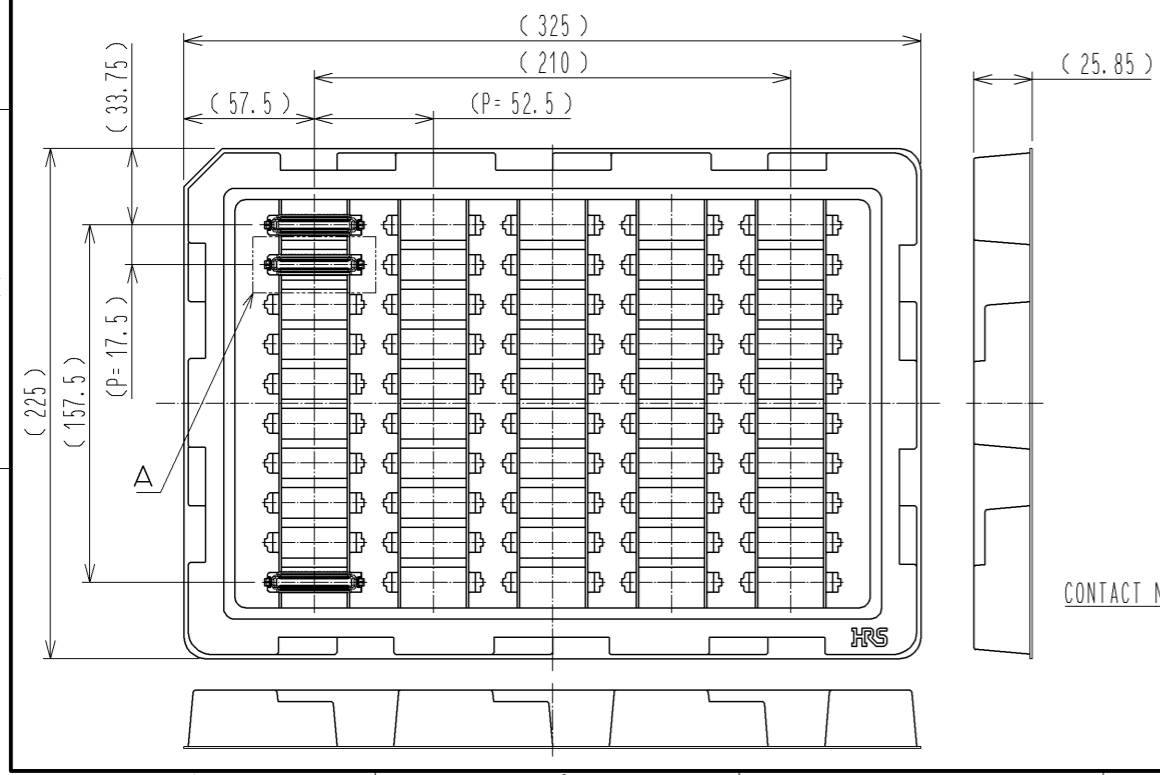
RECOMMENDED LAND PATTERN DIMENSION OF PCB



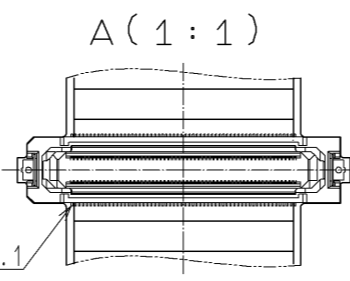
CROSS SECTION OF MATING(FREE)



2 DRAWING FOR PACKING(FREE)



- NOTE
- 1 LEAD CO-PLANARITY IS 0.1mm MAX.
  - 2 THIS IS PACKAGED IN TRAY. (50pcs/TRAY)
  - 3 FLOATING RANGE OF THIS CONNECTOR IS ±0.8mm MAX. IN THE X DIRECTION AND ±0.6mm MAX. IN THE Y DIRECTION.
  - 4 BLEMISH AND HIT MARK CAN BE OCCURED THROUGH OUT THE MANUFACTURING PROCESS WHICH DOESN' T AFFECT QUALITY LEVEL.
  - 5 PLEASE NOTE THAT EXCESSIVE WRENCHING FORCE COULD DAMAGE THIS CONNECTOR. PLEASE REFER TO THE GUIDELINE FOR DETAILED REGULATIONS OF THE MATING METHOD.
  - 6 THE DIMENSIONS IN PARENTHESES ARE FOR REFERENCES.



2	POLYAMIDE	BLACK	UL94V-0	4	BRASS	TIN-PLATING 1 μm
1	POLYAMIDE	BLACK	UL94V-0	3	COPPER ALLOY	CONTACT AREA:GOLD 0.1 μm LEAD AREA:GOLD 0.03 μm UNDER PLATING:NICKEL 1 μm
NO.	MATERIAL	FINISH	REMARKS	NO.	MATERIAL	FINISH . REMARKS
UNITS mm				SCALE 2 : 1		
APPROVED : HS. OKAWA 11.08.22				DRAWING NO. EDC3-336329-00		
CHECKED : KI. HIROKAWA 11.08.12				PART NO. FX20-120P-0.5SV20		
DESIGNED : KT. DOI 11.08.12				CODE NO. CL570-1011-4-00		
DRAWN : KT. DOI 11.08.12				DATE		
HRS HIROSE ELECTRIC CO., LTD.				DESIGNED CHECKED DATE		