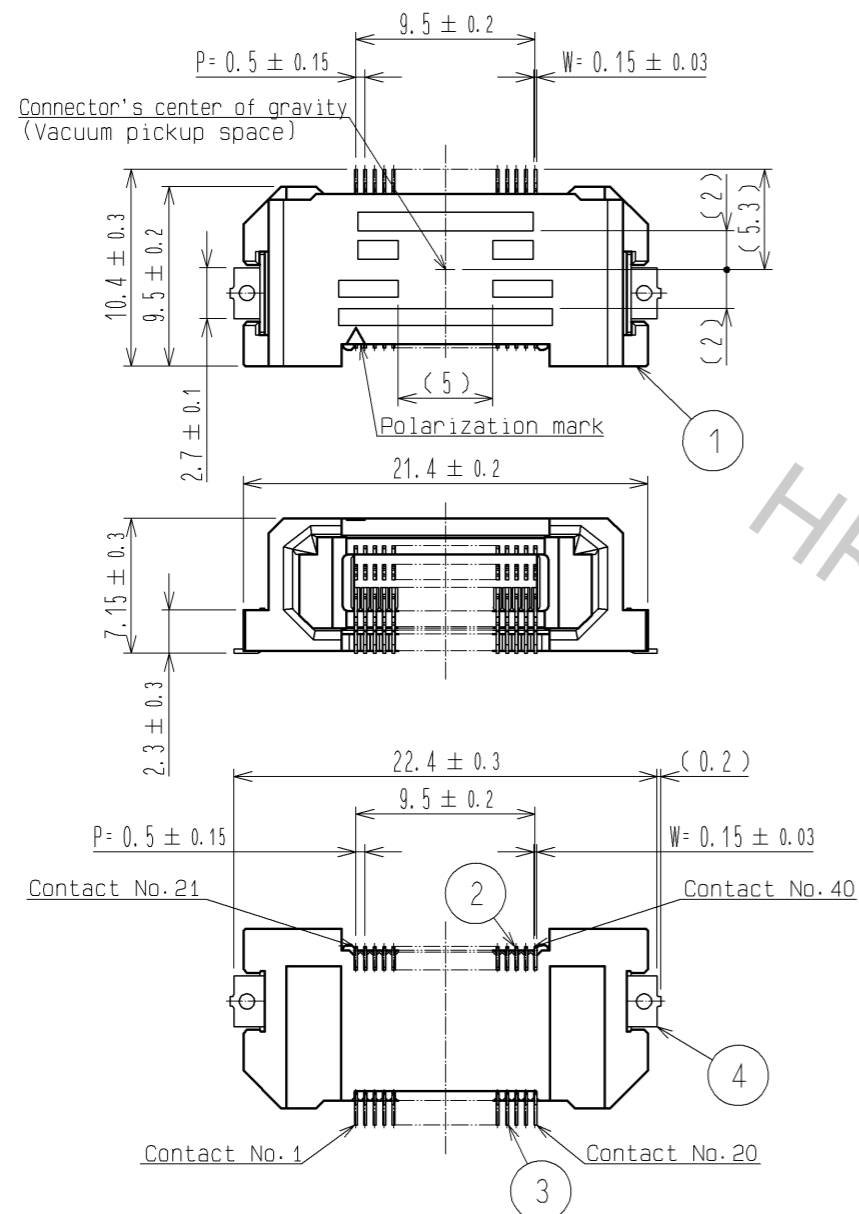
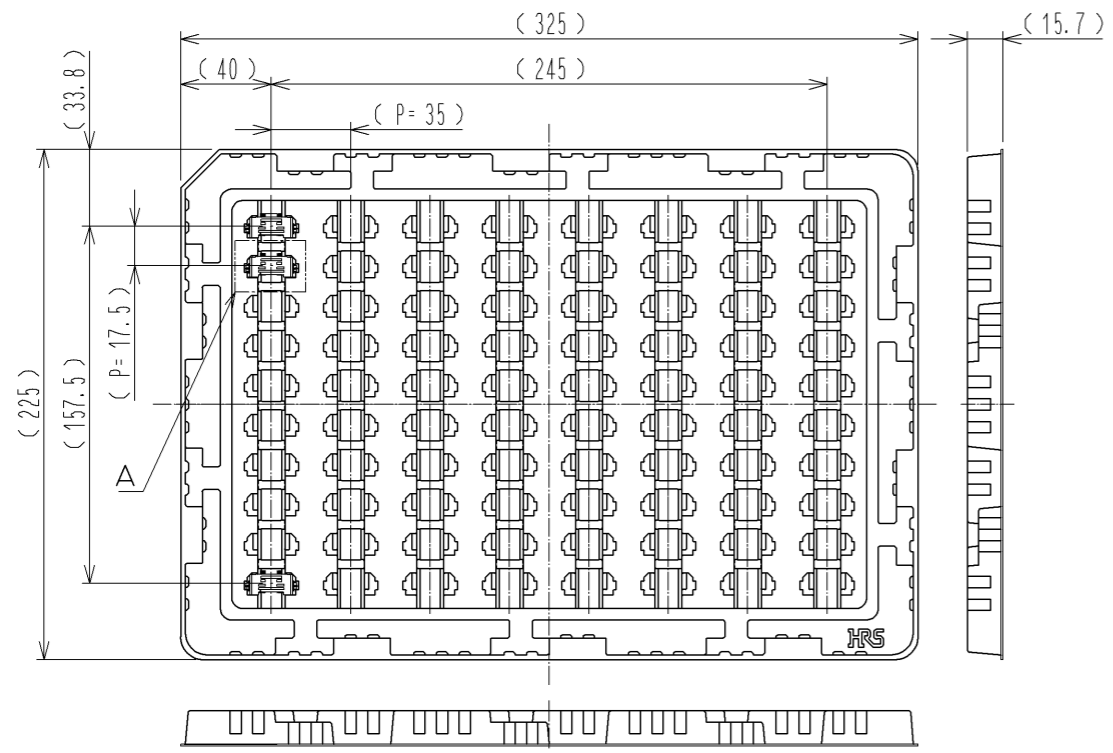


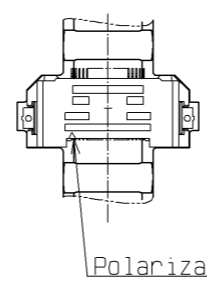
Aug.1.2016 Copyright 2016 HIROSE ELECTRIC CO., LTD. All Rights Reserved.



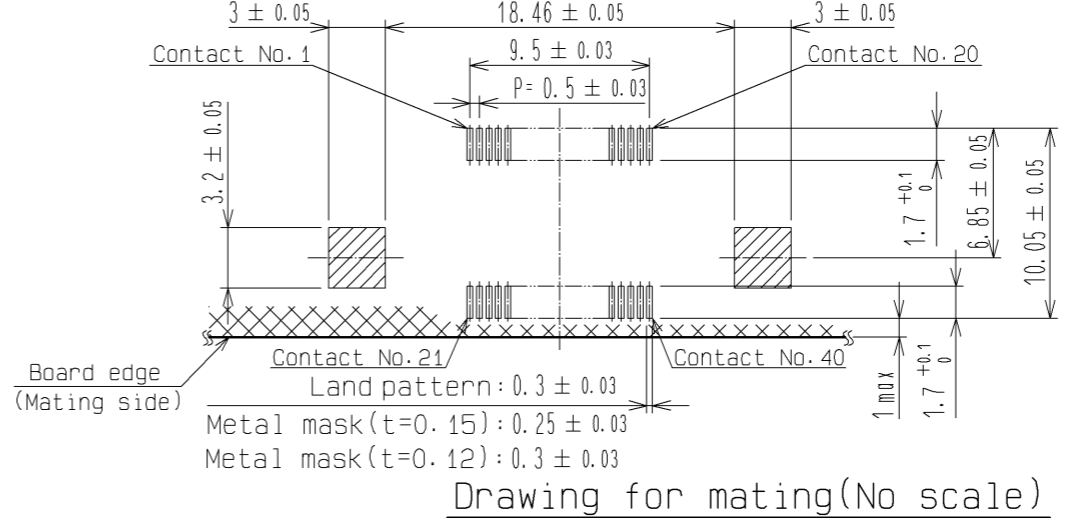
2 Drawing for packing (No scale)



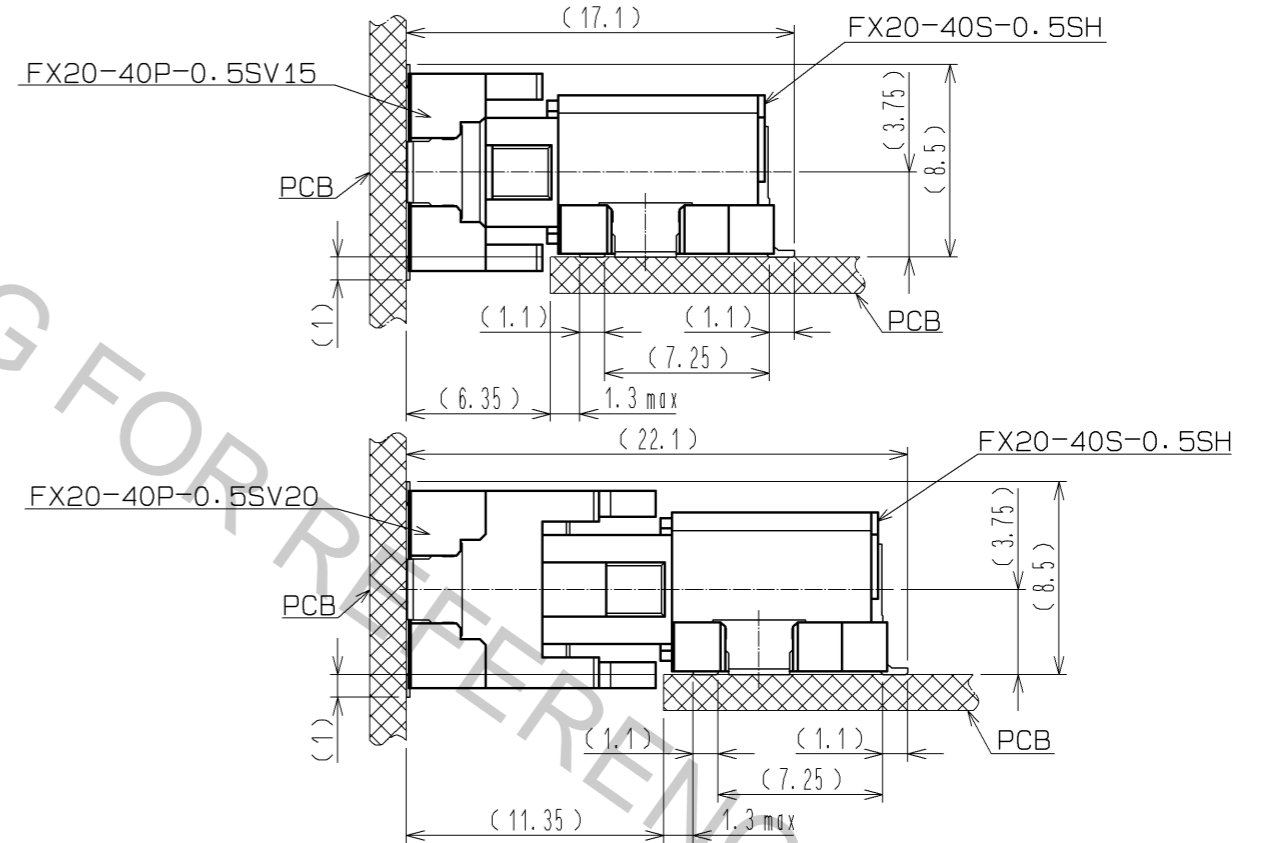
A (1:1)



5 Recommended land pattern dimension of PCB



Drawing for mating (No scale)



- 1 Lead CO-Planarity is 0.1mm MAX.
- 2 This is packaged in tray. (80pcs/tray)
- 3 Blemish and hit mark can be occurred through out the manufacturing process which dosen't affect quality level.
- 4 Please note that excessive wrenching force could damage this connector. Please refer to the guideline for detailed regulations of the mating method.
- 5 No prohibited area for printing pattern or via hole. PCB resist can be printed optionally.
- 6 The dimensions in parentheses are for references.

1	LCP	BLACK UL94V-0	4	BRASS	TIN-PLATING 1 μm
			2.3	PHOSPHOR BRONZE	CONTACT AREA: GOLD 0.1 μm
					LEAD AREA: GOLD 0.03 μm
					UNDER PLATING: NICKEL 1 μm
NO.	MATERIAL	FINISH . REMARKS	NO.	MATERIAL	FINISH . REMARKS
UNITS	mm	SCALE	2 : 1	COUNT	DESCRIPTION OF REVISIONS
					DESIGNED
					CHECKED
					DATE
APPROVED : HS. OKAWA			13.09.25		
CHECKED : KI. HIROKAWA			13.09.25		
DESIGNED : TS. OONO			13.09.25		
DRAWN : TS. OONO			13.09.25		
DRAWING NO.			EDC3-348426-00		
PART NO.			FX20-40S-0.5SH		
CODE NO.			CL570-1601-8-00		