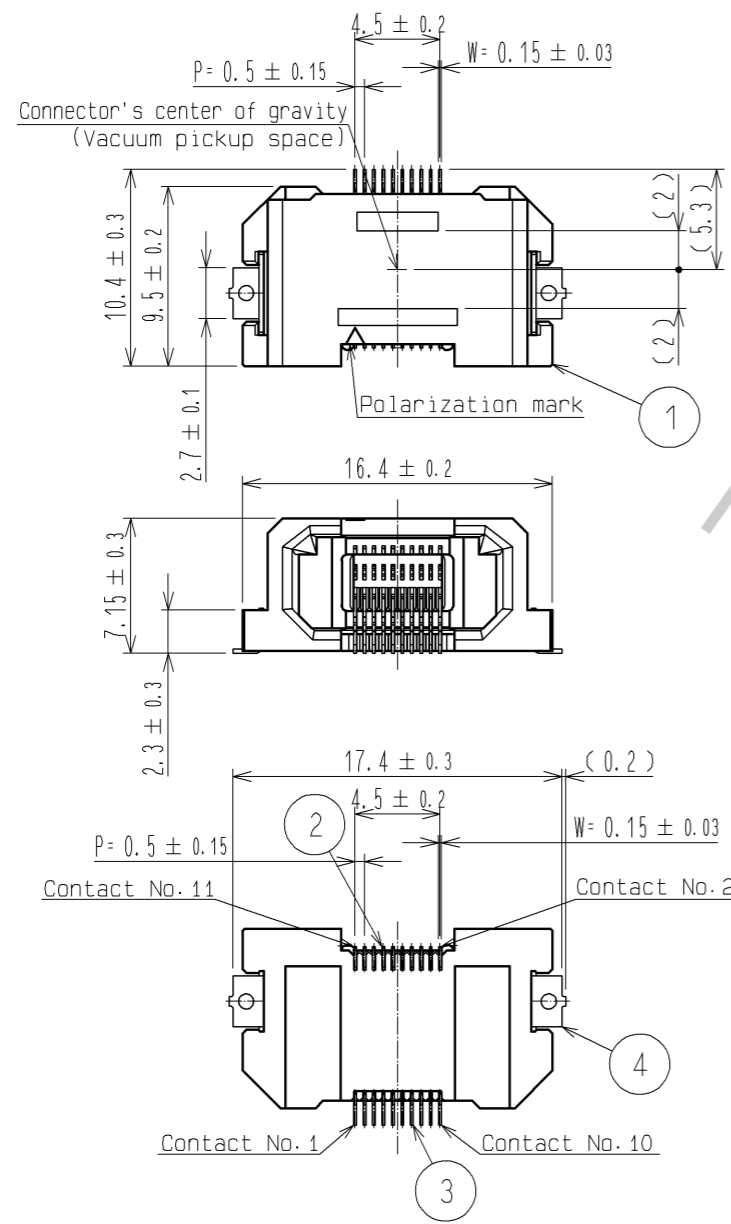
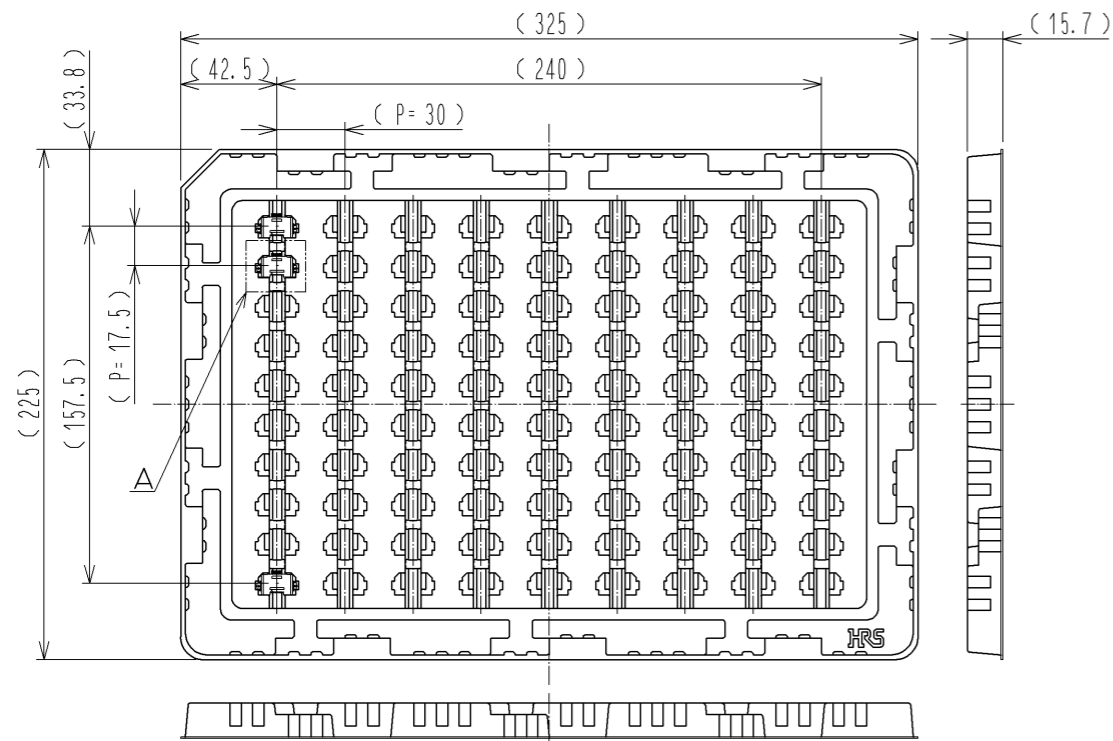


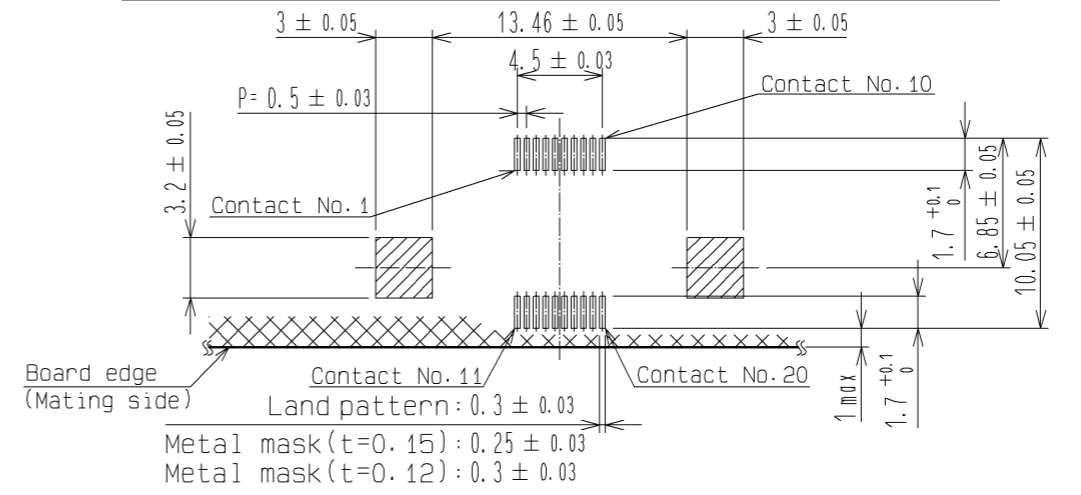
Aug.1.2016 Copyright 2016 HIROSE ELECTRIC CO., LTD. All Rights Reserved.



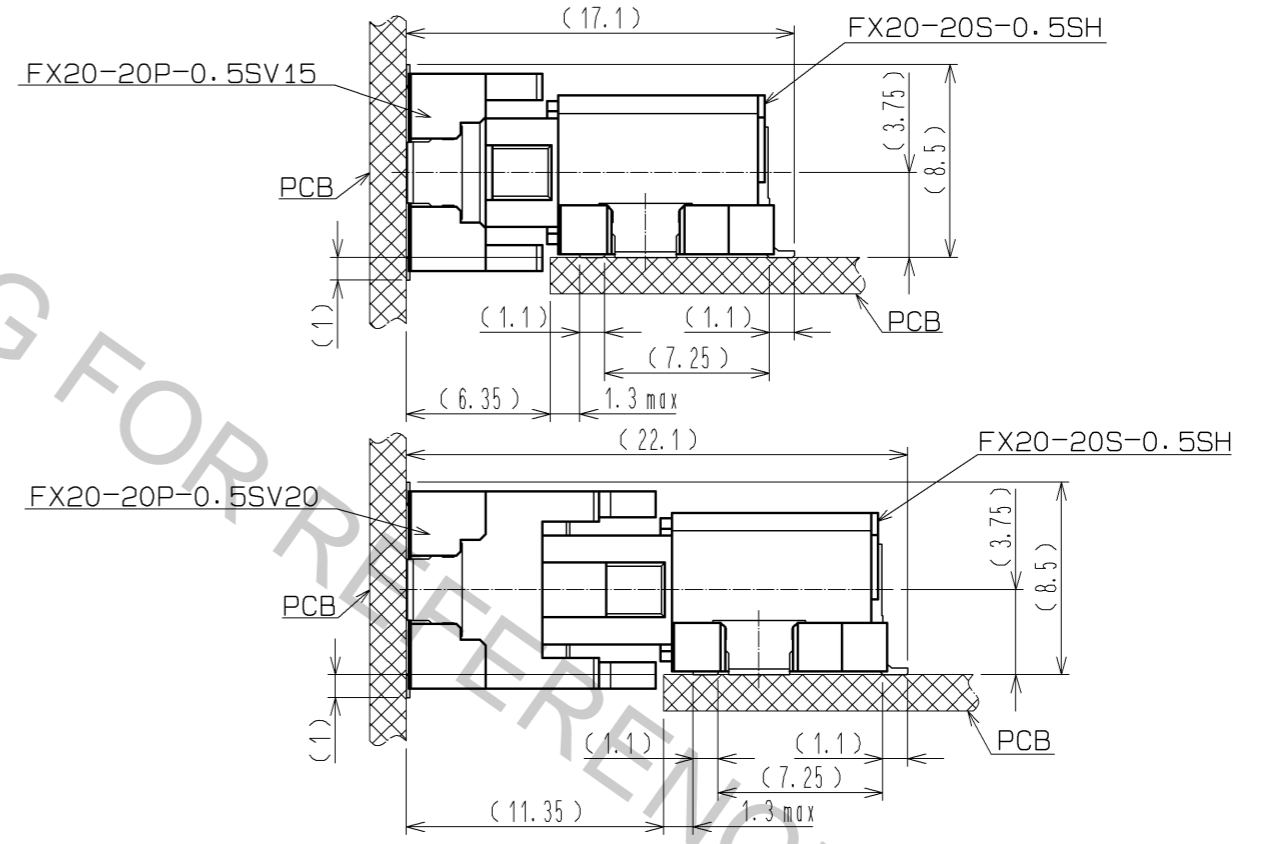
2 Drawing for packing (No scale)



5 Recommended land pattern dimension of PCB



Drawing for mating (No scale)



- 1 Lead CO-Planarity is 0.1mm MAX.
- 2 This is packaged in tray. (90pcs/tray)
- 3 Blemish and hit mark can be occurred through out the manufacturing process which dosen't affect quality level.
- 4 Please note that excessive wrenching force could damage this connector. Please refer to the guideline for detailed regulations of the mating method.
- 5 No prohibited area for printing pattern or via hole. PCB resist can be printed optionally.
- 6 The dimensions in parentheses are for references.

1	LCP	BLACK UL94V-0	4	BRASS	TIN-PLATING 1 μm
			2.3	PHOSPHOR BRONZE	CONTACT AREA:GOLD 0.1 μm
					LEAD AREA:GOLD 0.03 μm
					UNDER PLATING:NICKEL 1 μm
NO.	MATERIAL	FINISH . REMARKS	NO.	MATERIAL	FINISH . REMARKS
UNITS	⊙	SCALE	COUNT	DESCRIPTION OF REVISIONS	DESIGNED
mm		2 : 1	△		CHECKED
HRS		APPROVED : HS. OKAWA	13.09.25	DRAWING NO. EDC3-350411-00	
HIROSE ELECTRIC CO., LTD.		CHECKED : KI. HIROKAWA	13.09.25	PART NO. FX20-20S-0.5SH	
		DESIGNED : TS. OONO	13.09.25	CODE NO. CL570-1611-1-00	
		DRAWN : TS. OONO	13.09.25		