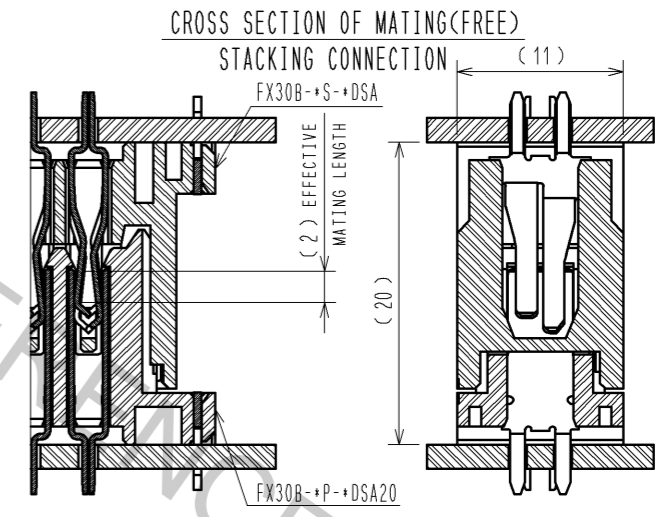
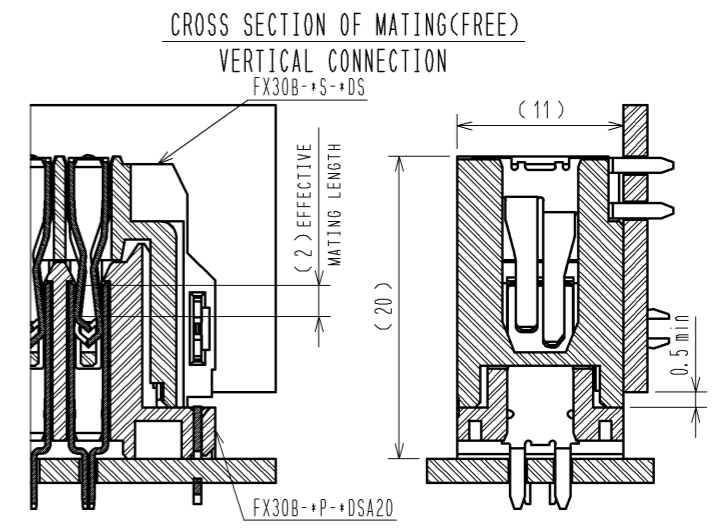
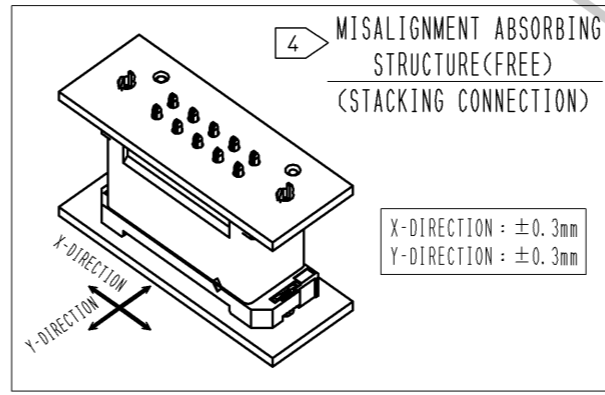
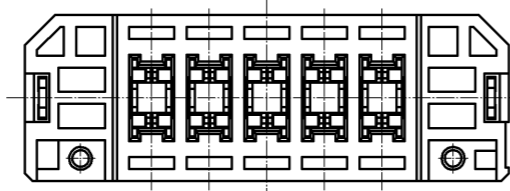
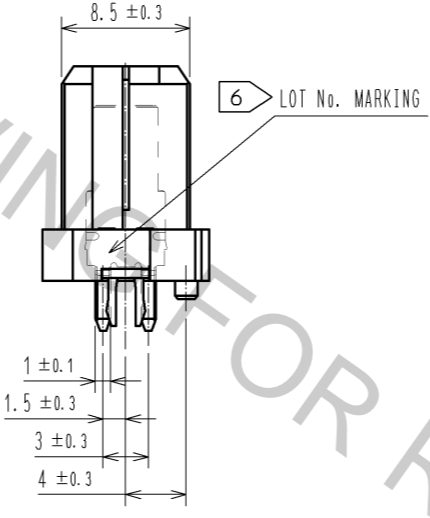
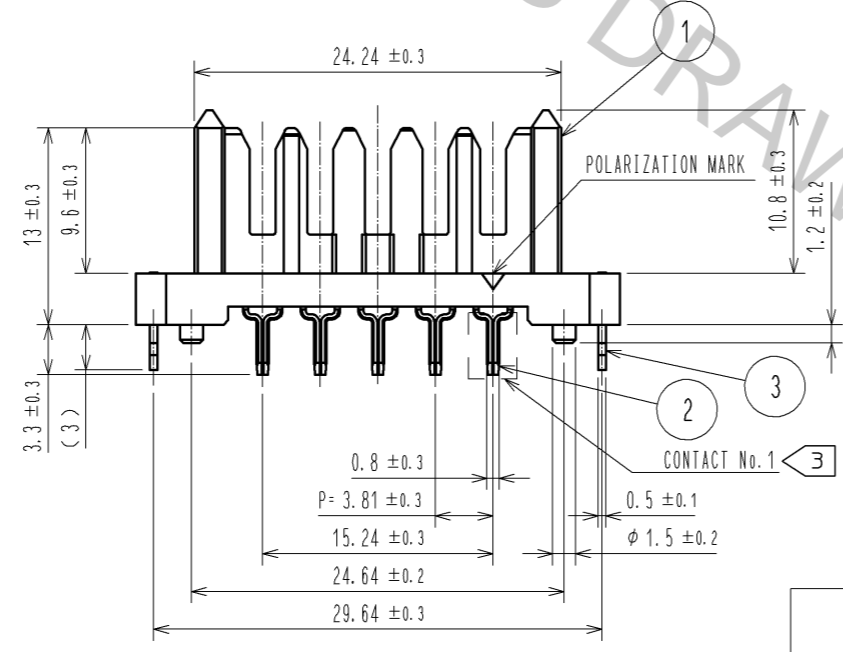
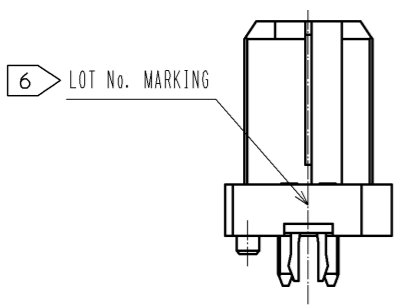
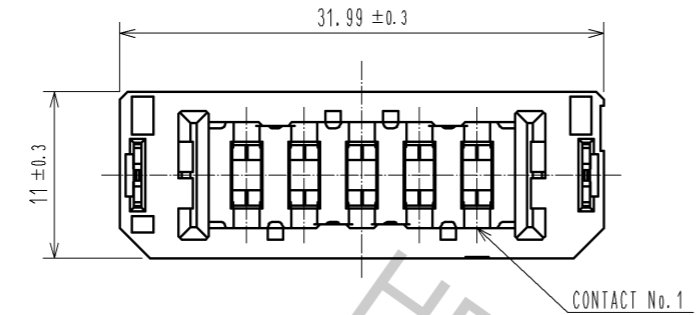


Aug.1.2016 Copyright 2016 HIROSE ELECTRIC CO., LTD. All Rights Reserved.

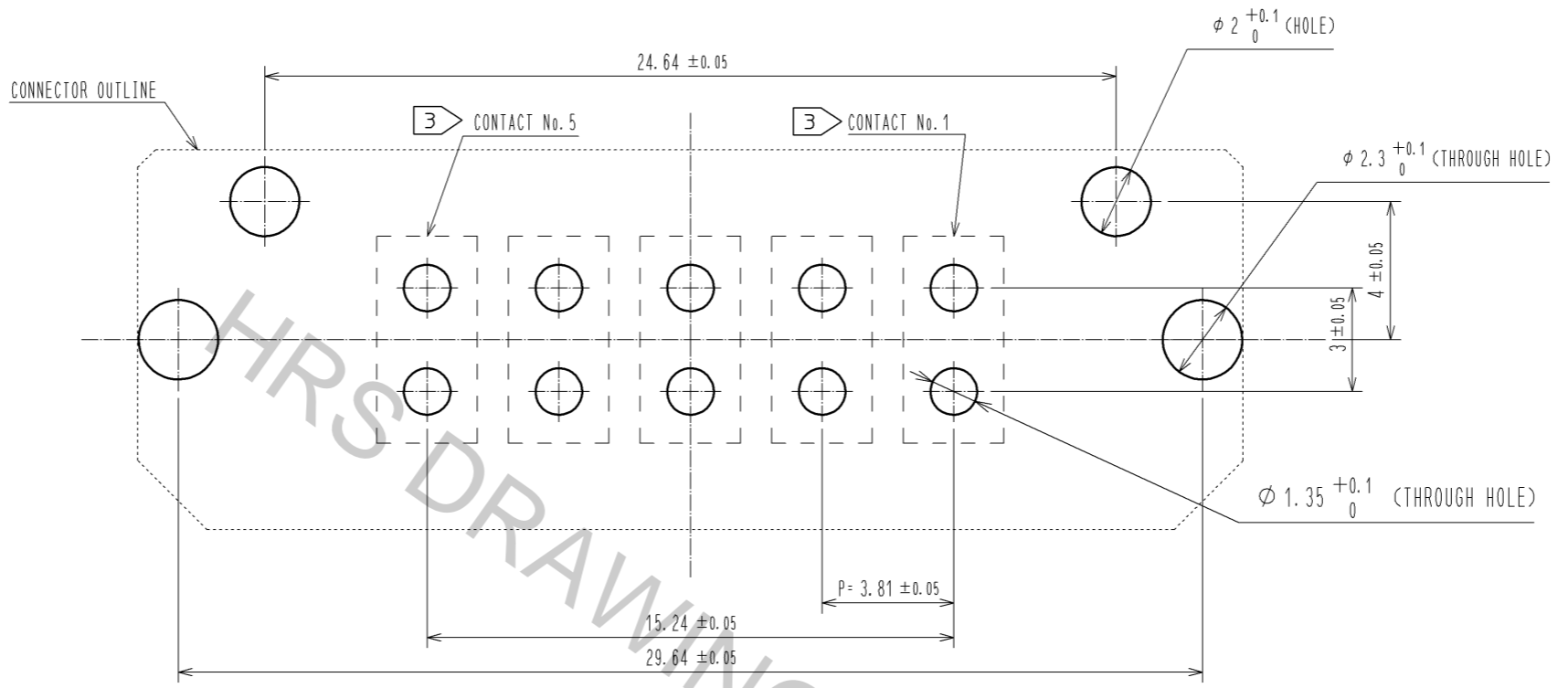


- NOTE
- 1 THIS PRODUCT IS PACKAGED IN TRAY. (35pcs/TRAY)
  - 2 BLEMISH AND HIT MARK CAN BE OCCURED THROUGH OUT THE MANUFACTURING PROCESS WHICH DOESN'T AFFECT QUALITY LEVEL. ALSO, BLACK SPOT COULD BE OBSERVED ON THE SURFACE OF HOUSING.
  - 3 FOR THE CONTACT NO., ADJACENT TWO PAIRS OF LEADS PLACED BACK-TO-BACK (4 LEADS IN TOTAL) COMPOSE ONE LINE.
  - 4 MISALIGNMENT ABSORBING RANGE: ± 0.3mm max.
  - 5 THE DIMENSION IN PARENTHESES ARE FOR REFERENCES.
  - 6 LOT NO. IS INDICATED AT EITHER ONE OF THE POSITION AS SHOWN.

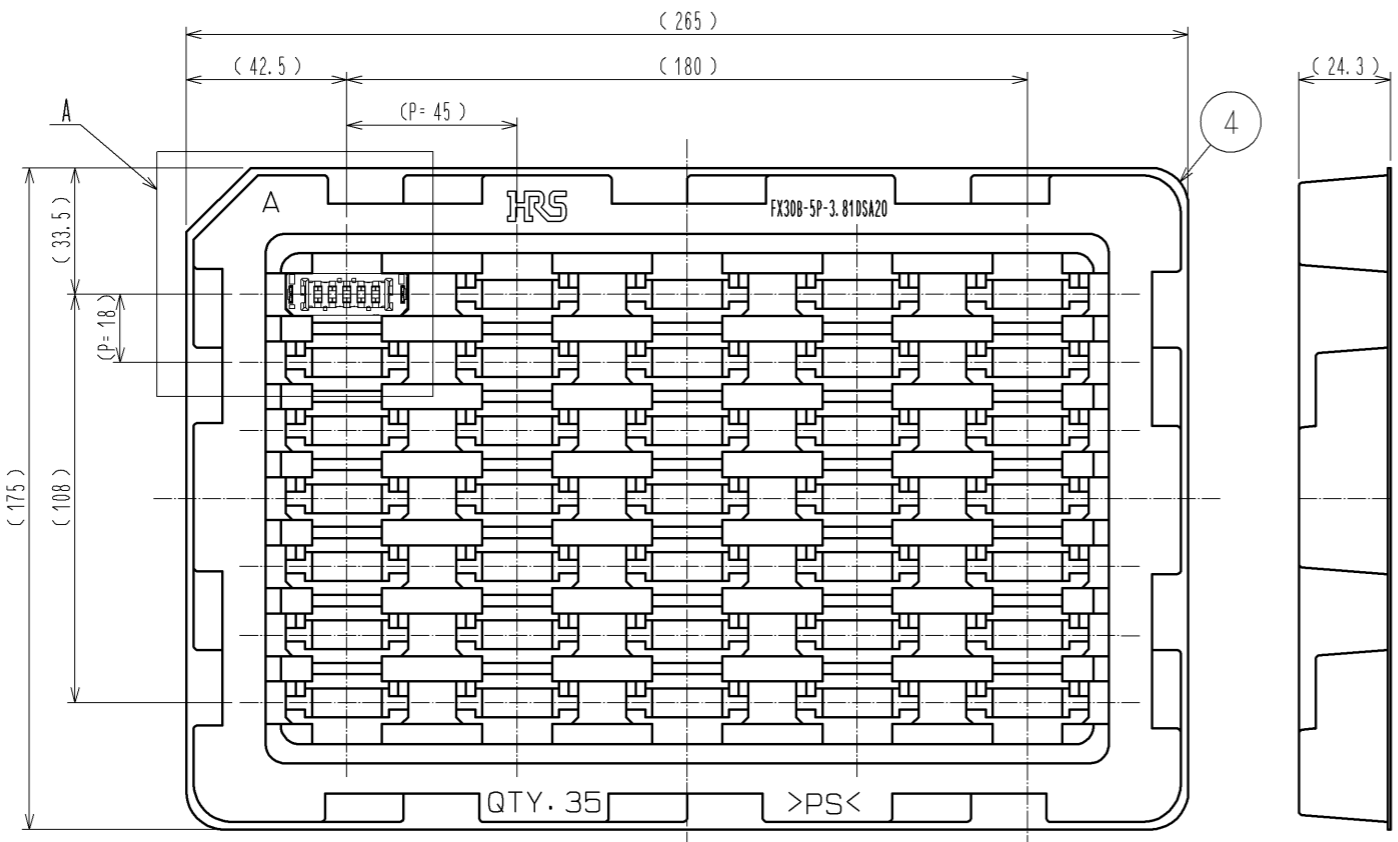
2	COPPER ALLOY	CONTACT AREA:GOLD-PLATING 0.1 μm	4	POLYSTYRENE	TIN-PLATING 3.0 μm			
		LEAD AREA:TIN-PLATING 1.0 μm			3	PHOSPHOR BRONZE	UNDER PLATING:NICKEL 1.0 μm	
		UNDER PLATING:NICKEL 1.0 μm					BLACK UL94V-0	UNDER PLATING:NICKEL 1.0 μm
1	POLYAMIDE	FINISH . REMARKS	NO.	MATERIAL	FINISH . REMARKS			
UNITS mm		SCALE 2 : 1	COUNT 2	DESCRIPTION OF REVISIONS DIS-F-006956		DESIGNED DK. AIMOTO	CHECKED KI. HIROKAWA	DATE 13. 08. 26
<b>HRS</b> HIROSE ELECTRIC CO., LTD.		APPROVED : HS. OKAWA	13. 03. 13	DRAWING NO. EDC3-347258-00				
		CHECED : KI. HIROKAWA	13. 03. 12	PART NO. FX30B-5P-3. 81DSA20				
		DESIGNED : DK. AIMOTO	13. 03. 11	CODE NO. CL570-3103-1-00				
		DRAWN : DK. AIMOTO	13. 03. 11					

Aug.1.2016 Copyright 2016 HIROSE ELECTRIC CO., LTD. All Rights Reserved.

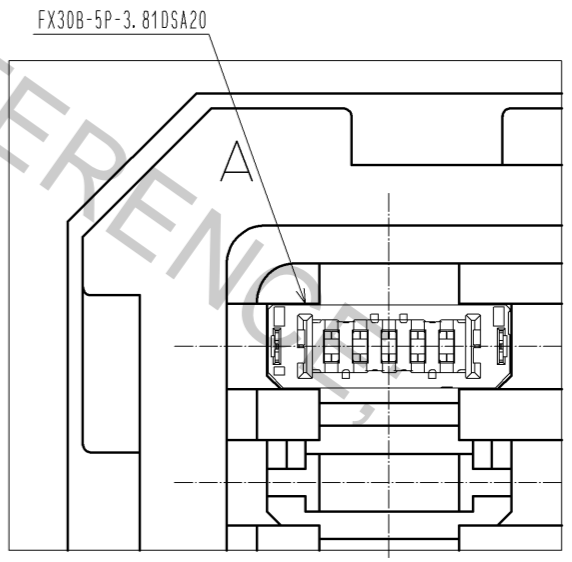
RECOMMENDED HOLE PATTERN DIMENSION OF PCB(5:1)  
 (CONNECTOR MOUNTING SIDE, PCB THICKNESS:t=1.6mm)



1 DRAWING FOR PACKAGING(1:2)



A(1:1)



<b>HRS</b>	DRAWING NO.	EDC3-347258-00	2/2
	PART NO.	FX30B-5P-3.81DSA20	
	CODE NO.	CL570-3103-1-00	