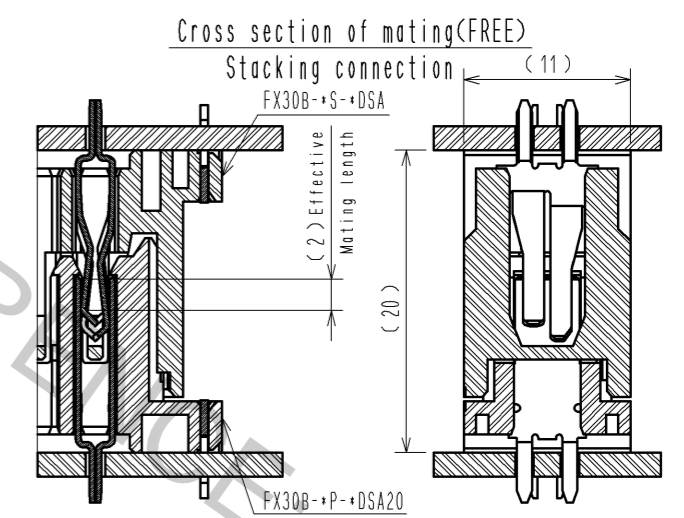
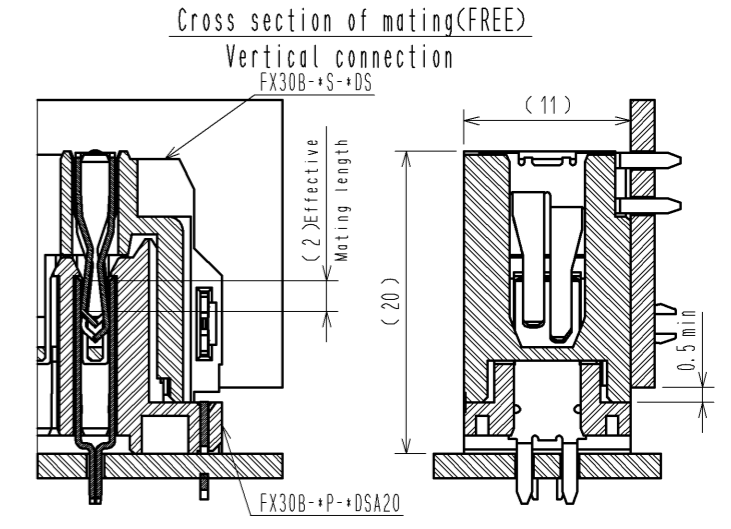
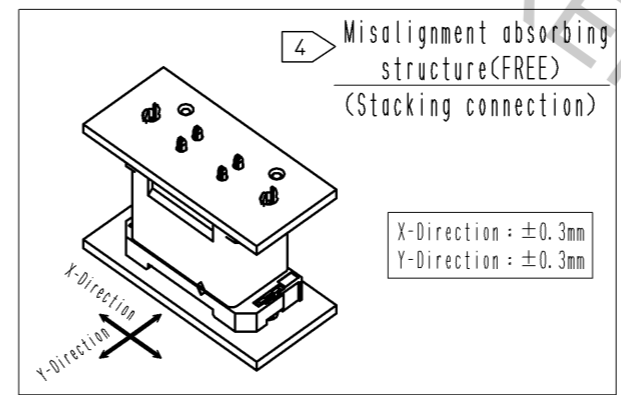
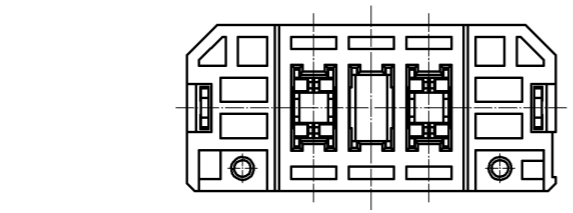
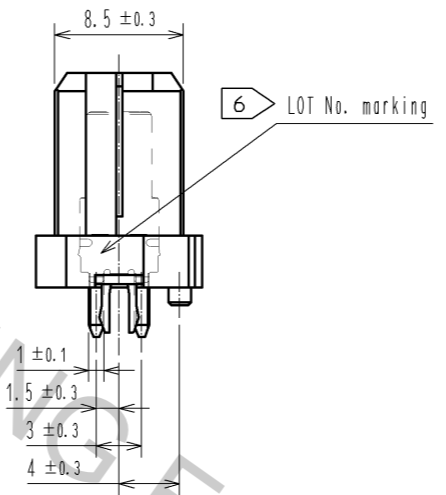
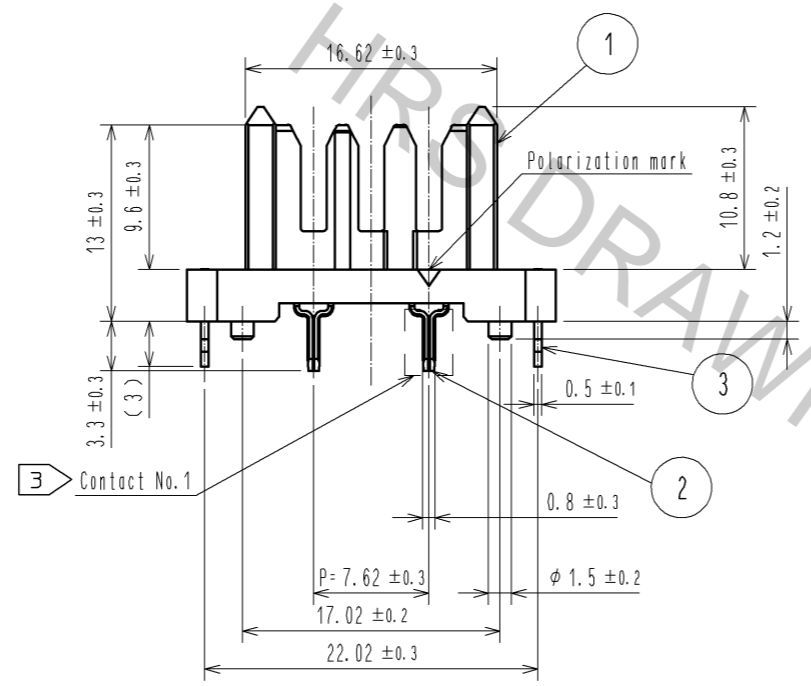
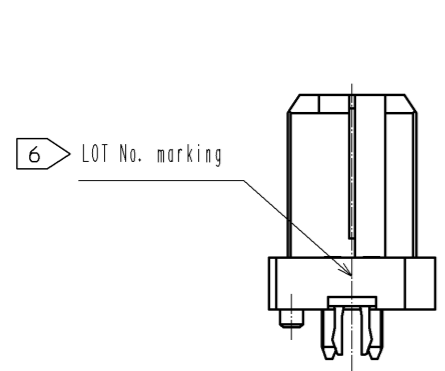
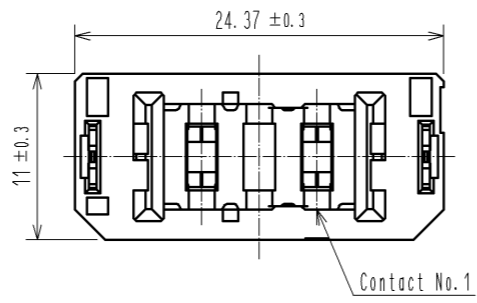


Aug.1.2016 Copyright 2016 HIROSE ELECTRIC CO., LTD. All Rights Reserved.

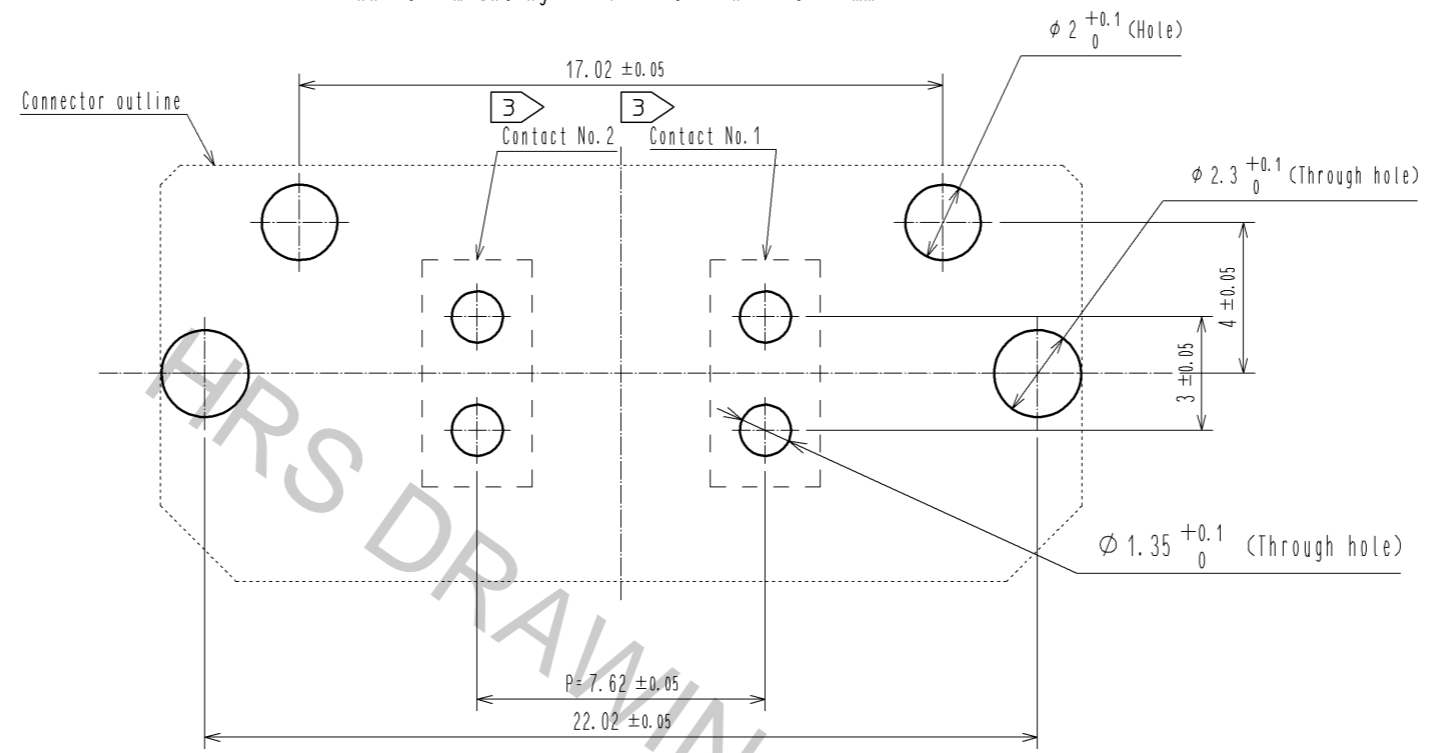


- NOTE
- 1 This product is packaged in tray. (42pcs/tray)
 - 2 Blemish and hit mark can be occurred through out the manufacturing process which doesn't affect quality level. Also, black spot could be observed on the surface of housing.
 - 3 For the contact NO., adjacent two pairs of leads placed back-to-back (4 leads in total) Compose one line.
 - 4 Misalignment absorbing range: ±0.3mm max.
 - 5 The dimension in parentheses are for references.
 - 6 Lot NO. is indicated at either one of the position as shown.

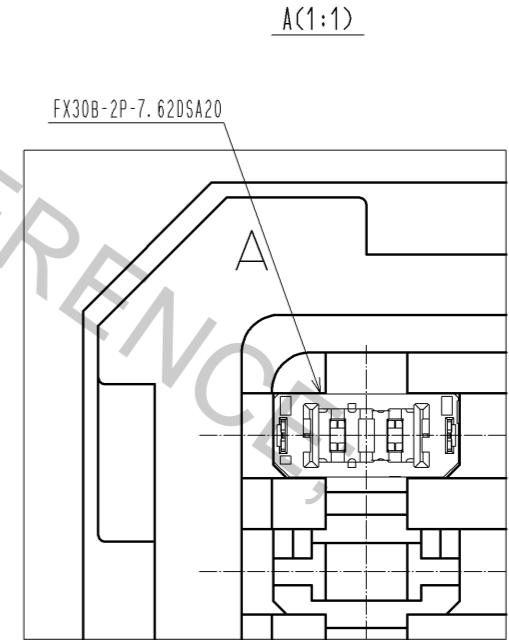
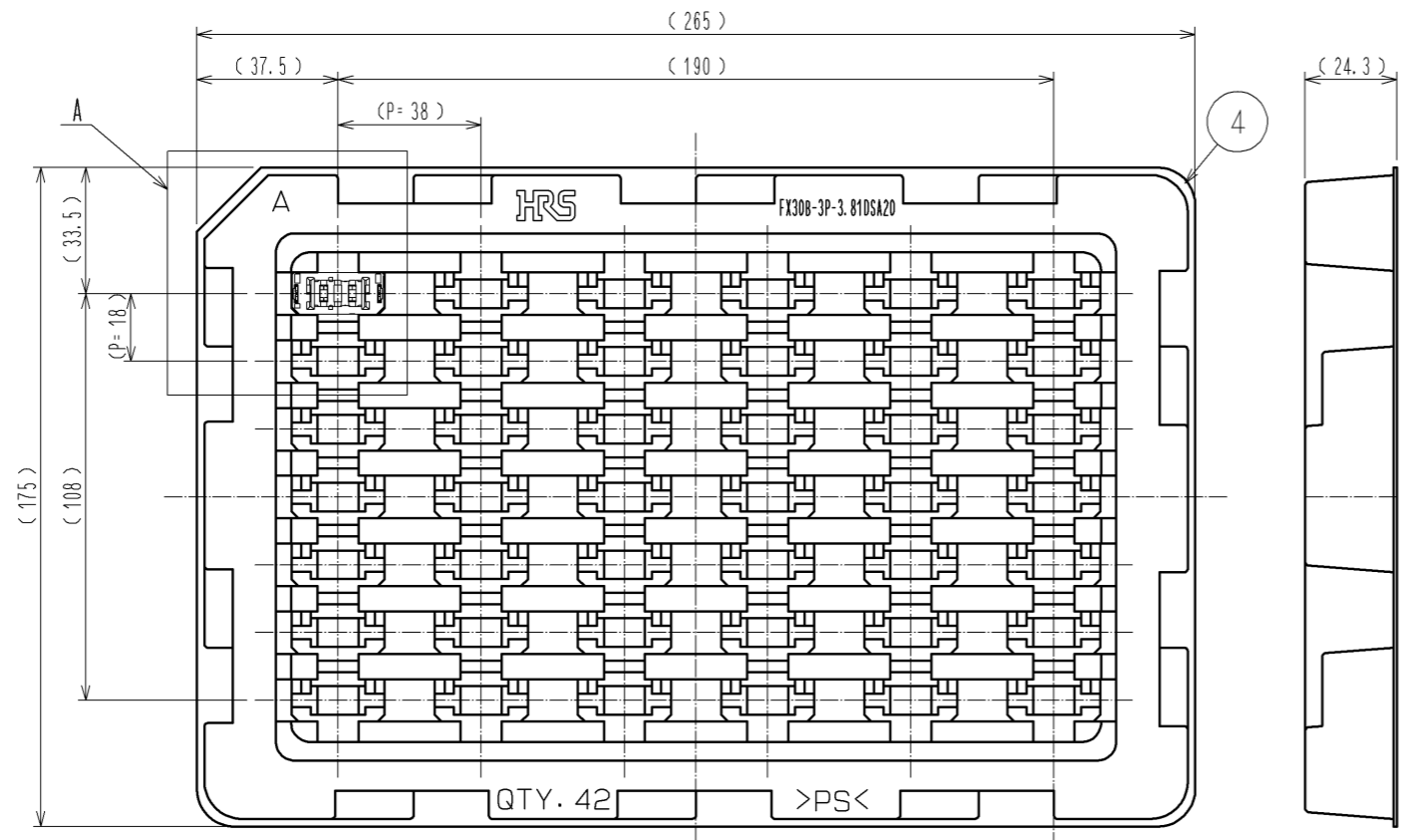
2	Copper alloy	Contact area:Gold-plating 0.1μm		4	Polystyrene				
		Lead area:Tin-plating 1.0μm				3	Phosphor bronze	Tin-plating 3.0μm	
		Under plating:Nickel 1.0μm						Under plating:Nickel 1.0μm	
1	Polyamide	Black UL94V-0							
NO.	MATERIAL	FINISH . REMARKS		NO.	MATERIAL	FINISH . REMARKS			
UNITS mm		SCALE 2 : 1	COUNT 	DESCRIPTION OF REVISIONS		DESIGNED	CHECKED	DATE	
HRS HIROSE ELECTRIC CO., LTD.		APPROVED : HS. OKAWA	14. 09. 12	DRAWING NO.		EDC3-350409-00			
		CHECED : KN. SHIBUYA	14. 09. 12	PART NO.		FX30B-2P-7. 62DSA20			
		DESIGNED : DK. AIMOTO	14. 09. 12	CODE NO.		CL570-3104-4-00			
		DRAWN : DK. AIMOTO	14. 09. 12						

Aug.1.2016 Copyright 2016 HIROSE ELECTRIC CO., LTD. All Rights Reserved.

Recommended hole pattern dimension of PCB(5:1)
(Connector mounting side, PCB thickness:t=1.6mm)



1 Drawing for packaging(1:2)



HRS	DRAWING NO.	EDC3-350409-00	△ 2/2
	PART NO.	FX30B-2P-7.62DSA20	
	CODE NO.	CL570-3104-4-00	