

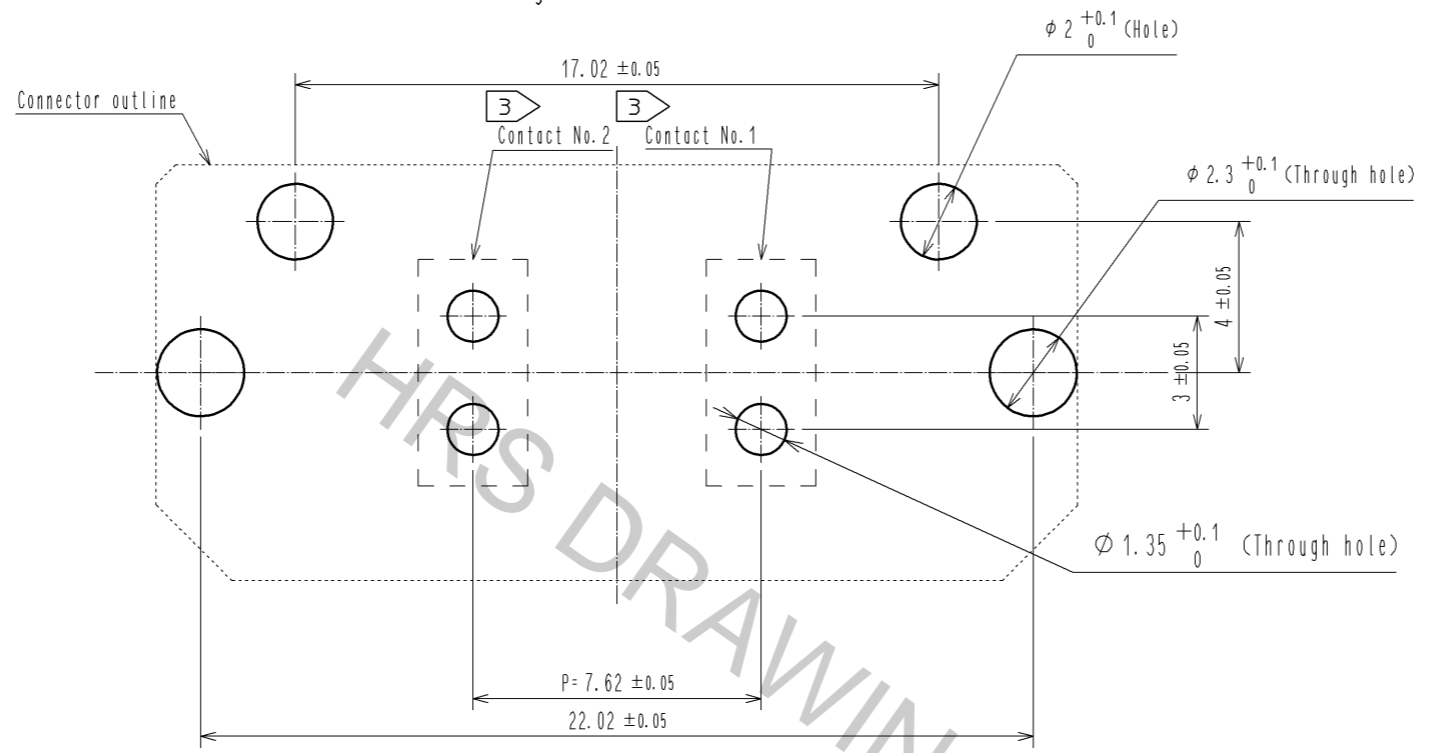
NOTE

- This product is packaged in tray. (42pcs/tray)
- Blemish and hit mark can be occurred through out the manufacturing process which doesn't affect quality level. Also, black spot could be observed on the surface of housing.
- For the contact NO., adjacent two pairs of leads placed back-to-back (4 leads in total) Compose one line.
- Misalignment absorbing range: $\pm 0.3 \text{ mm}$ max.
- The dimension in parentheses are for references.
- Lot NO. is indicated at either one of the position as shown.

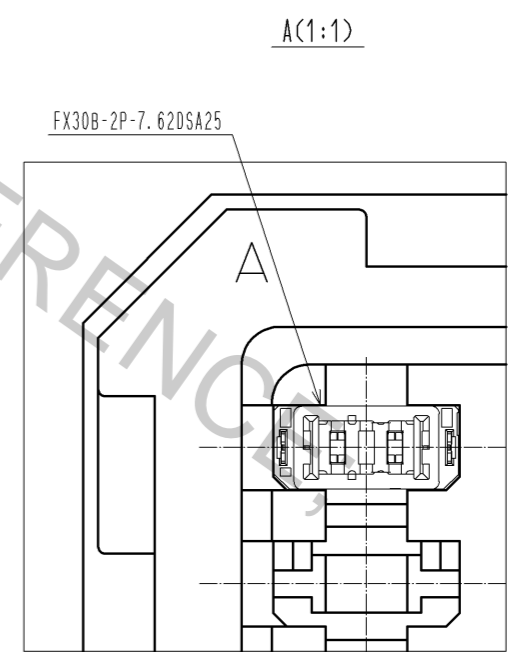
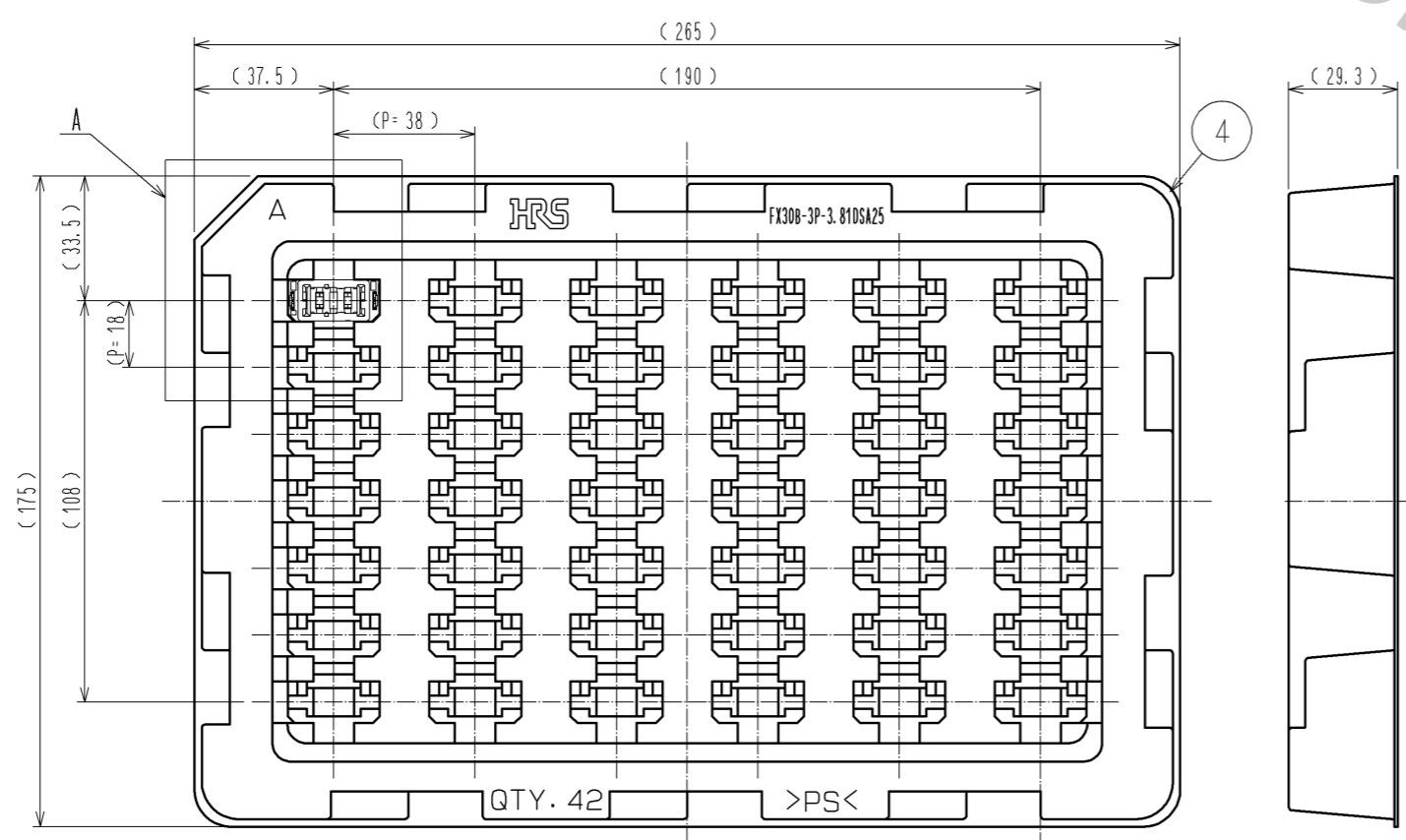
2	Copper alloy	Contact area:Gold-plating $0.1 \mu\text{m}$ Lead area:Tin-plating $1.0 \mu\text{m}$ Under plating:Nickel $1.0 \mu\text{m}$	4	Polystyrene	
1	Polyamide	Black UL94V-0	3	Phosphor bronze	Tin-plating $3.0 \mu\text{m}$ Under plating:Nickel $1.0 \mu\text{m}$
NO.	MATERIAL	FINISH . REMARKS	NO.	MATERIAL	FINISH . REMARKS
UNITS mm		SCALE 2 : 1	COUNT 	DESCRIPTION OF REVISIONS	
DESIGNED		CHECKED		DATE	
APPROVED : HS. OKAWA		14. 09. 12		DRAWING NO. EDC3-359158-00	
CHECED : KN. SHIBUYA		14. 09. 12		PART NO. FX30B-2P-7. 62DSA25	
DESIGNED : DK. AIMOTO		14. 09. 12		CODE NO. CL570-3205-1-00	
DRAWN : DK. AIMOTO		14. 09. 12			

Aug.1.2016 Copyright 2016 HIROSE ELECTRIC CO., LTD. All Rights Reserved.

Recommended hole pattern dimension of PCB(5:1)
 (Connector mounting side, PCB thickness:t=1.6mm)



1 Drawing for packaging(1:2)



HRS	DRAWING NO.	EDC3-359158-00	△ 2/2
	PART NO.	FX30B-2P-7.62DSA25	
	CODE NO.	CL570-3205-1-00	