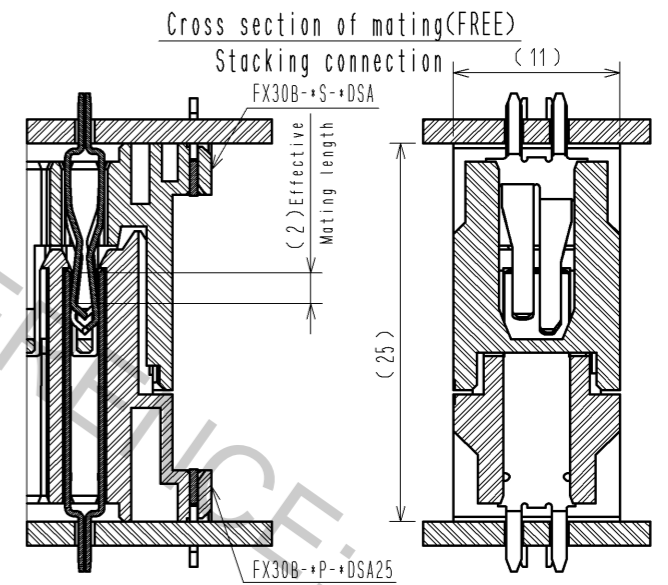
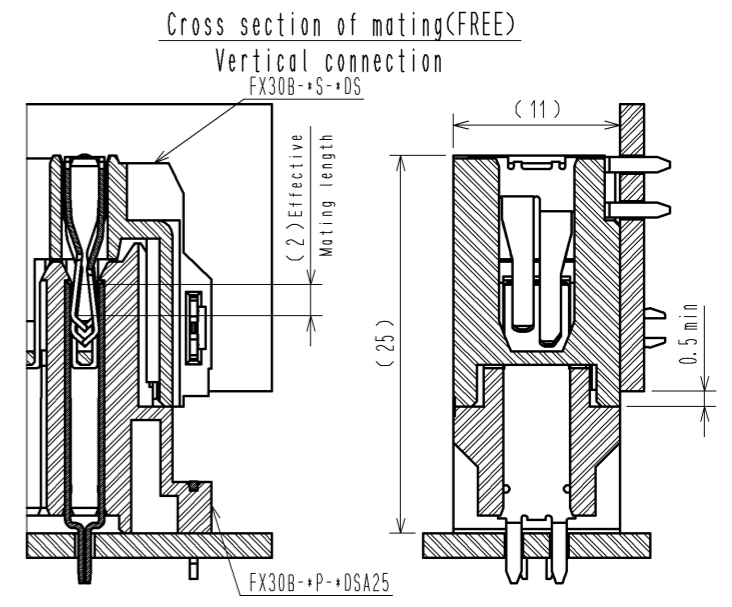
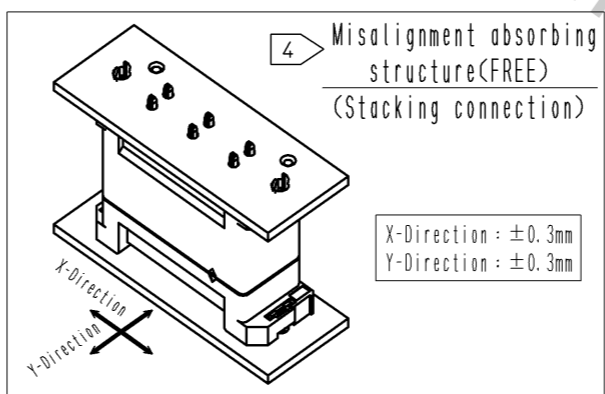
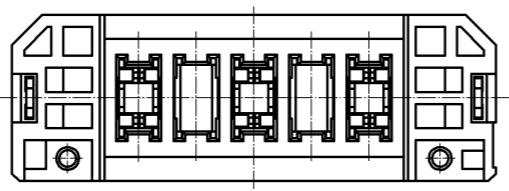
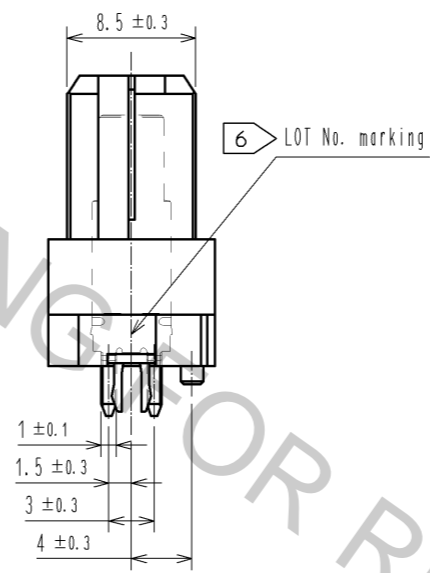
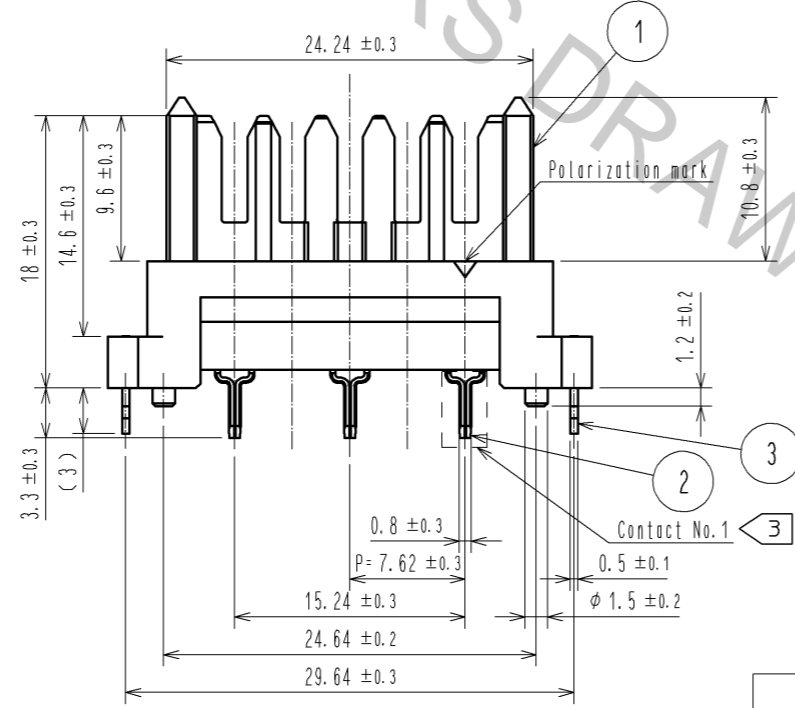
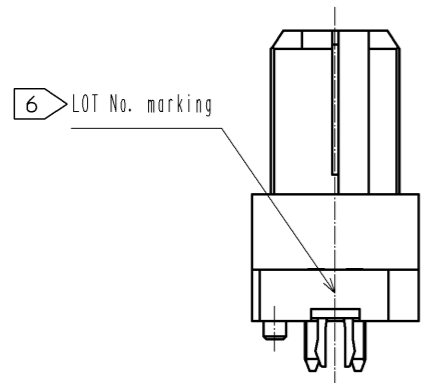
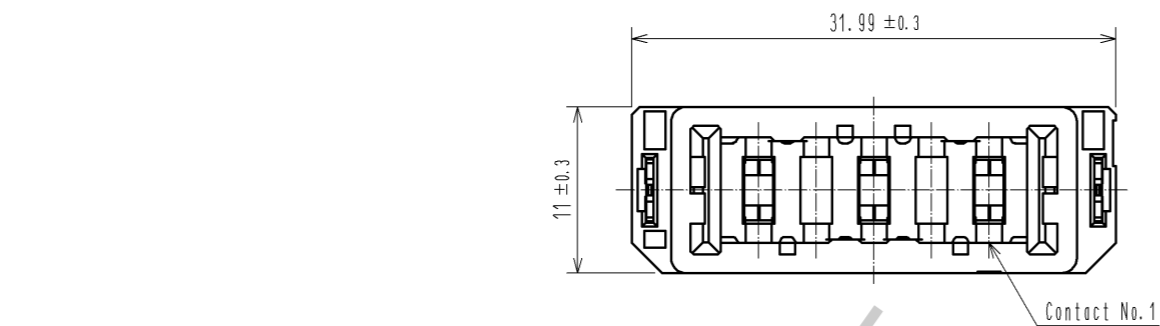


Aug.1.2016 Copyright 2016 HIROSE ELECTRIC CO., LTD. All Rights Reserved.

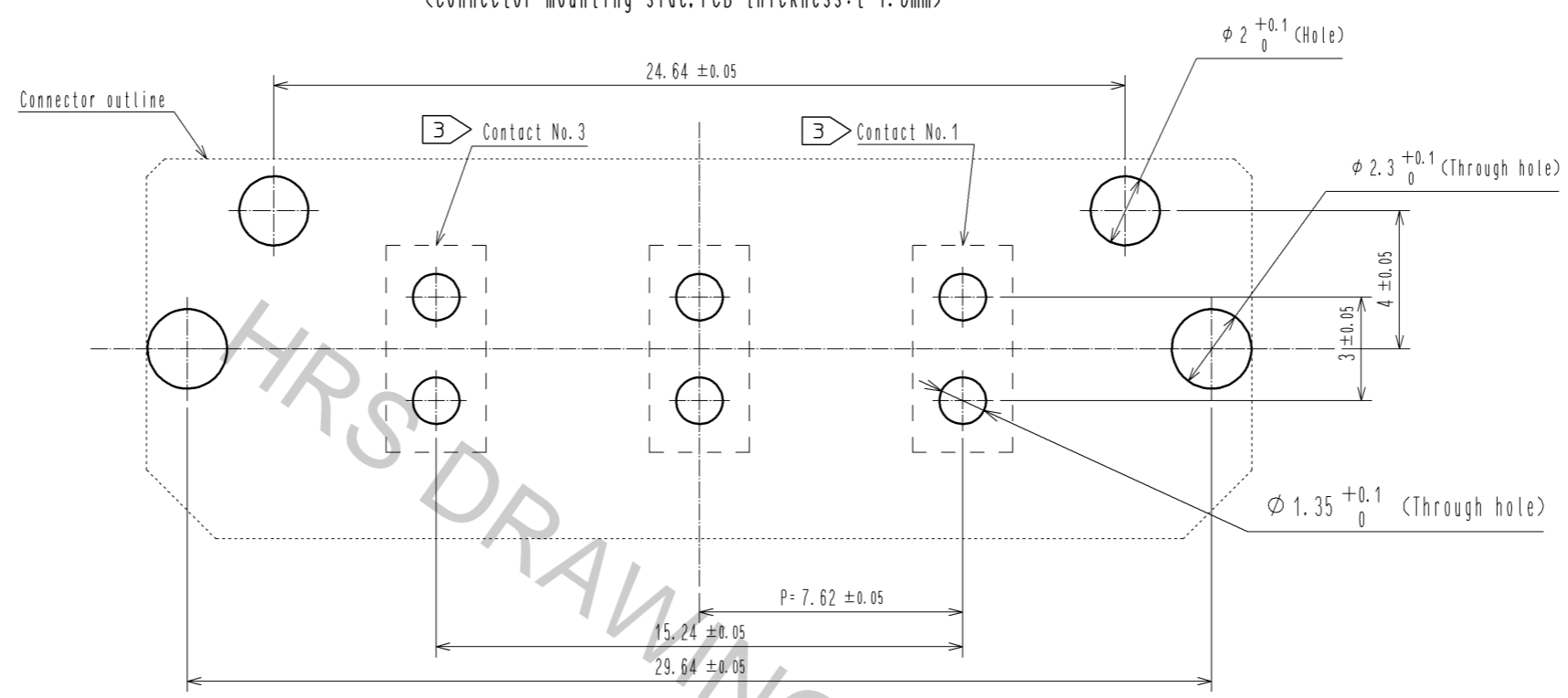


- NOTE
- 1 This product is packaged in tray. (35pcs/tray)
  - 2 Blemish and hit mark can be occurred through out the manufacturing process which dosen't affect quality level. Also, black spot could be observed on the surface of housing.
  - 3 For the contact NO., adjacent two pairs of leads placed back-to-back (4 leads in total) Compose one line.
  - 4 Misalignment absorbing range: ±0.3mm max.
  - 5 The dimension in parentheses are for references.
  - 6 Lot NO. is indicated at either one of the position as shown.

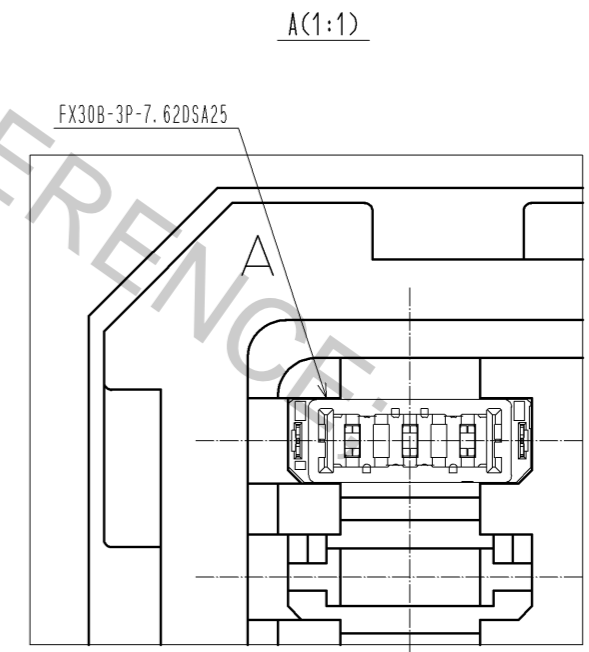
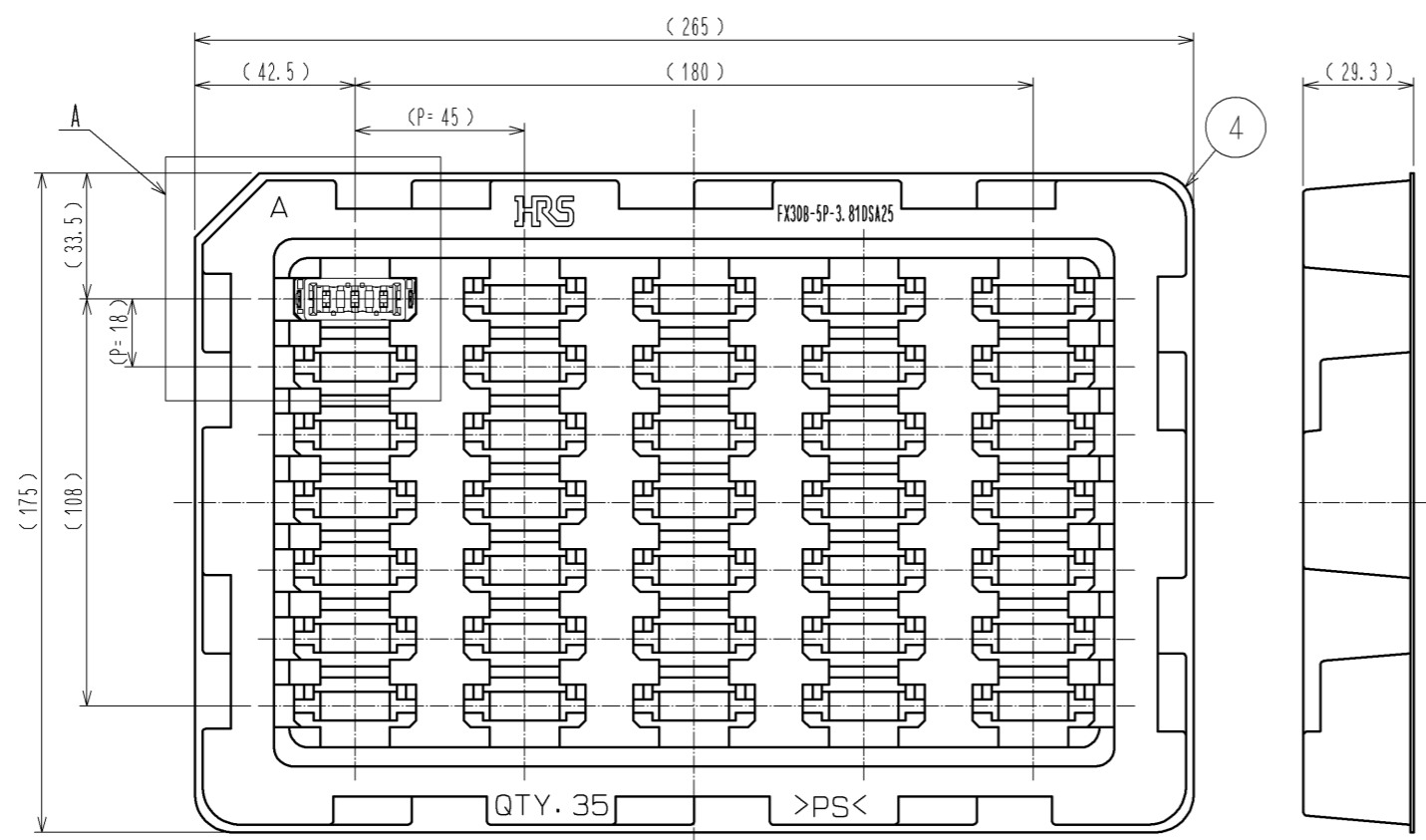
2	Copper alloy	Contact area:Gold-plating 0.1μm	4	Polystyrene	
		Lead area:Tin-plating 1.0μm			
		Under plating:Nickel 1.0μm	3	Phosphor bronze	Tin-plating 3.0μm
1	Polyamide	Black UL94V-0			Under plating:Nickel 1.0μm
NO.	MATERIAL	FINISH . REMARKS	NO.	MATERIAL	FINISH . REMARKS
UNITS mm		SCALE 2 : 1	COUNT		DESCRIPTION OF REVISIONS
					DESIGNED
					CHECKED
					DATE
APPROVED : HS. OKAWA		14.09.12	DRAWING NO. EDC3-359160-00		
CHECED : KN. SHIBUYA		14.09.12	PART NO. FX30B-3P-7.62DSA25		
DESIGNED : DK. AIMOTO		14.09.12	CODE NO. CL570-3206-4-00		
DRAWN : DK. AIMOTO		14.09.12			

Aug.1.2016 Copyright 2016 HIROSE ELECTRIC CO., LTD. All Rights Reserved.

Recommended hole pattern dimension of PCB(5:1)  
(Connector mounting side, PCB thickness:t=1.6mm)



1 Drawing for packaging(1:2)



<b>HRS</b>	DRAWING NO.	EDC3-359160-00	△ 2/2
	PART NO.	FX30B-3P-7.62DSA25	
	CODE NO.	CL570-3206-4-00	