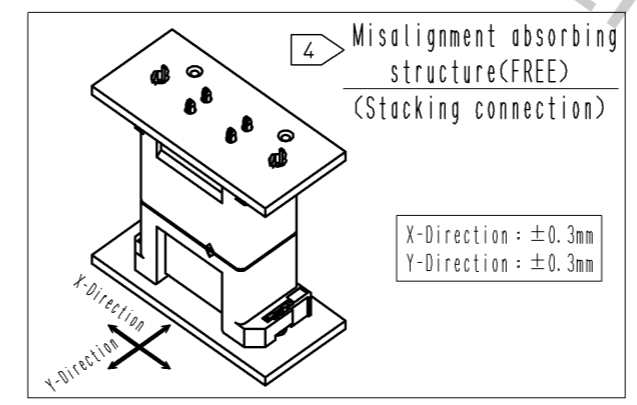
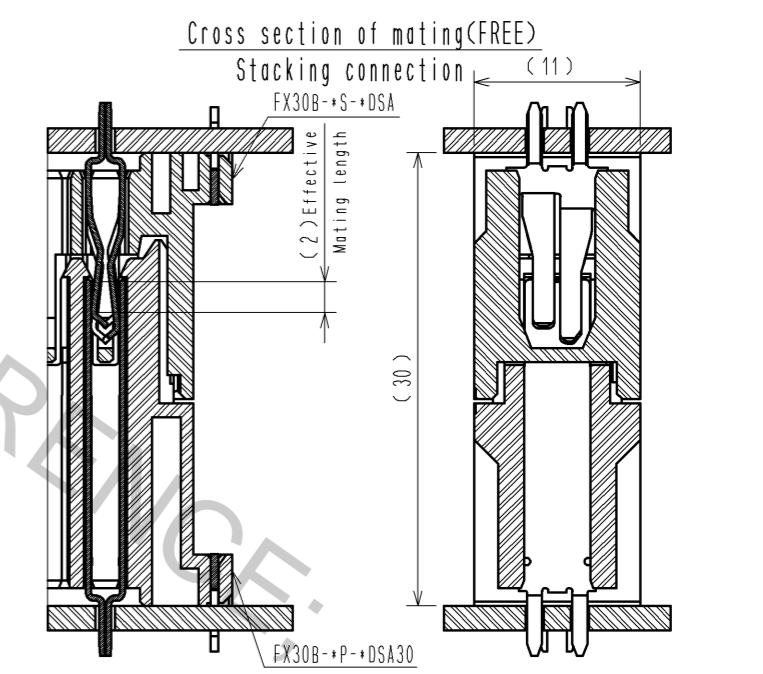
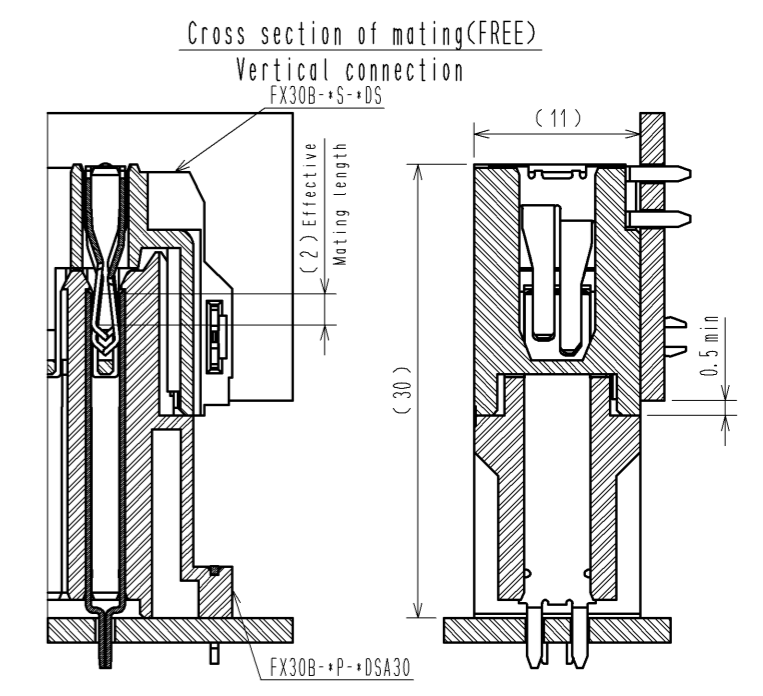
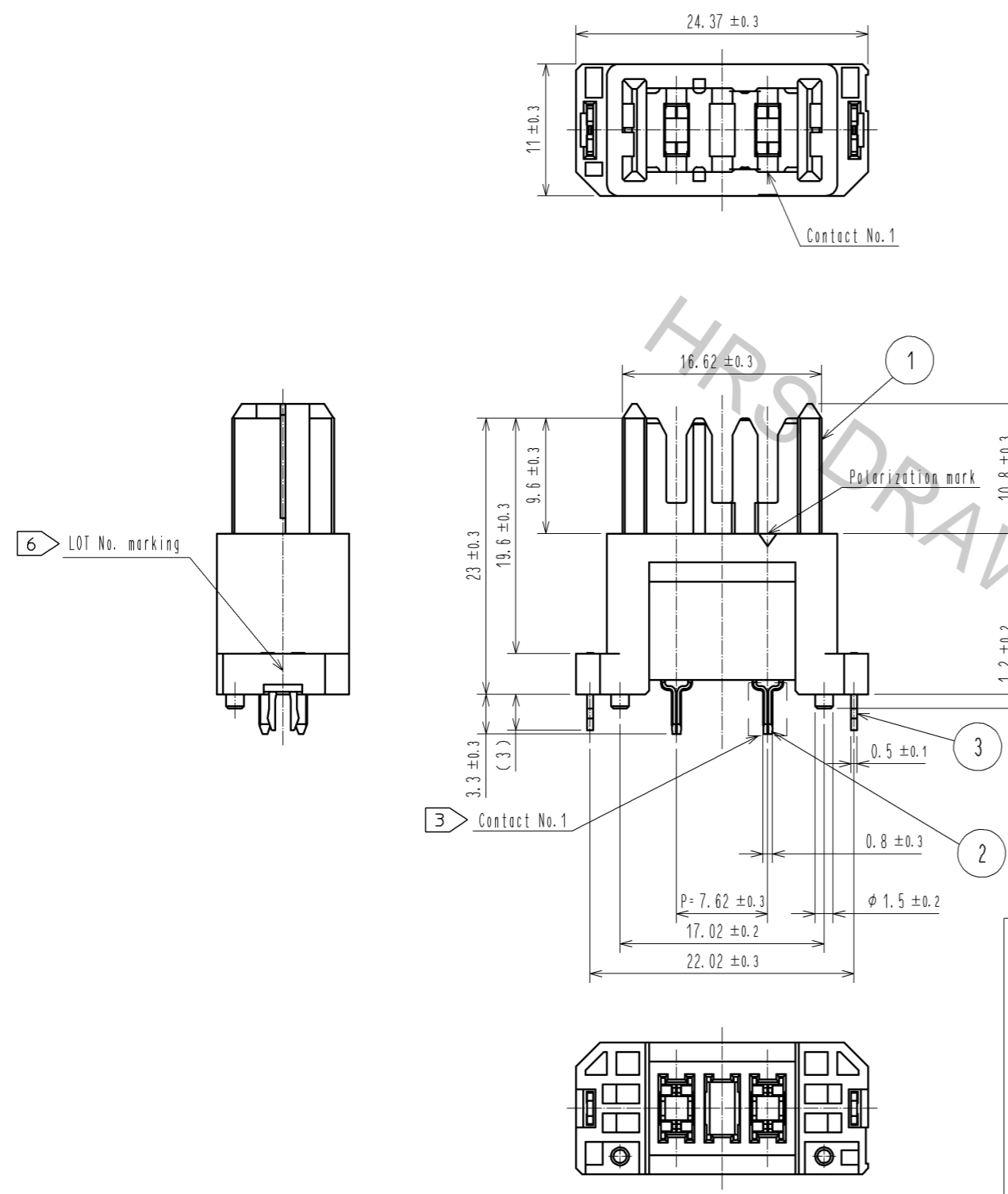


Aug.1.2016 Copyright 2016 HIROSE ELECTRIC CO., LTD. All Rights Reserved.

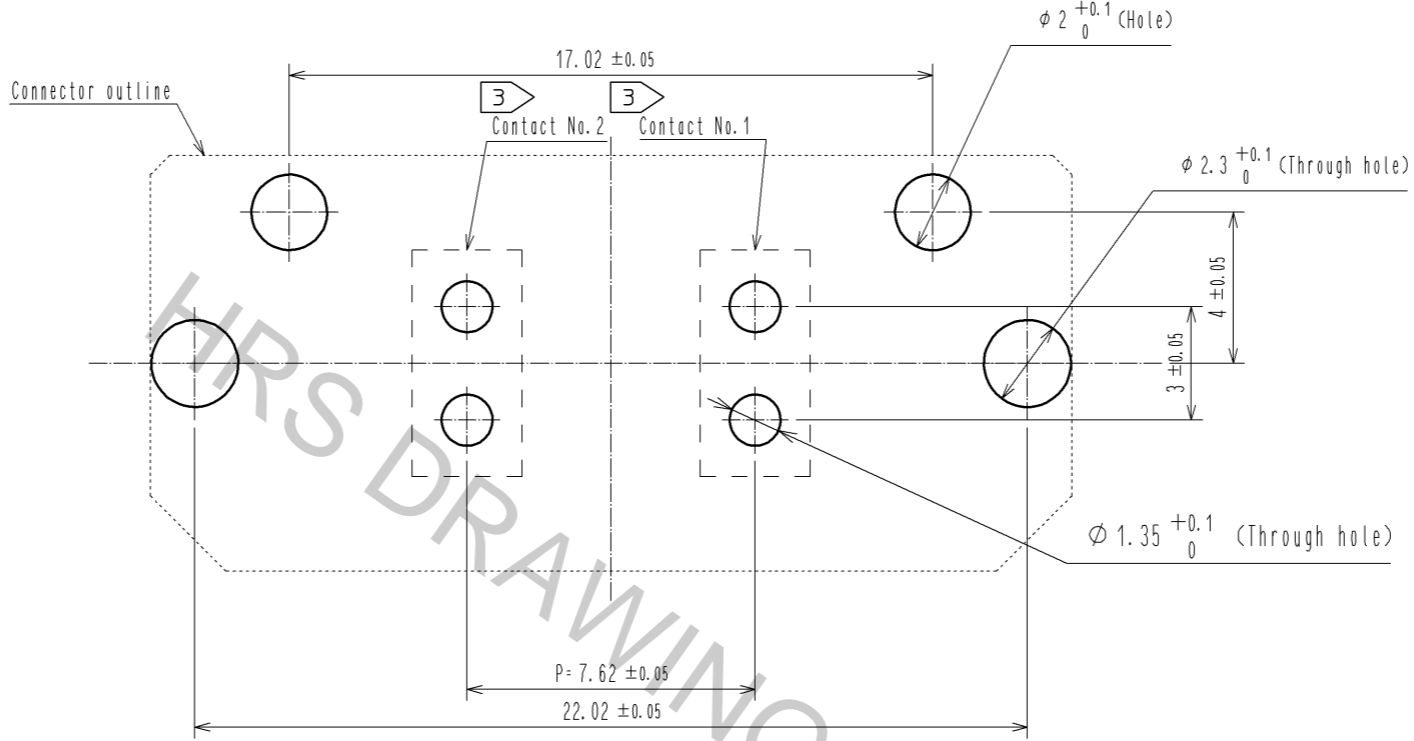


- NOTE
- 1 This product is packaged in tray. (42pcs/tray)
  - 2 Blemish and hit mark can be occurred through out the manufacturing process which dosen't affect quality level. Also, black spot could be observed on the surface of housing.
  - 3 For the contact NO., adjacent two pairs of leads placed back-to-back (4 leads in total) Compose one line.
  - 4 Misalignment absorbing range: ± 0.3mm max.
  - 5 The dimension in parentheses are for references.
  - 6 Lot NO. is indicated at either one of the position as shown.

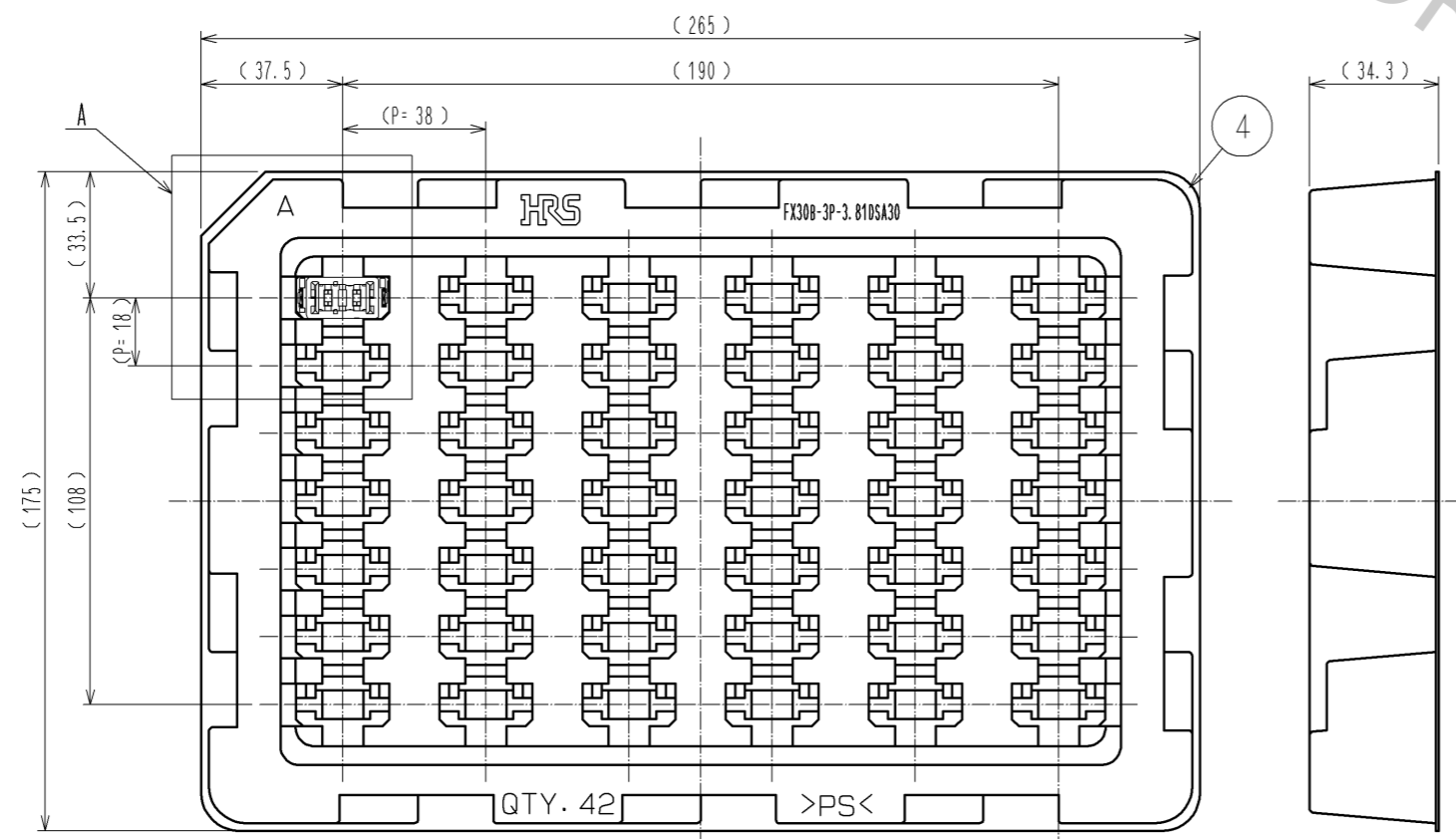
2	Copper alloy	Contact area:Gold-plating 0.1μm	4	Polystyrene			
		Lead area:Tin-plating 1.0μm					
		Under plating:Nickel 1.0μm	3	Phosphor bronze	Tin-plating 3.0μm		
1	Polyamide	Black UL94V-0			Under plating:Nickel 1.0μm		
NO.	MATERIAL	FINISH . REMARKS	NO.	MATERIAL	FINISH . REMARKS		
UNITS mm		SCALE 2 : 1	COUNT △	DESCRIPTION OF REVISIONS	DESIGNED	CHECKED	DATE
<b>HRS</b> HIROSE ELECTRIC CO., LTD.		APPROVED : HS. OKAWA	14. 09. 12	DRAWING NO.	EDC3-359161-00		
		CHECED : KN. SHIBUYA	14. 09. 12	PART NO.	FX30B-2P-7. 62DSA30		
		DESIGNED : DK. AIMOTO	14. 09. 12	CODE NO.	CL570-3304-3-00		
		DRAWN : DK. AIMOTO	14. 09. 12		△ 1/2		

Aug.1.2016 Copyright 2016 HIROSE ELECTRIC CO., LTD. All Rights Reserved.

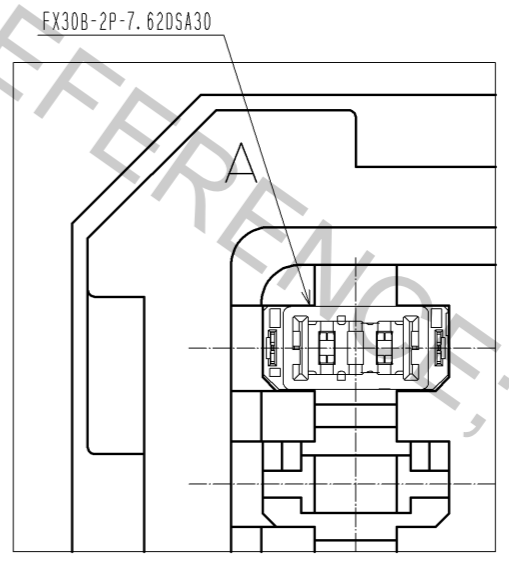
Recommended hole pattern dimension of PCB(5:1)  
(Connector mounting side, PCB thickness:t=1.6mm)



1 Drawing for packaging(1:2)



A(1:1)



<b>HRS</b>	DRAWING NO.	EDC3-359161-00		2/2
	PART NO.	FX30B-2P-7.62DSA30		
	CODE NO.	CL570-3304-3-00		