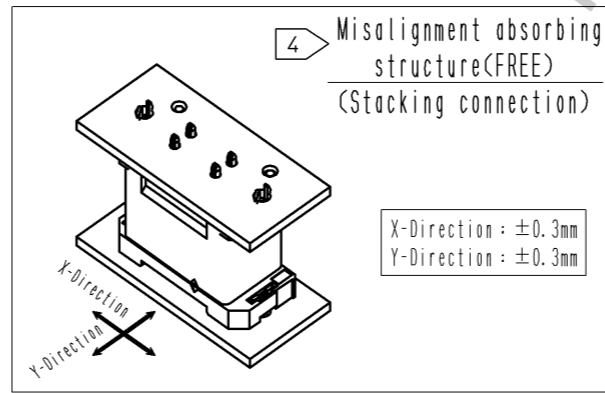
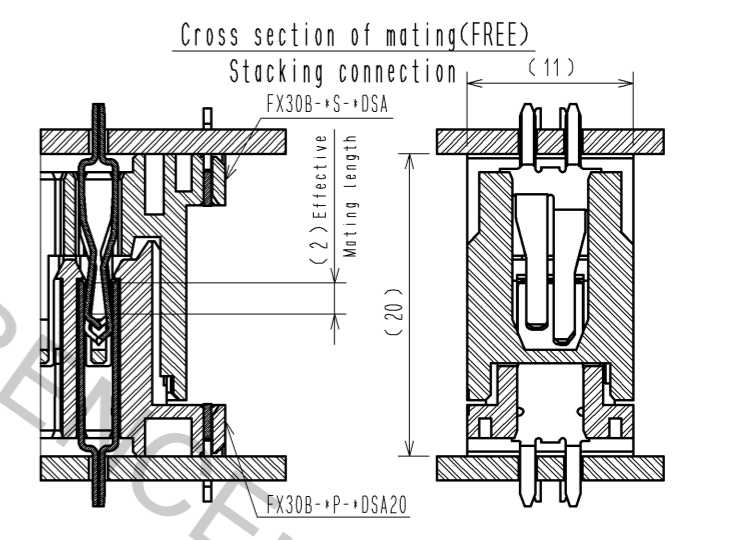
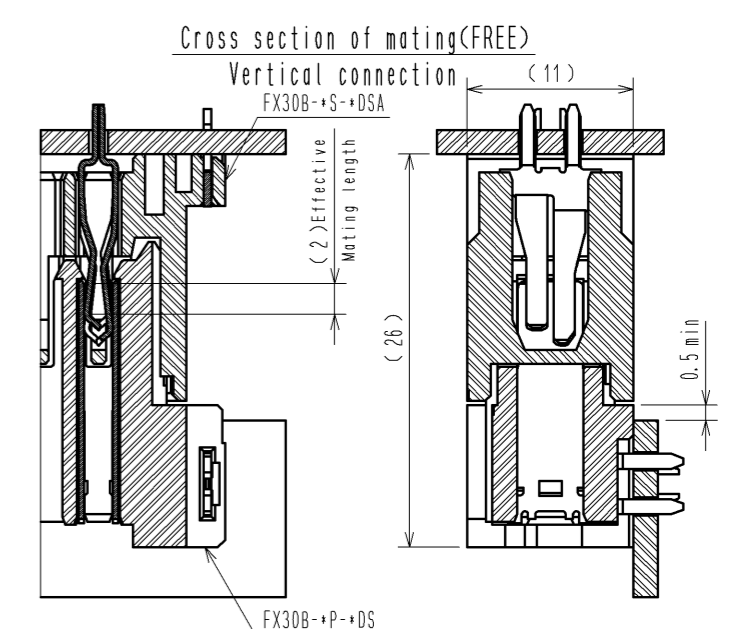
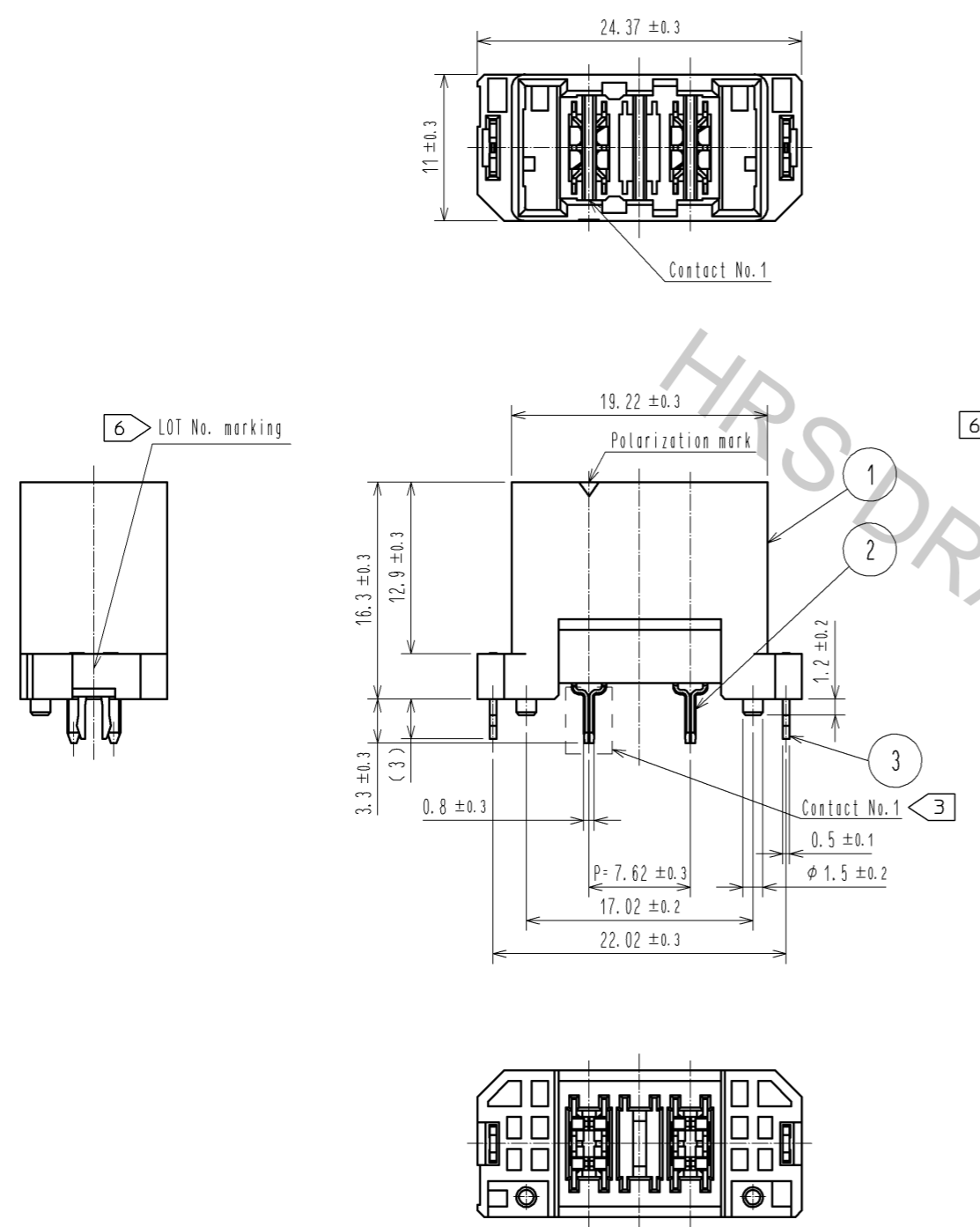


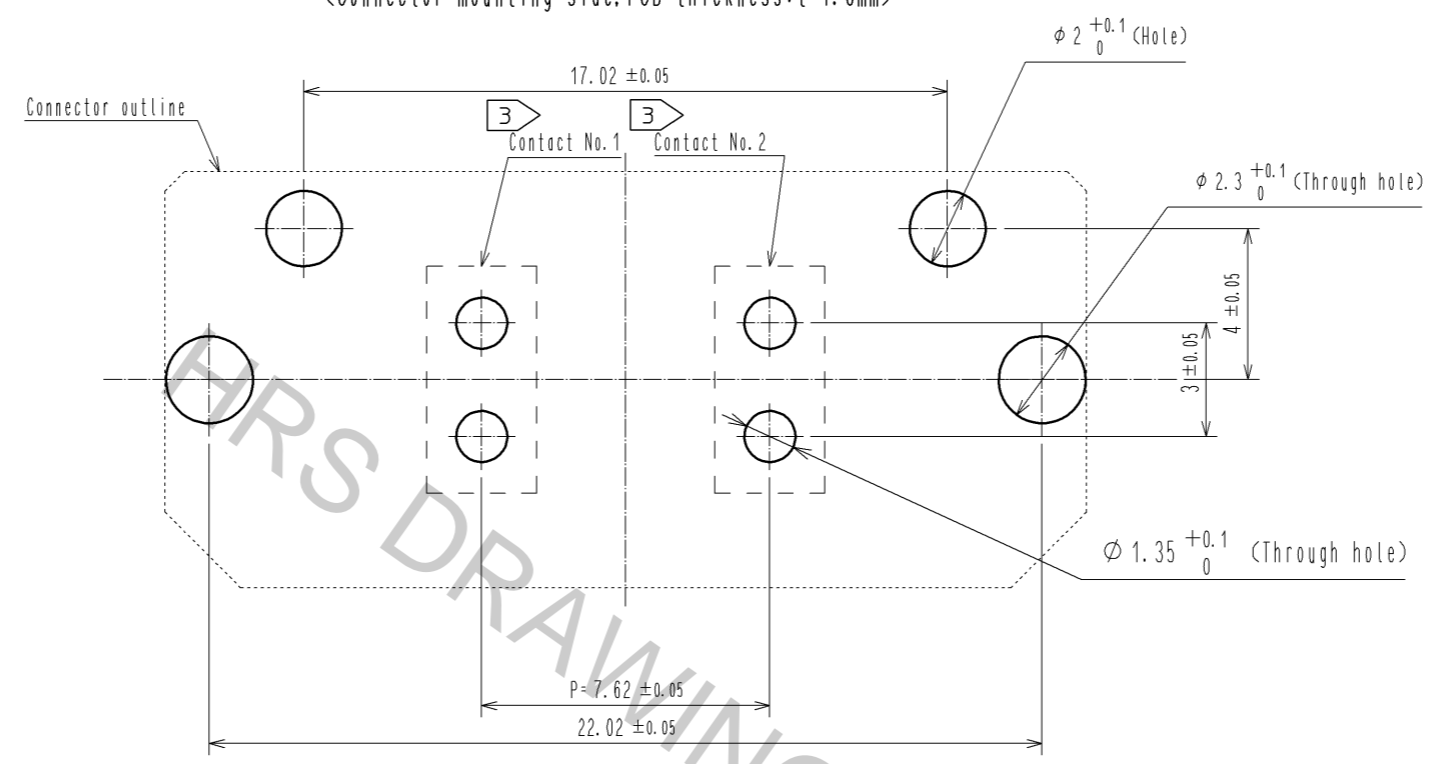
Aug.1.2016 Copyright 2016 HIROSE ELECTRIC CO., LTD. All Rights Reserved.



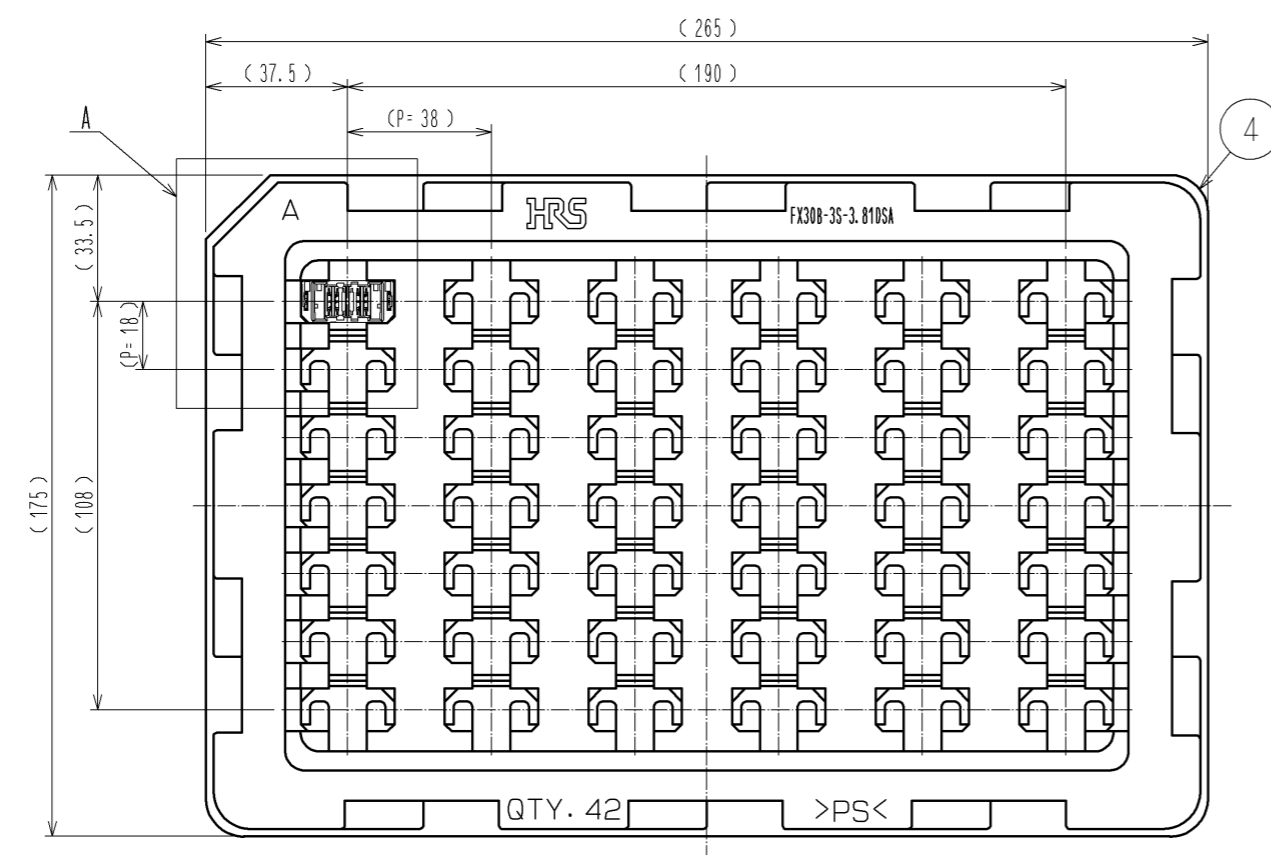
- NOTE
- ① This product is packaged in tray. (42pcs/tray)
 - ② Blemish and hit mark can be occurred through out the manufacturing process which doesn't affect quality level. Also, black spot could be observed on the surface of housing.
 - ③ For the contact NO., adjacent two pairs of leads placed back-to-back (4 leads in total) Compose one line.
 - ④ Misalignment absorbing range: ±0.3mm max.
 - ⑤ The dimension in parentheses are for references.
 - ⑥ Lot NO. is indicated at either one of the position as shown.

| 2 | Copper alloy | Contact area:Gold-plating 0.1μm Lead area:Tin-plating 1.0μm Under plating:Nickel 1.0μm | 4 | Polystyrene | |
|-----------------------|--------------|--|------------|----------------------------|---|
| 1 | Polyamide | Black UL94V-0 | 3 | Phosphor bronze | Tin-plating 3.0μm Under plating:Nickel 1.0μm |
| NO. | MATERIAL | FINISH . REMARKS | NO. | MATERIAL | FINISH . REMARKS |
| UNITS mm | | SCALE 2 : 1 | COUNT △ | DESCRIPTION OF REVISIONS | |
| DESIGNED | | CHECKED | | DATE | |
| APPROVED : HS. OKAWA | | 14. 09. 12 | | DRAWING NO. EDC3-359165-00 | |
| CHECED : KN. SHIBUYA | | 14. 09. 12 | | PART NO. FX30B-2S-7. 62DSA | |
| DESIGNED : DK. AIMOTO | | 14. 09. 12 | | CODE NO. CL570-3504-2-00 | |
| DRAWN : DK. AIMOTO | | 14. 09. 12 | | △ 1/2 | |

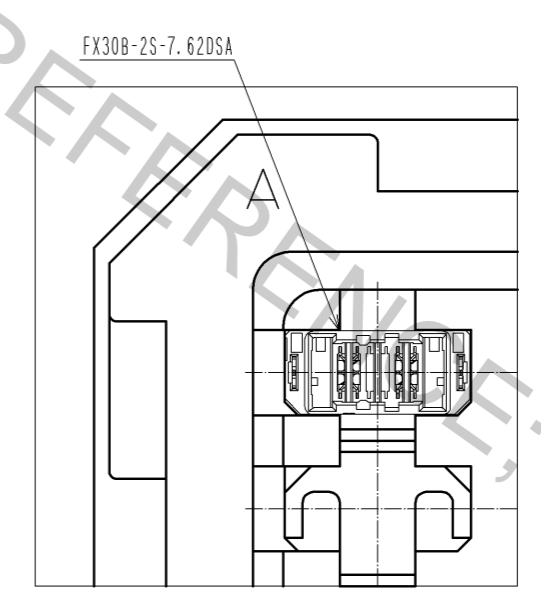
Recommended hole pattern dimension of PCB(5:1)
 (Connector mounting side, PCB thickness:t=1.6mm)



1 Drawing for packaging(1:2)



A(1:1)



| | | | |
|------------|-------------|------------------|-------|
| HRS | DRAWING NO. | EDC3-359165-00 | △ 2/2 |
| | PART NO. | FX30B-2S-7.62DSA | |
| | CODE NO. | CL570-3504-2-00 | |
| | | | |