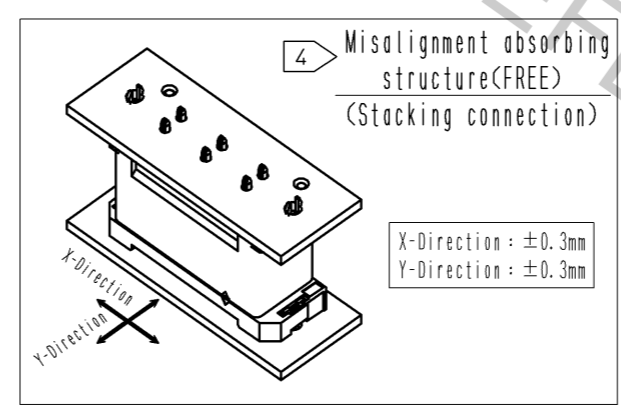
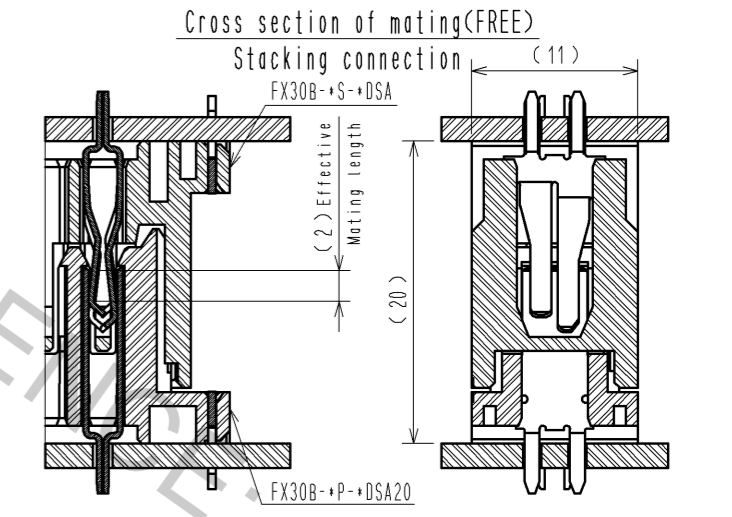
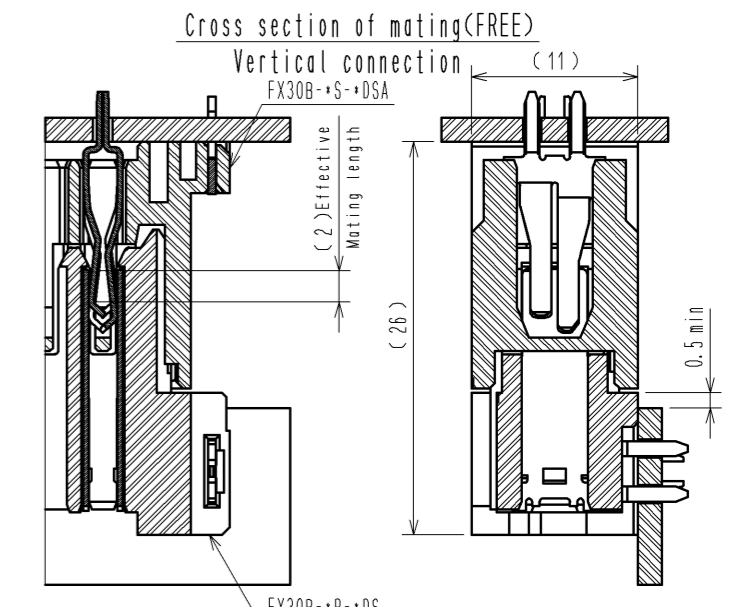
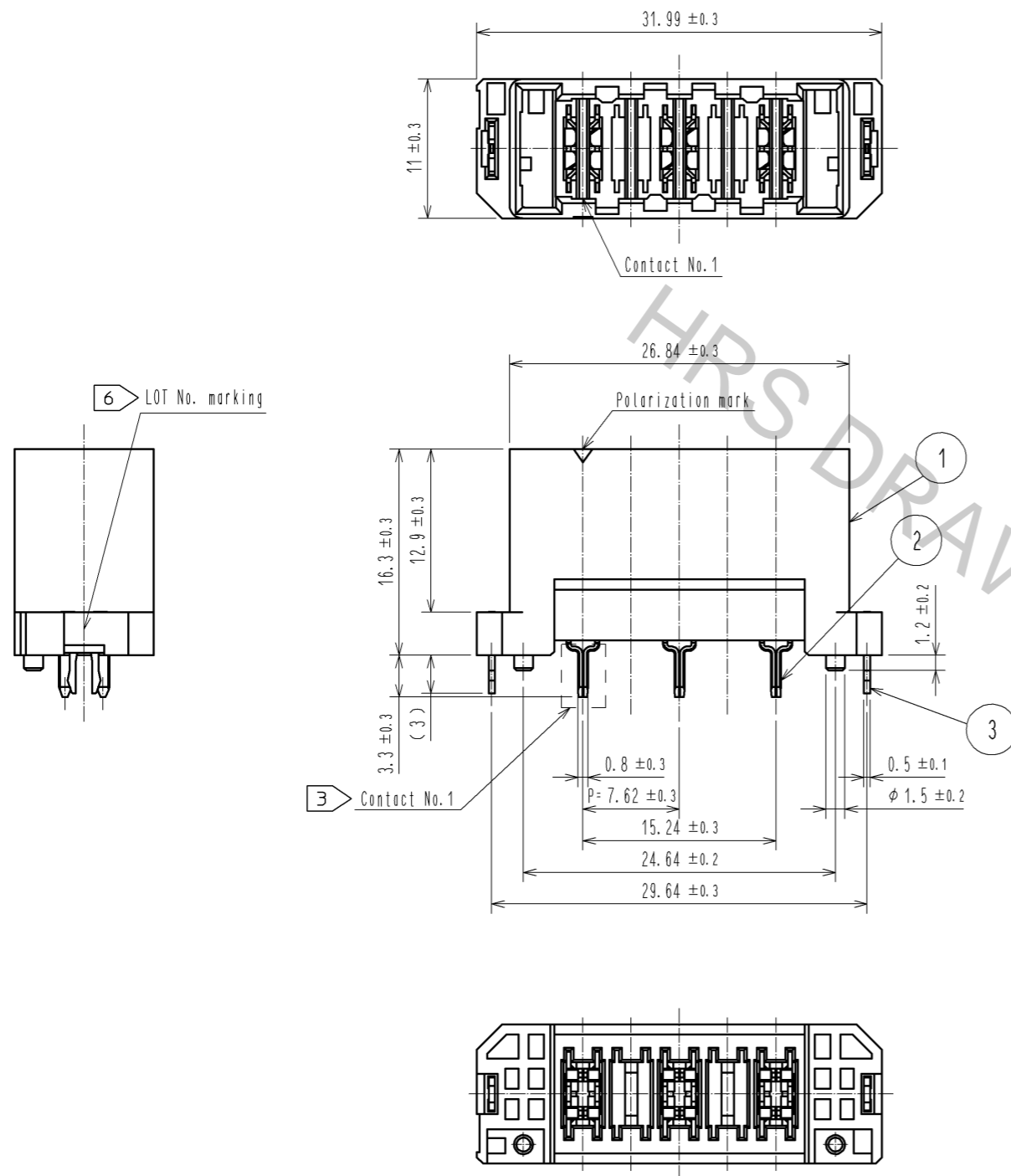


Aug.1.2016 Copyright 2016 HIROSE ELECTRIC CO., LTD. All Rights Reserved.

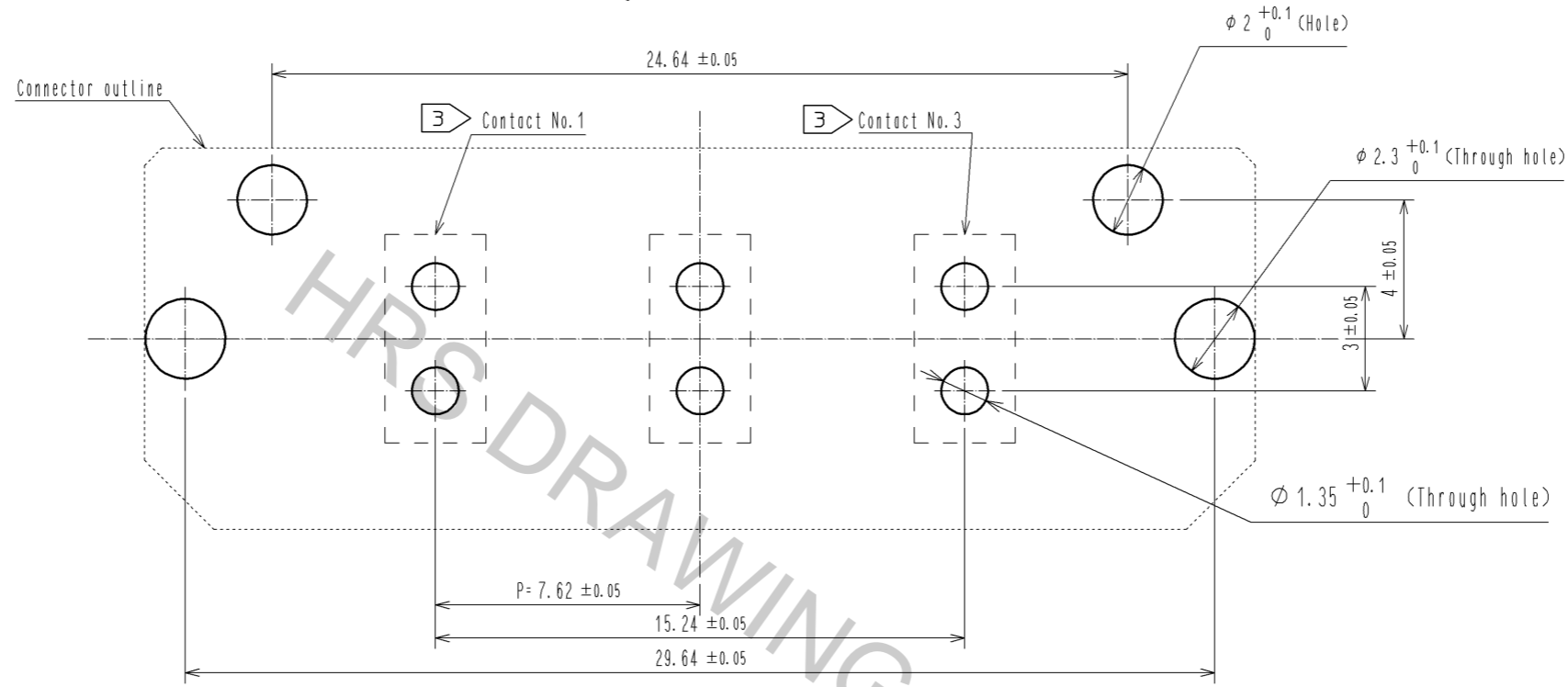


- NOTE
- ① This product is packaged in tray. (35pcs/tray)
 - ② Blemish and hit mark can be occurred through out the manufacturing process which doesn't affect quality level. Also, black spot could be observed on the surface of housing.
 - ③ For the contact NO., adjacent two pairs of leads placed back-to-back (4 leads in total) Compose one line.
 - ④ Misalignment absorbing range: ±0.3mm max.
 - ⑤ The dimension in parentheses are for references.
 - ⑥ Lot NO. is indicated at either one of the position as shown.

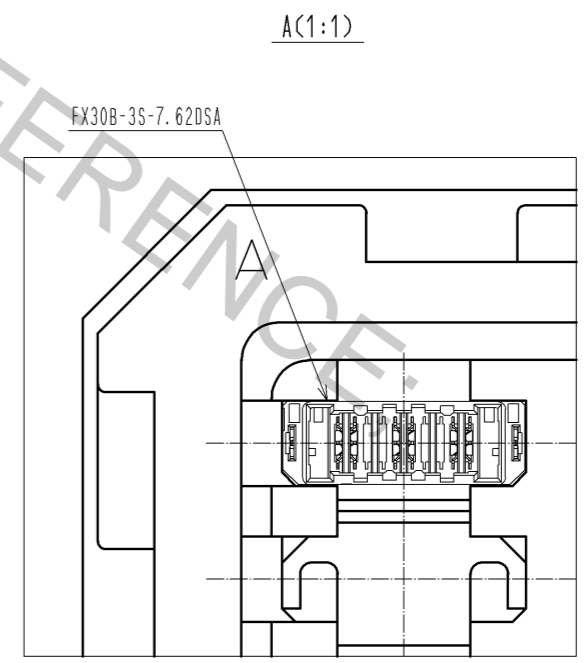
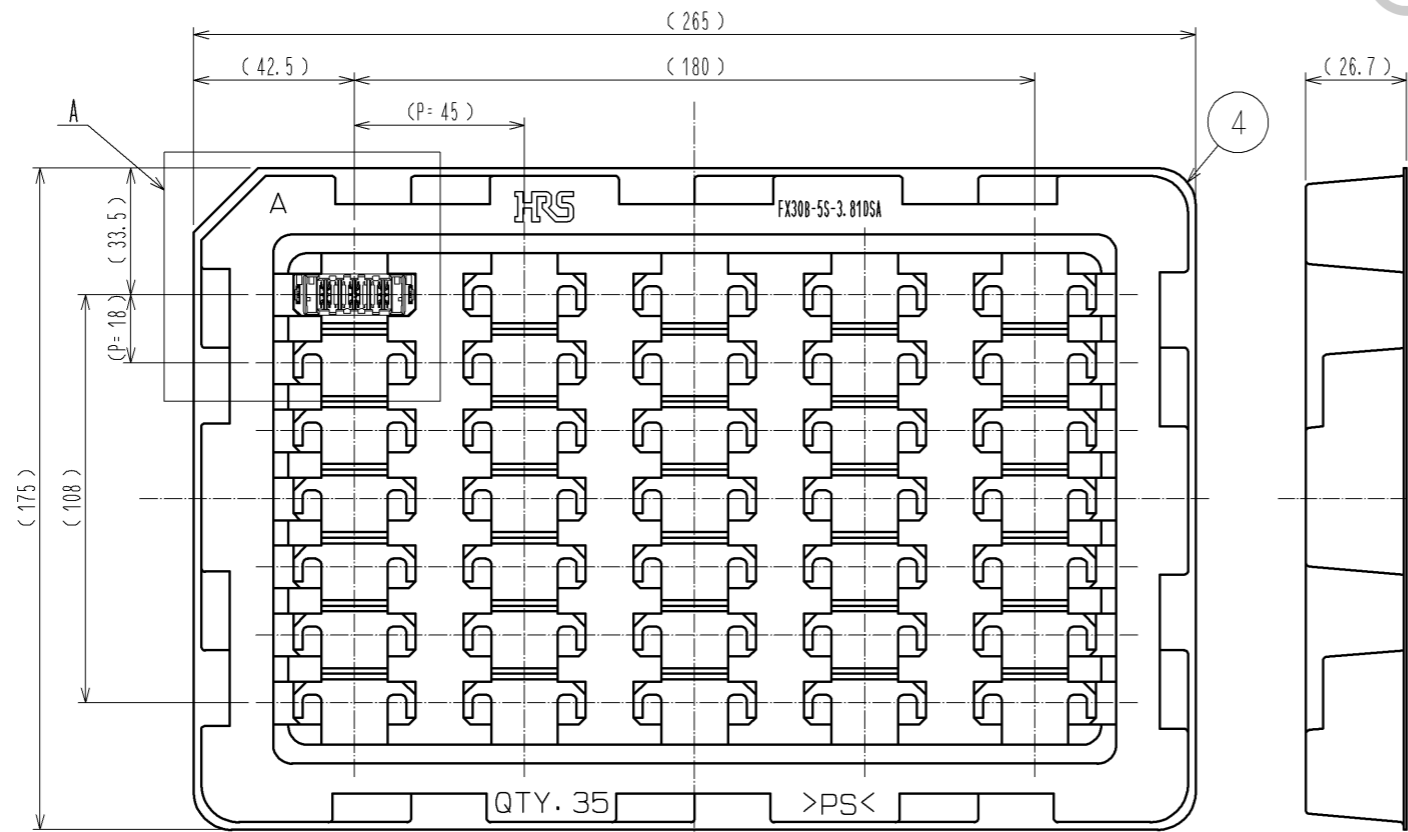
2	Copper alloy	Contact area:Gold-plating 0.1μm Lead area:Tin-plating 1.0μm Under plating:Nickel 1.0μm	4	Polystyrene	
1	Polyamide	Black UL94V-0	3	Phosphor bronze	Tin-plating 3.0μm Under plating:Nickel 1.0μm
NO.	MATERIAL	FINISH . REMARKS	NO.	MATERIAL	FINISH . REMARKS
UNITS mm		SCALE 2 : 1	COUNT △		DESCRIPTION OF REVISIONS
DESIGNED		CHECKED		DATE	
APPROVED : HS. OKAWA		14.09.12		DRAWING NO. EDC3-359166-00	
CHECED : KN. SHIBUYA		14.09.12		PART NO. FX30B-3S-7.62DSA	
DESIGNED : DK. AIMOTO		14.09.12		CODE NO. CL570-3505-5-00	
DRAWN : DK. AIMOTO		14.09.12		△ 1/2	

Aug.1.2016 Copyright 2016 HIROSE ELECTRIC CO., LTD. All Rights Reserved.

Recommended hole pattern dimension of PCB(5:1)
 (Connector mounting side, PCB thickness:t=1.6mm)



1 Drawing for packaging(1:2)



HRS	DRAWING NO.	EDC3-359166-00	△ 2/2
	PART NO.	FX30B-3S-7.62DSA	
	CODE NO.	CL570-3505-5-00	