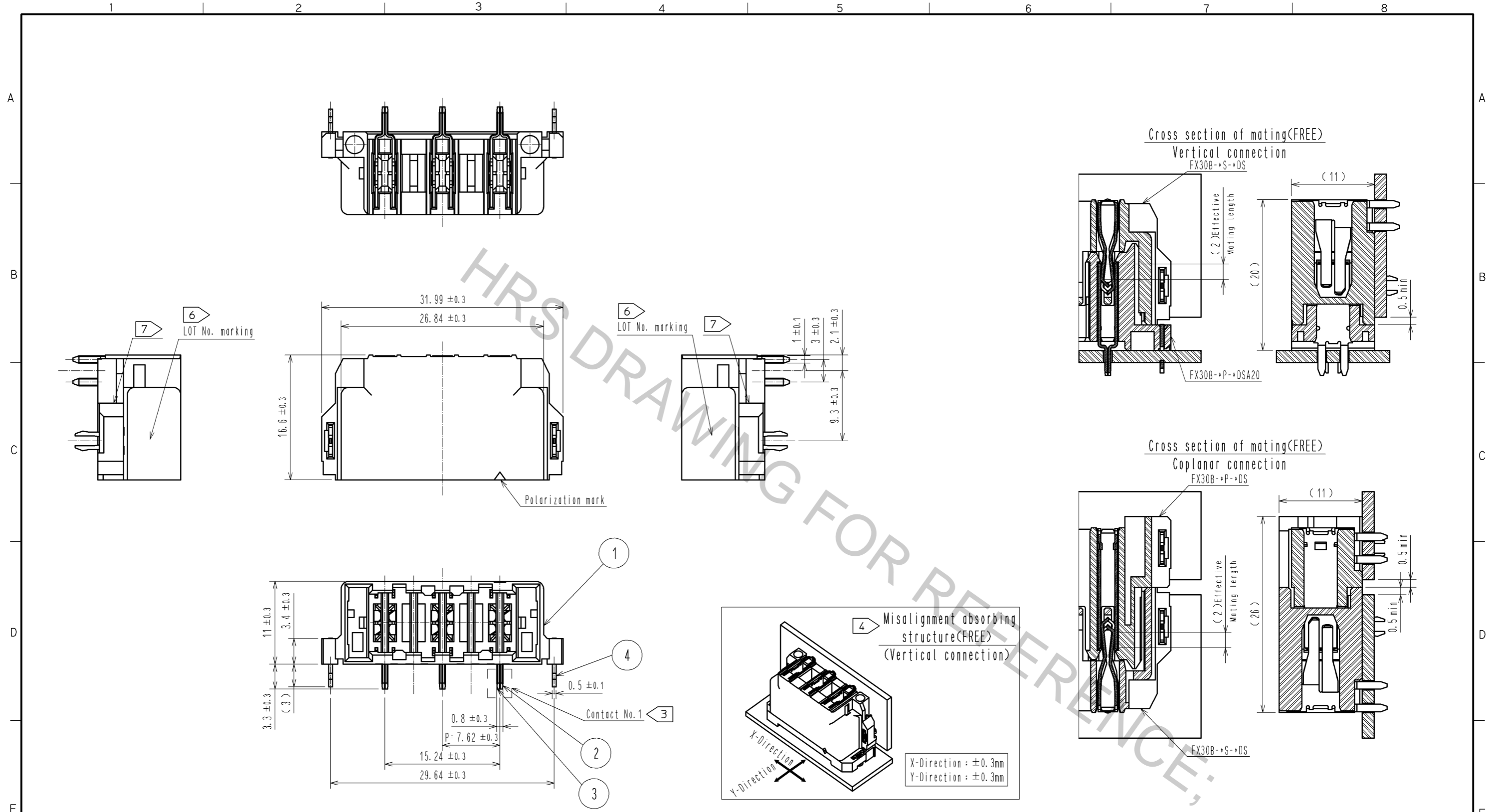


Aug.1.2016 Copyright 2016 HIROSE ELECTRIC CO., LTD. All Rights Reserved.



NOTE

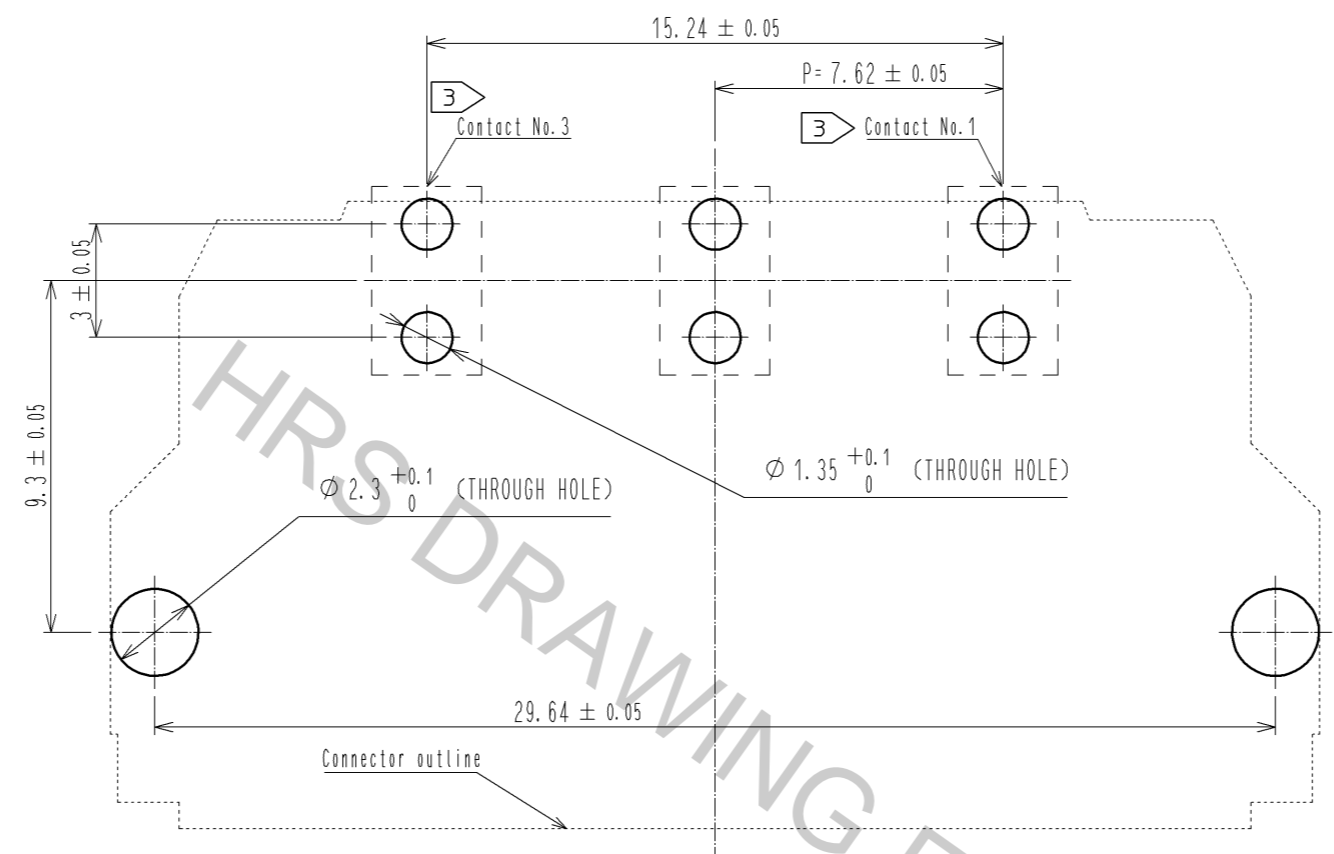
- This product is packaged in tray. (25pcs/tray)
- Blemish and hit mark can be occurred through out the manufacturing process which doesn't affect quality level. Also, black spot could be observed on the surface of housing.
- For the contact NO., adjacent two pairs of leads placed back-to-back (4 leads in total) compose one line.
- Misalignment absorbing range: ± 0.3mm max.
- The dimension in parentheses are for references.
- Lot NO. is indicated at either one of the position as shown.
- Possible short shot and/or burr at the indicated area does not affect the product quality.

| 2 | Copper alloy | Contact area:Gold-plating 0.1μm Lead area:Tin-plating 1.0μm Under plating:Nickel 1.0μm | 4 | Phosphor bronze | Tin-plating 3.0μm Under plating:Nickel 1.0μm |
|-----|--------------|--|-----|-----------------|--|
| 1 | Polyamide | Black UL94V-0 | 3 | Copper alloy | Contact area:Gold-plating 0.1μm Lead area:Tin-plating 1.0μm Under plating:Nickel 1.0μm |
| NO. | MATERIAL | FINISH . REMARKS | NO. | MATERIAL | FINISH . REMARKS |

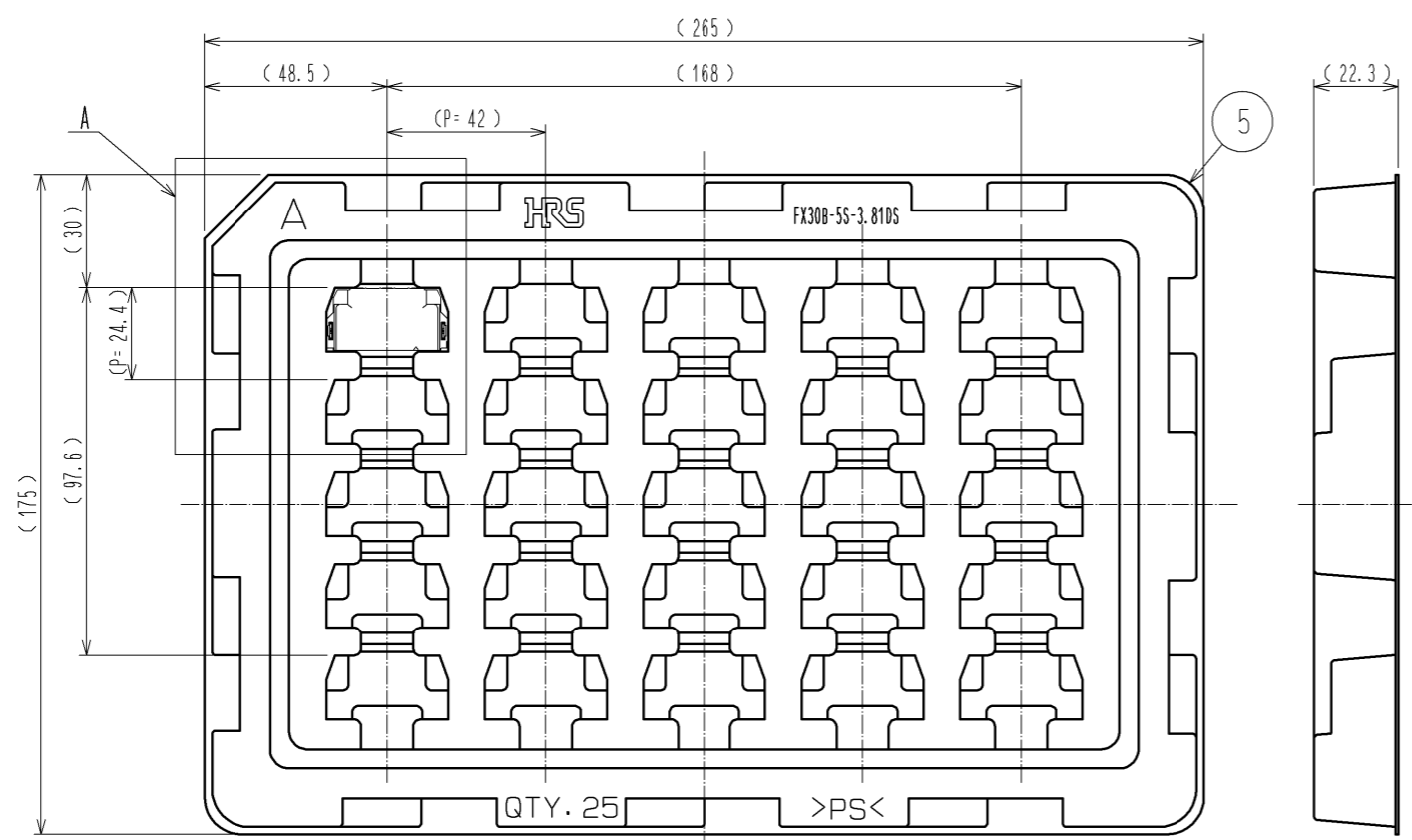
| | | | | | | | |
|--------------------------------------|--|-------|-------|---|-----------------|---------|------|
| UNITS | | SCALE | COUNT | DESCRIPTION OF REVISIONS | DESIGNED | CHECKED | DATE |
| mm | | 2 : 1 | △ | APPROVED : HS. OKAWA 14.09.12 CHECED : KN. SHIBUYA 14.09.12 DESIGNED : DK. AIMOTO 14.09.12 DRAWN : DK. AIMOTO 14.09.12 | | | |
| HRS HIROSE ELECTRIC CO., LTD. | | | | DRAWING NO. | EDC3-359167-00 | | |
| | | | | PART NO. | FX30B-3S-7.62DS | | |
| | | | | CODE NO. | CL570-3605-0-00 | | |
| | | | | | 1/2 | | |

Aug.1.2016 Copyright 2016 HIROSE ELECTRIC CO., LTD. All Rights Reserved.

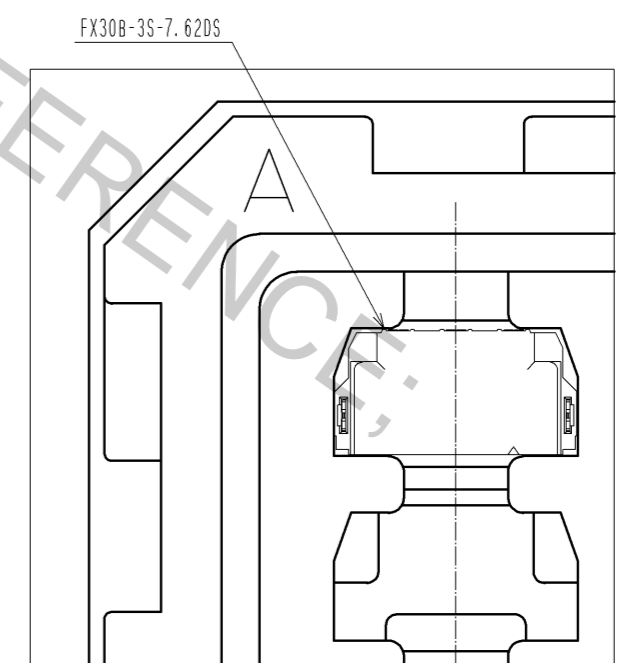
Recommended hole pattern dimension of PCB(5:1)
(Connector mounting side, PCB thickness:t=1.6mm)



1 Drawing for packaging(1:2)



A(1:1)



| | | | |
|------------|-------------|-----------------|-------|
| HRS | DRAWING NO. | EDC3-359167-00 | △ 2/2 |
| | PART NO. | FX30B-3S-7.62DS | |
| | CODE NO. | CL570-3605-0-00 | |
| | | | |