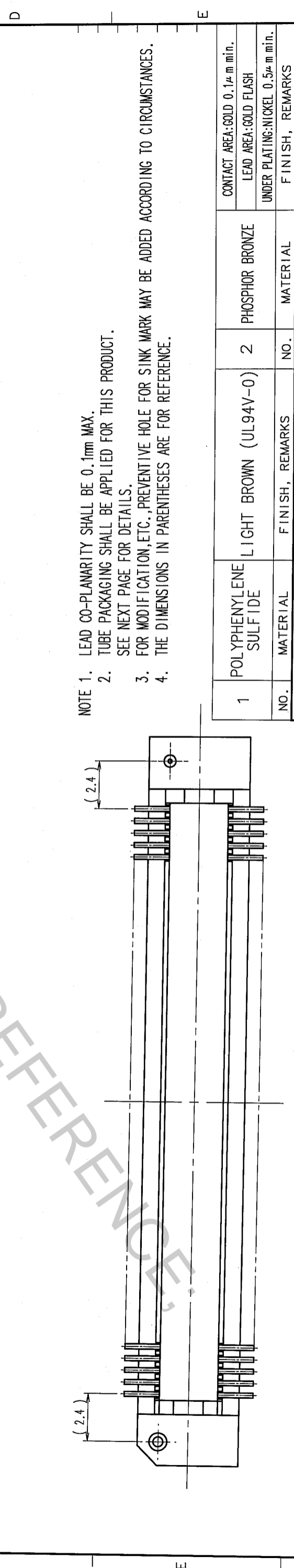
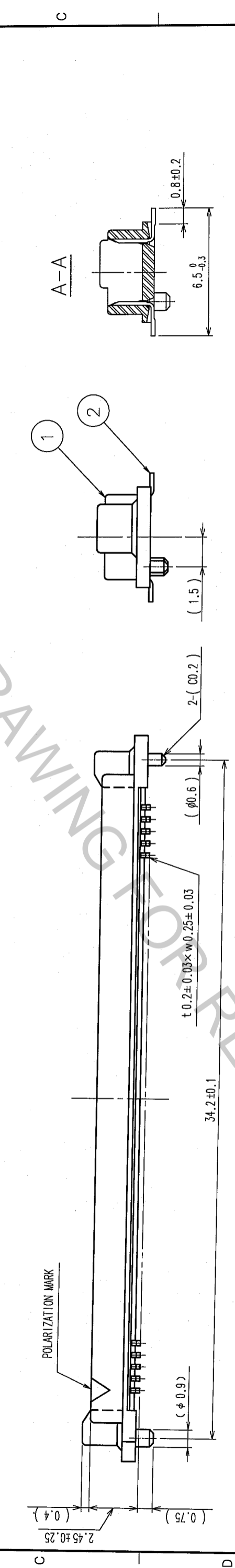
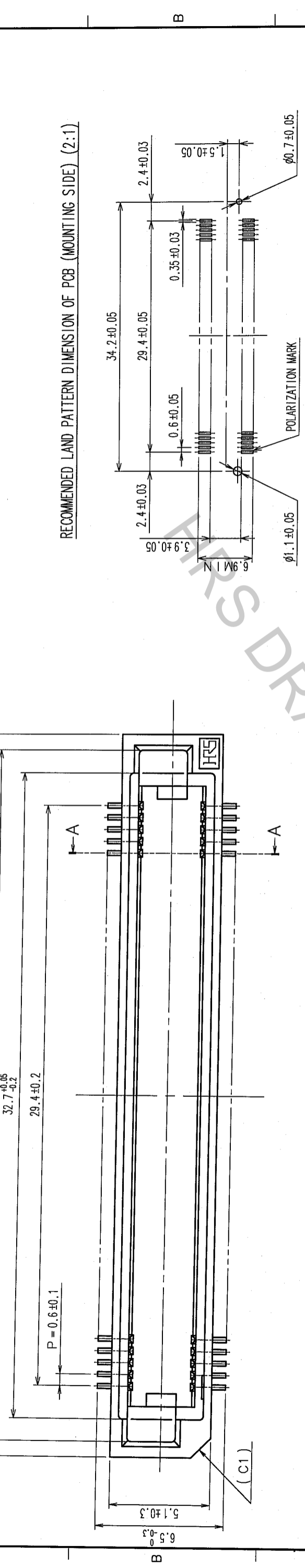


COUNT	DESCRIPTION OF REVISIONS	BY	CHKD	DATE	COUNT	DESCRIPTION OF REVISIONS	BY	CHKD	DATE
△					△				
△					△				

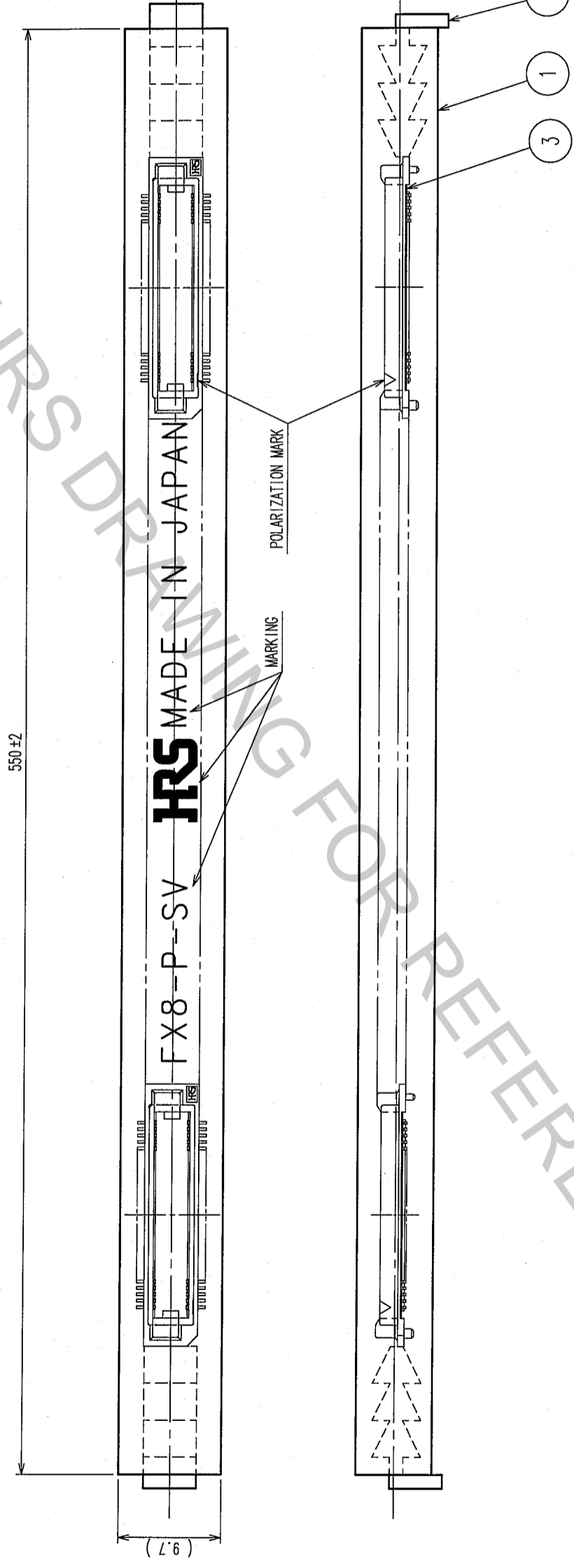
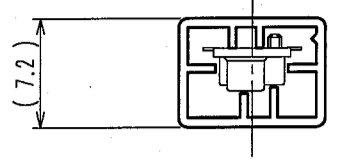
RECOMMENDED LAND PATTERN DIMENSION OF PCB (MOUNTING SIDE) (2:1)



- NOTE 1. LEAD CO-PLANARITY SHALL BE 0.1mm MAX.
 2. TUBE PACKAGING SHALL BE APPLIED FOR THIS PRODUCT.
 SEE NEXT PAGE FOR DETAILS.
 3. FOR MODIFICATION, ETC., PREVENTIVE HOLE FOR SINK MARK MAY BE ADDED ACCORDING TO CIRCUMSTANCES.
 4. THE DIMENSIONS IN PARENTHESES ARE FOR REFERENCE.

1	POLYPHENYLENE SULFIDE	LIGHT BROWN (UL94V-0)	2	PHOSPHOR BRONZE	CONTACT AREA: GOLD 0.1μm min. LEAD AREA: GOLD FLASH UNDER PLATING: NICKEL 0.5μm min.
NO.	MATERIAL	FINISH, REMARKS	NO.	MATERIAL	FINISH, REMARKS
CL					
DRAWN K. Doi '05.09.02		DESIGNED K. Doi '05.09.02		CHECKED K. Ogyama '05.09.02	APPROVED H. Okawa '05.09.02
SCALE 5 : 1		DRAWING NO. EDC3-150566-21		PART NO. FX8-100P-SV(91)	
UNITS mm		CODE NO. CL578-0005-7-91		CODE NO. CL578-0005-7-91	

COUNT	DESCRIPTION OF REVISIONS	BY	CHKD	DATE	COUNT	DESCRIPTION OF REVISIONS	BY	CHKD	DATE
△					△				
△					△				
△					△				



NOTE 1. 1 TUBE : 14 CONNECTORS.
 2. THE DIMENSIONS IN PARENTHESES ARE FOR REFERENCE.

2		3 (CONNECTOR)			
NO.	MATERIAL	FINISH, REMARKS	NO.	MATERIAL	FINISH, REMARKS
	POLYVINYL CHLORIDE	STOPPER	1	POLYVINYL CHLORIDE	TUBE
CODE NO. (OLD)			DRAWN	DESIGNED	CHECKED
CL			K. Doi	K. Doi	K. Oyamada
			'05.09.02	'05.09.02	'05.09.02
DRAWING NO.			PART NO.		
EDC3-150566-21			FX8-100P-SV(91)		
SCALE			CODE NO.		
FREE			CL578-0005-7-91		
UNITS			mm		

TO	
PCK	