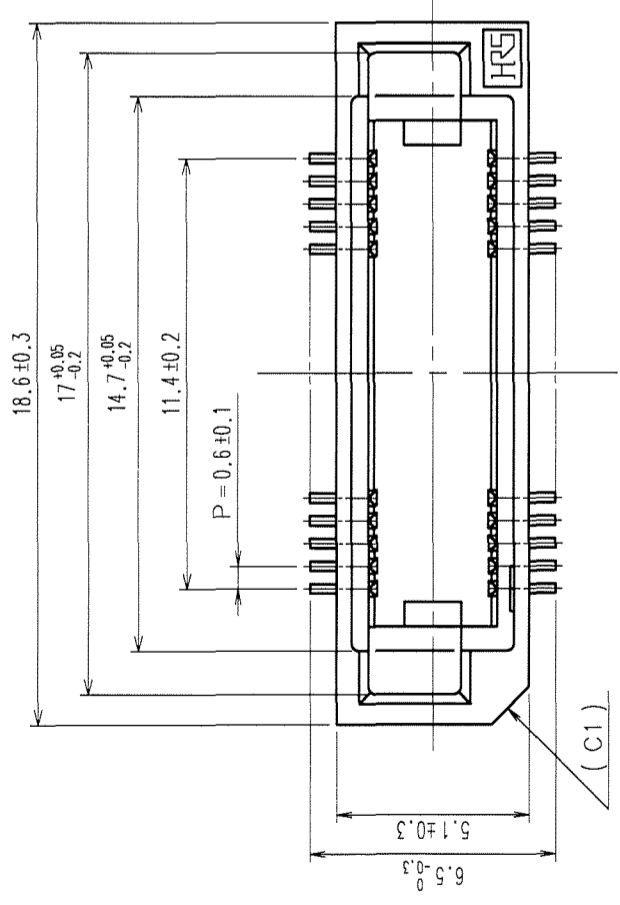
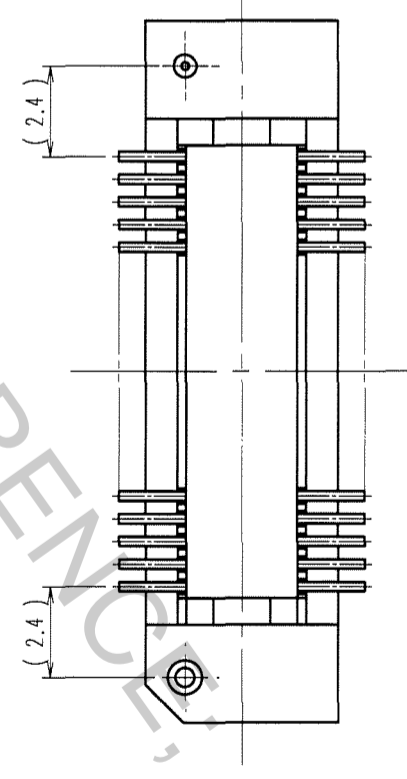
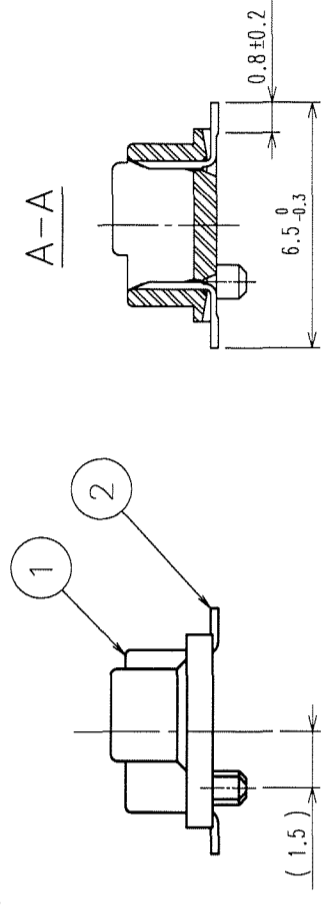
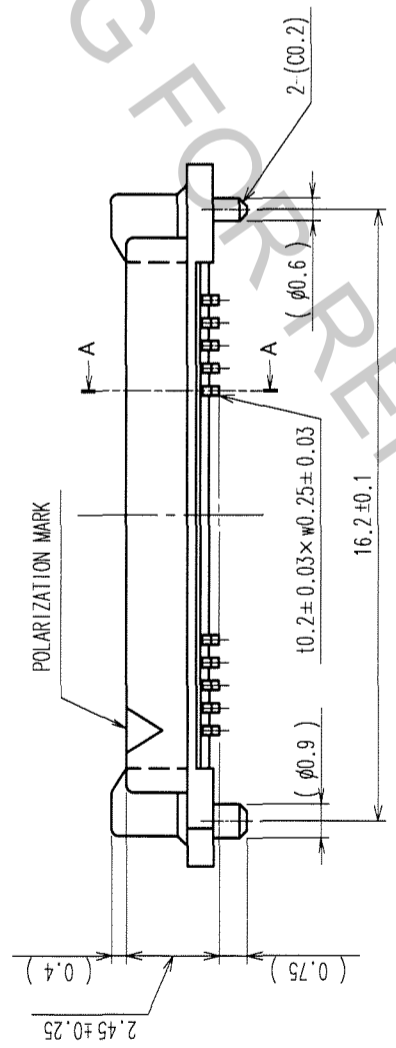
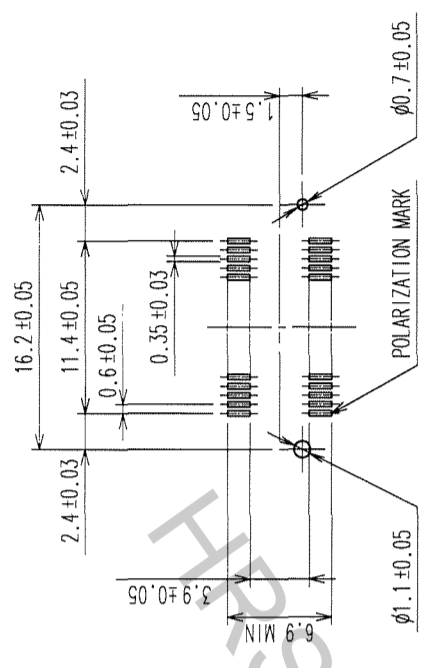


COUNT	DESCRIPTION OF REVISIONS	BY	CHKD	DATE	COUNT	DESCRIPTION OF REVISIONS	BY	CHKD	DATE



RECOMMENDED LAND PATTERN DIMENSION OF PCB (MOUNTING SIDE) (2:1)



- NOTE 1. LEAD CO-PLANARITY SHALL BE 0.1mm MAX.  
 2. FOR MODIFICATION, ETC., PREVENTIVE HOLE FOR SINK MARK MAY BE ADDED ACCORDING TO CIRCUMSTANCES.  
 3. THE DIMENSIONS IN PARENTHESES ARE FOR REFERENCE.

NO.	MATERIAL	FINISH, REMARKS	NO.	MATERIAL	FINISH, REMARKS
1	PPS	LIGHT BROWN (UL94V-0)	2	PHOSPHOR BRONZE	

CONTACT AREA:	REMARKS
GOLD 0.1μm min.	
LEAD AREA:	GOLD FLASH
UNDER PLATING:	NICKEL 0.5μm min.

CODE NO. (OLD)	CL	DRAWN	DESIGNED	CHECKED	APPROVED	RELEASED
		T. YANAGISAWA	H. Nakamura	X. Ogawa	H. Kawano	
		'05.11.09	'05.11.09	'05.11.09	'05.11.09	

DRAWING NO.	PART NO.
EDC3-150989-25	FX8-40P-SV(71)

SCALE	UNITS	CODE NO.
5 : 1	ITPM	CL578-0009-8-71

TO