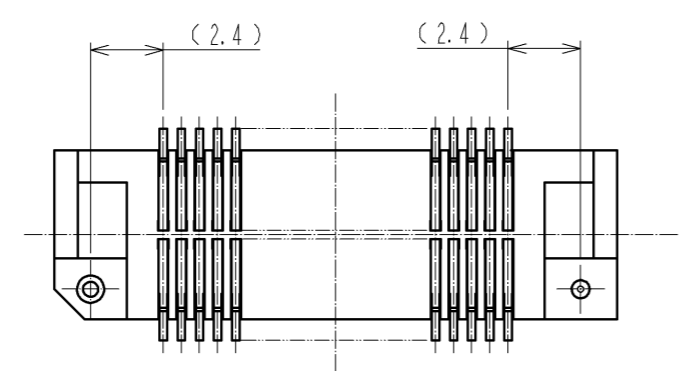
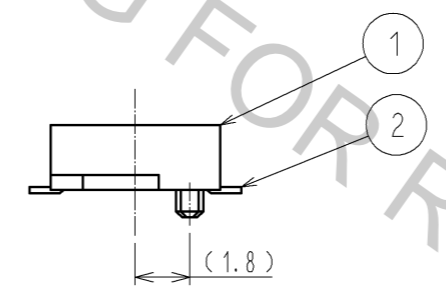
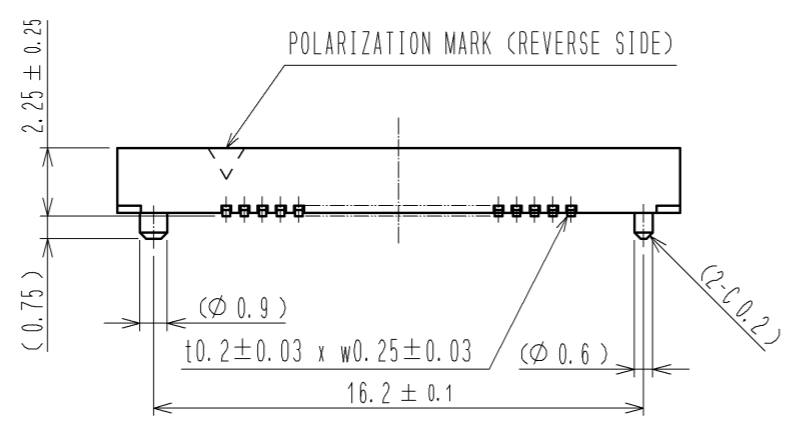
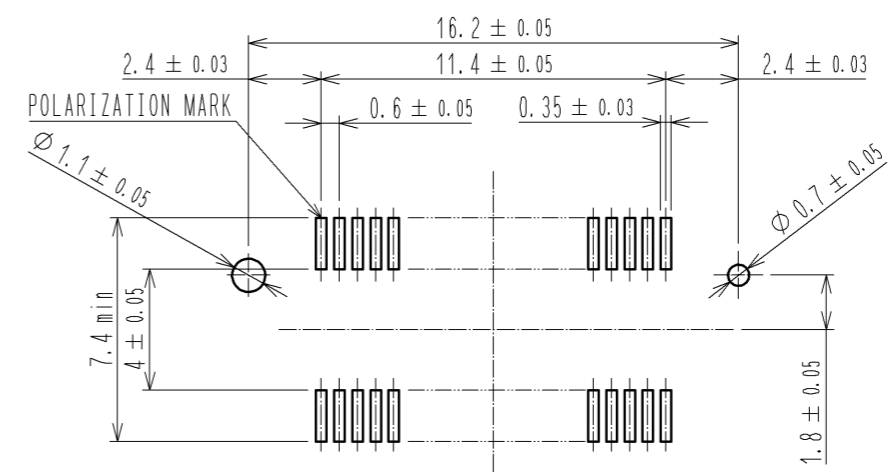
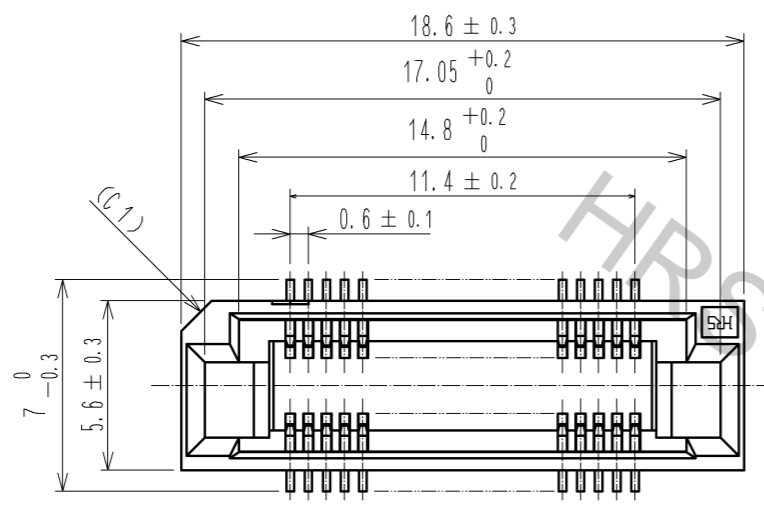


Aug.1.2016 Copyright 2016 HIROSE ELECTRIC CO., LTD. All Rights Reserved.

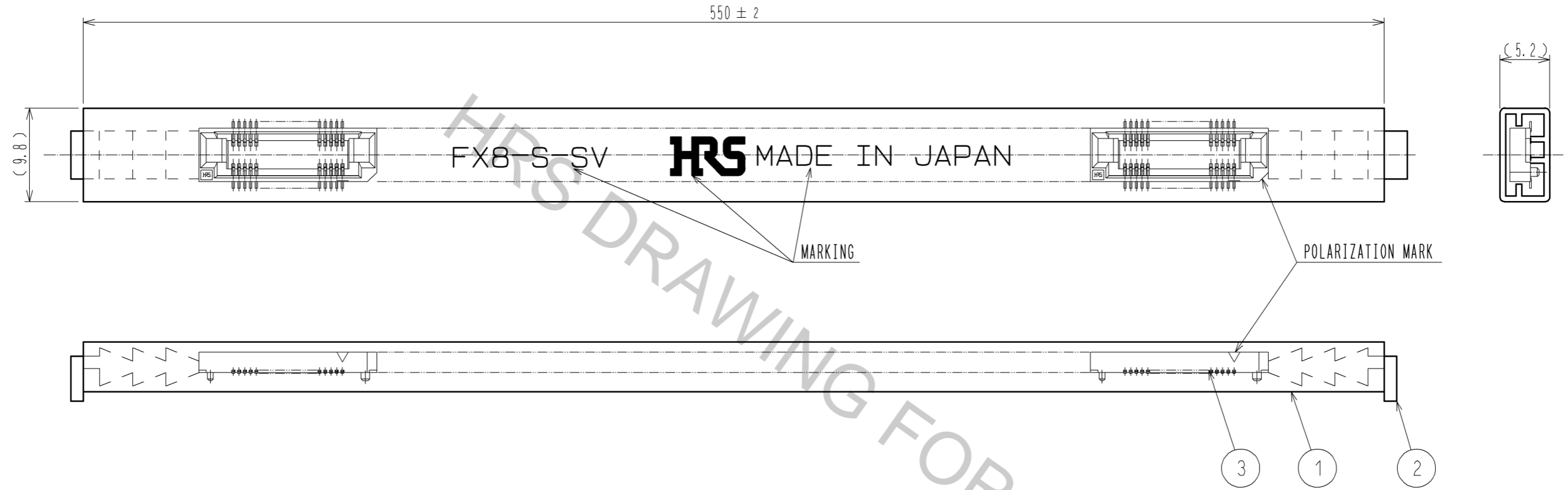
RECOMMENDED LAND PATTERN DIMENSION OF PCB(MOUNTING SIDE)



NOTE 1 LEAD CO-PLANARITY SHALL BE 0.1max.
 2 FOR DETAILS. SEE THE SECTION CONCERNING THE DELIVERY FORM ON NEXT PAGE.
 3 FOR MODIFICATION, ETC., PREVENTIVE HOLE FOR SINK MARK MAY BE ADDED DEPENDS ON CIRCUMSTANCES.

1	PPS	LIGHT BROWN UL94V-0	2	PHOSPHOR BRONZE	CONTACT AREA : GOLD(0.1μm) OVER NICKEL			
NO.	MATERIAL	FINISH . REMARKS	NO.	MATERIAL	LEAD AREA : GOLD(FLASH) OVER NICKEL			
UNITS	mm	SCALE	4 : 1	COUNT	DESCRIPTION OF REVISIONS	DESIGNED	CHECKED	DATE
		APPROVED : HS. OKAWA 14. 01. 20 CHECKED : HT. YAMAGUCHI 14. 01. 20 DESIGNED : KJ. NISHIWAKI 14. 01. 18 DRAWN : KJ. NISHIWAKI 14. 01. 18		DRAWING NO. EDC3-150990-01 PART NO. FX8-40S-SV(21) CODE NO. CL578-0209-7-21		DATE 1/2		

Aug.1.2016 Copyright 2016 HIROSE ELECTRIC CO., LTD. All Rights Reserved.



NOTE 1 THE DIMENSIONS IN PARENTHESSES ARE FOR REFERENCE.
 2 TUBE : 28 CONNECTORS.

3	(CONNECTOR)	
2	POLYVINYLCHLORIDE	STOPPER
1	POLYVINYLCHLORIDE	TUBE
NO.	MATERIAL	FINISH . REMARKS

HRS	DRAWING NO.	EDC3-150990-01
	PART NO.	FX8-40S-SV(21)
	CODE NO.	CL578-0209-7-21
		△ 2/2