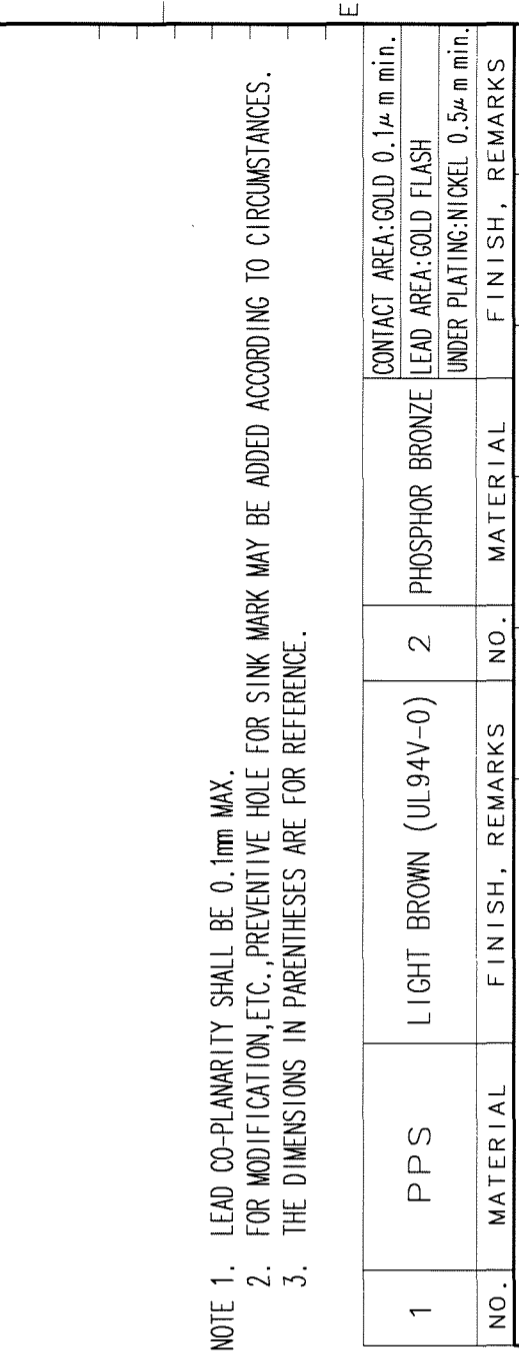
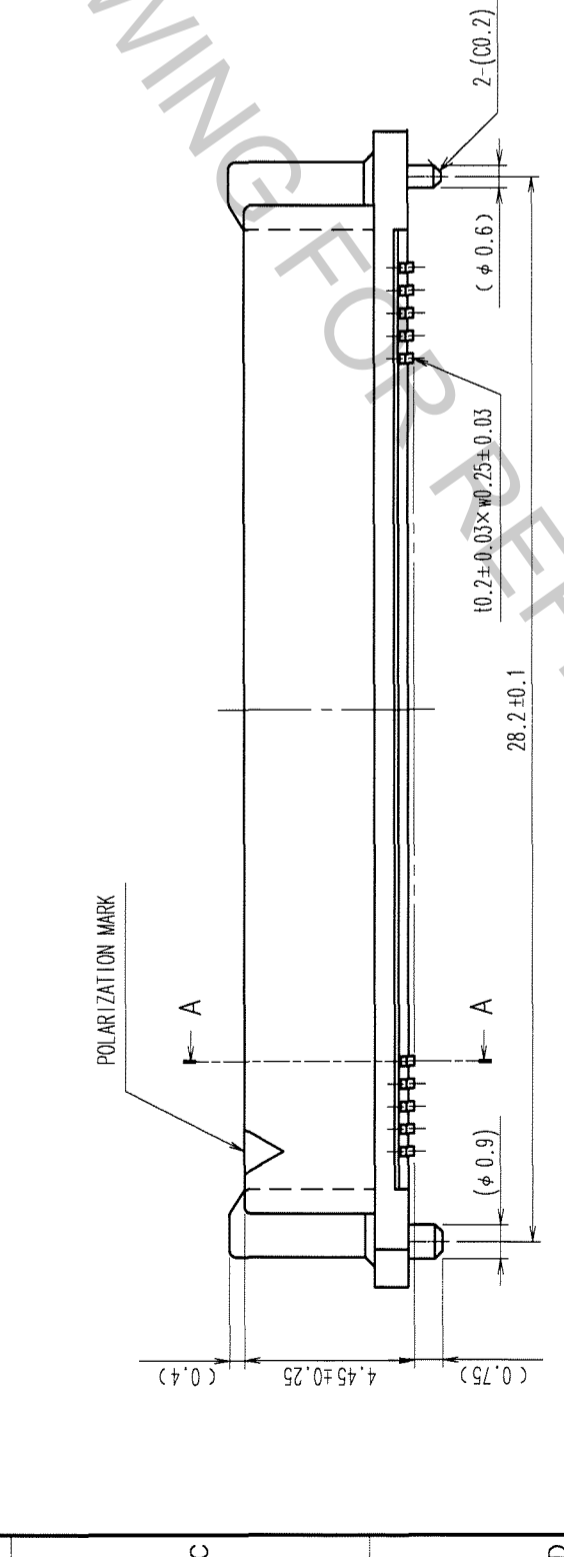
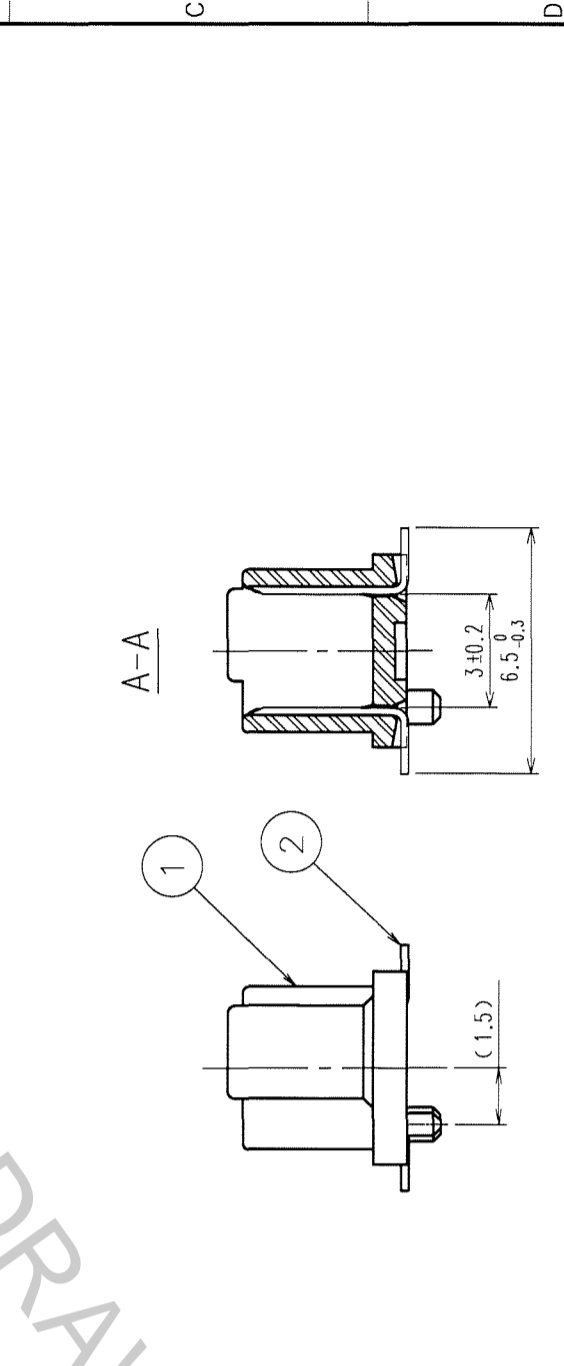
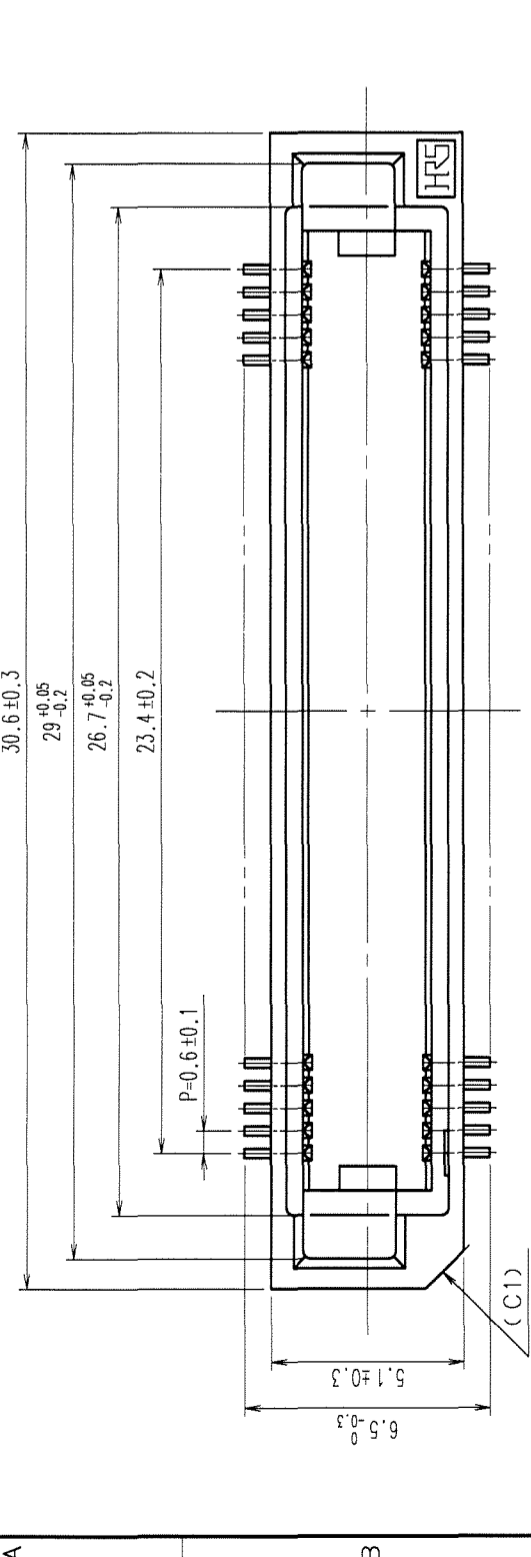
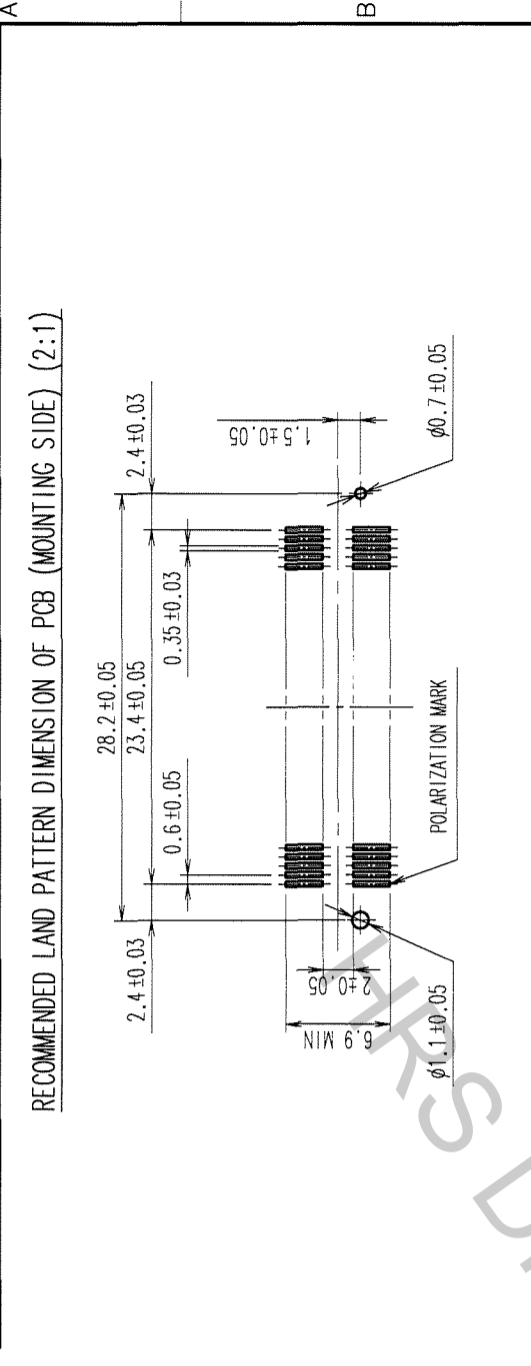


COUNT DESCRIPTION OF REVISIONS	BY	CHKD	DATE	COUNT DESCRIPTION OF REVISIONS	BY	CHKD	DATE



NOTE 1. LEAD CO-PLANARITY SHALL BE 0.1mm MAX.
 2. FOR MODIFICATION, ETC., PREVENTIVE HOLE FOR SINK MARK MAY BE ADDED ACCORDING TO CIRCUMSTANCES.
 3. THE DIMENSIONS IN PARENTHESES ARE FOR REFERENCE.

1	PPS	LIGHT BROWN (UL94V-0)	2	PHOSPHOR BRONZE	CONTACT AREA: GOLD 0.1μm min. LEAD AREA: GOLD FLASH UNDER PLATING: NICKEL 0.5μm min.
NO.	MATERIAL	FINISH, REMARKS	NO.	MATERIAL	FINISH, REMARKS
CL					
DRAWN		DESIGNED		CHECKED	
K. NAKAMURA		K. NAKAMURA		K. Ogawa	
05.11.15		05.11.15		05.11.16	
05.11.15		05.11.15		05.11.16	
APPROVED		APPROVED		RELEASED	
H. Okawa		H. Okawa		H. Okawa	
05.11.16		05.11.16		05.11.16	
DRAWING NO. EDC3-150822-25			PART NO. FX8C-80P-SV(71)		
SCALE 5:1			CODE NO. CL578-0503-4-71		
UNITS mm			1		

TO	
PCK	