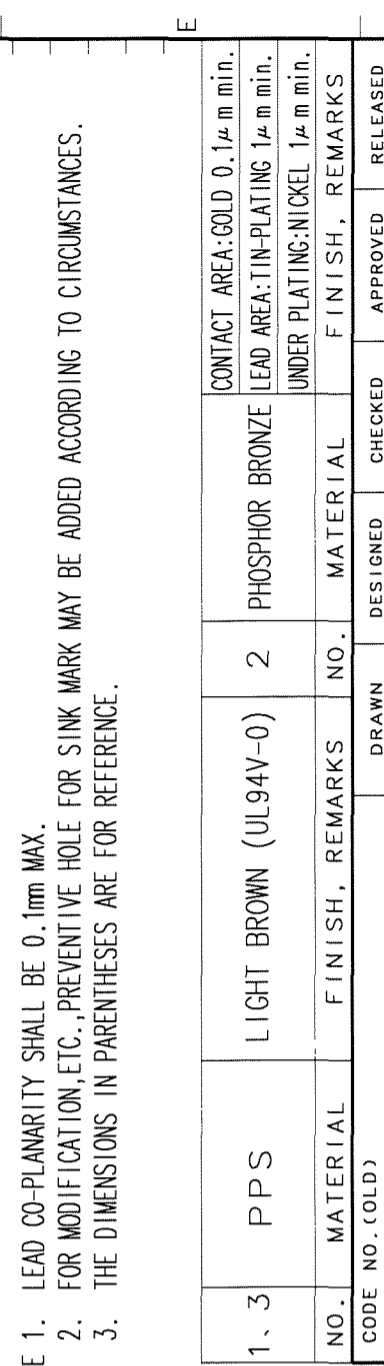
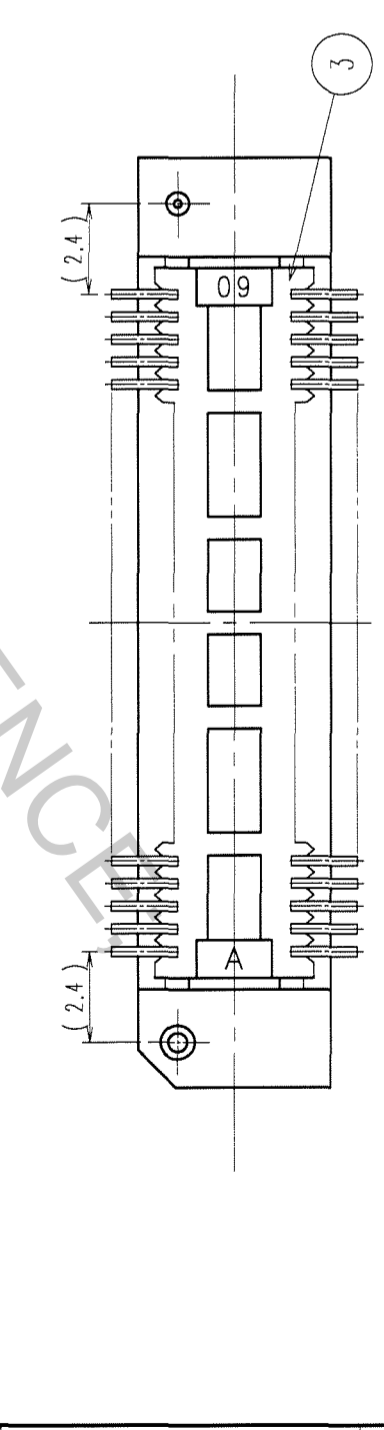
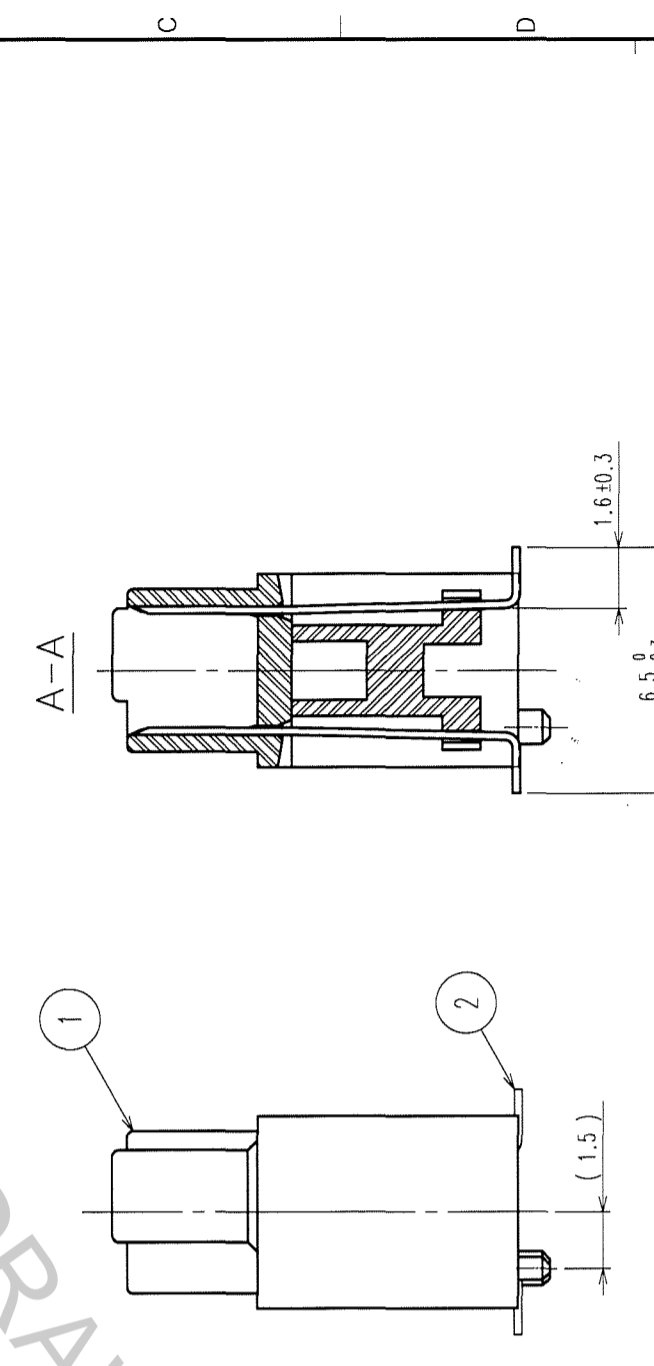
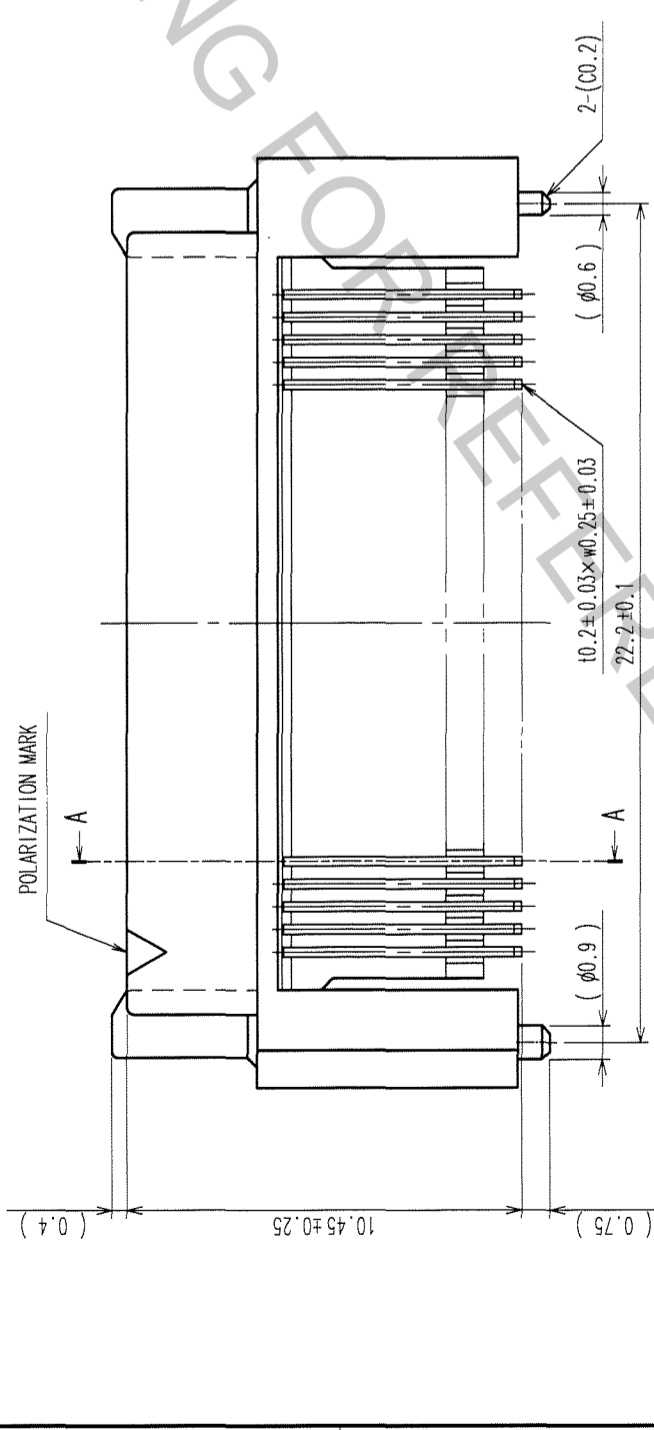
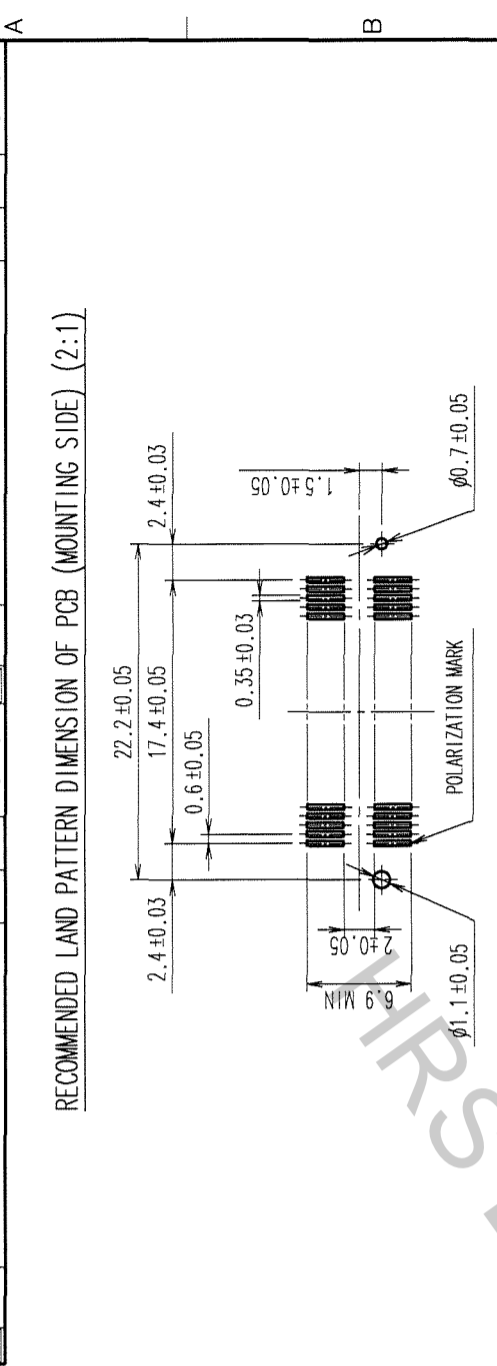
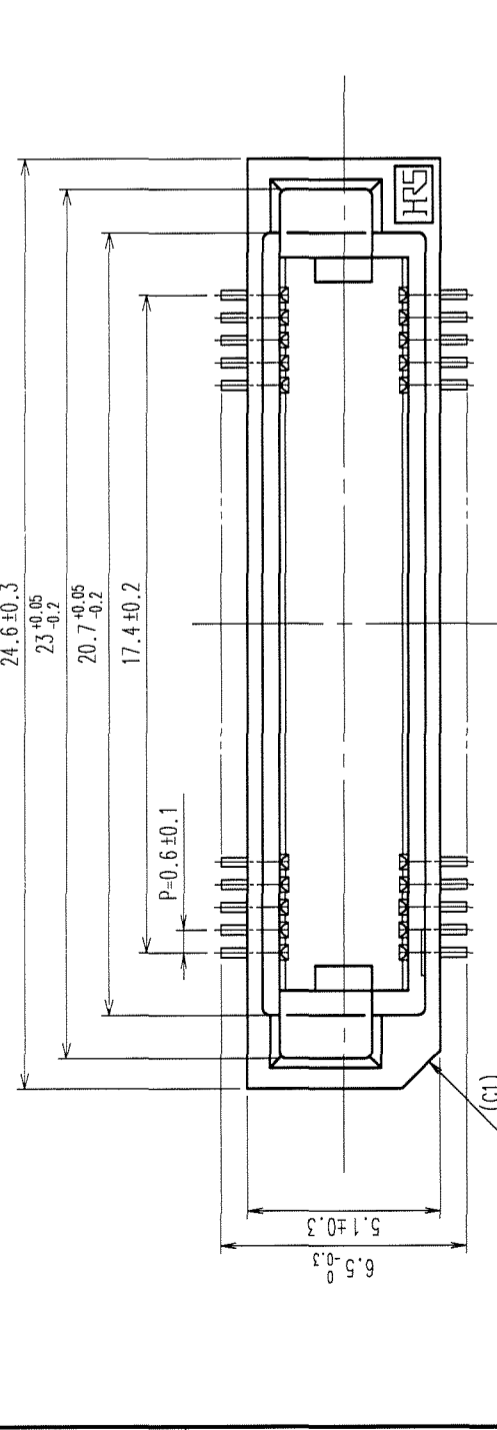


COUNT	DESCRIPTION OF REVISIONS	BY	CHKD	DATE	COUNT	DESCRIPTION OF REVISIONS	BY	CHKD	DATE
△					△				
△					△				
△					△				



NOTE 1. LEAD CO-PLANARITY SHALL BE 0.1mm MAX.
 2. FOR MODIFICATION, ETC., PREVENTIVE HOLE FOR SINK MARK MAY BE ADDED ACCORDING TO CIRCUMSTANCES.
 3. THE DIMENSIONS IN PARENTHESES ARE FOR REFERENCE.

1-3	PPS	LIGHT BROWN (UL94V-0)	2	PHOSPHOR BRONZE	CONTACT AREA: GOLD 0.1μm min. LEAD AREA: TIN-PLATING 1μm min. UNDER PLATING: NICKEL 1μm min.
NO.	MATERIAL	FINISH, REMARKS	NO.	MATERIAL	FINISH, REMARKS
CODE NO. (COLD)	CL				
DRAWN		DESIGNED		CHECKED	
K. NAKAMURA		K. NAKAMURA		K. NAKAMURA	
05.11.18		05.11.18		05.11.21	
DRAWING NO.		PART NO.		APPROVED	
EDC3-150871-25		FX8C-60P-SV6(71)		H. Ito	
SCALE		CODE NO.		RELEASED	
5:1		CL578-0601-3-71		05.11.21	
UNITS					
mm					

TO PCK