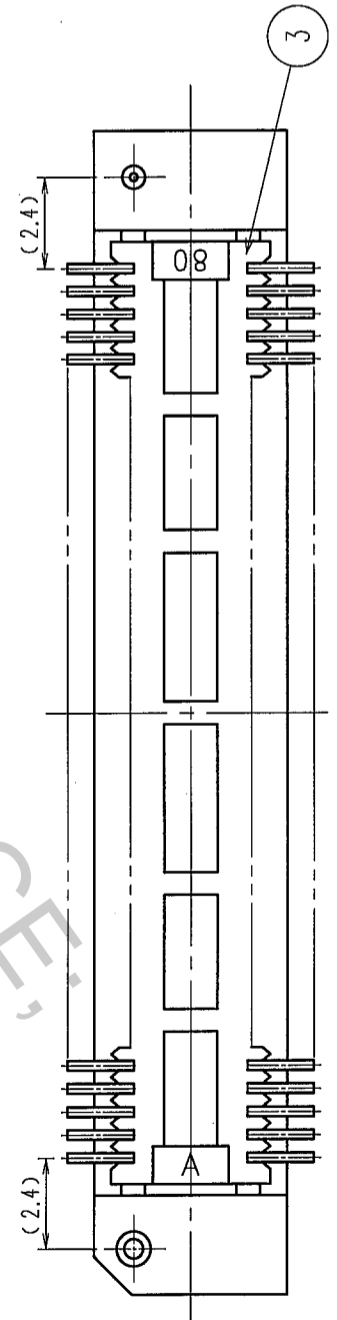
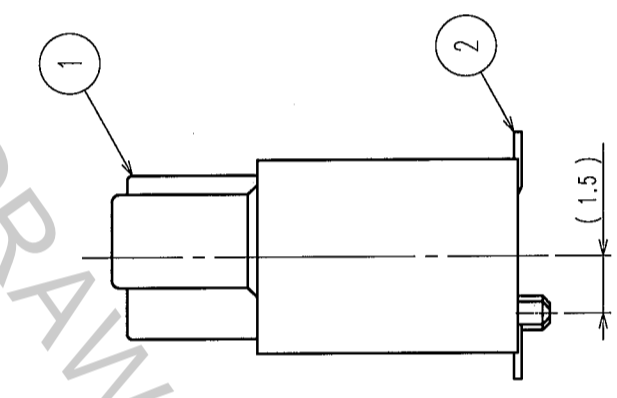
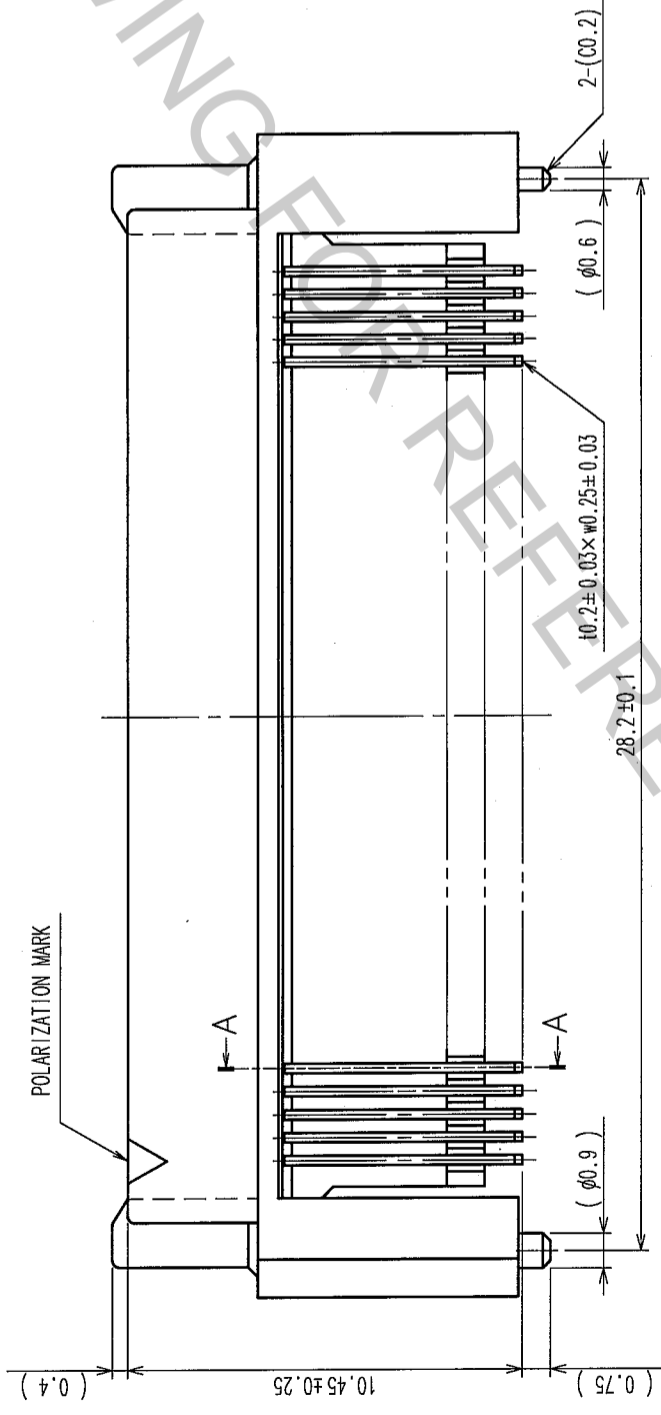
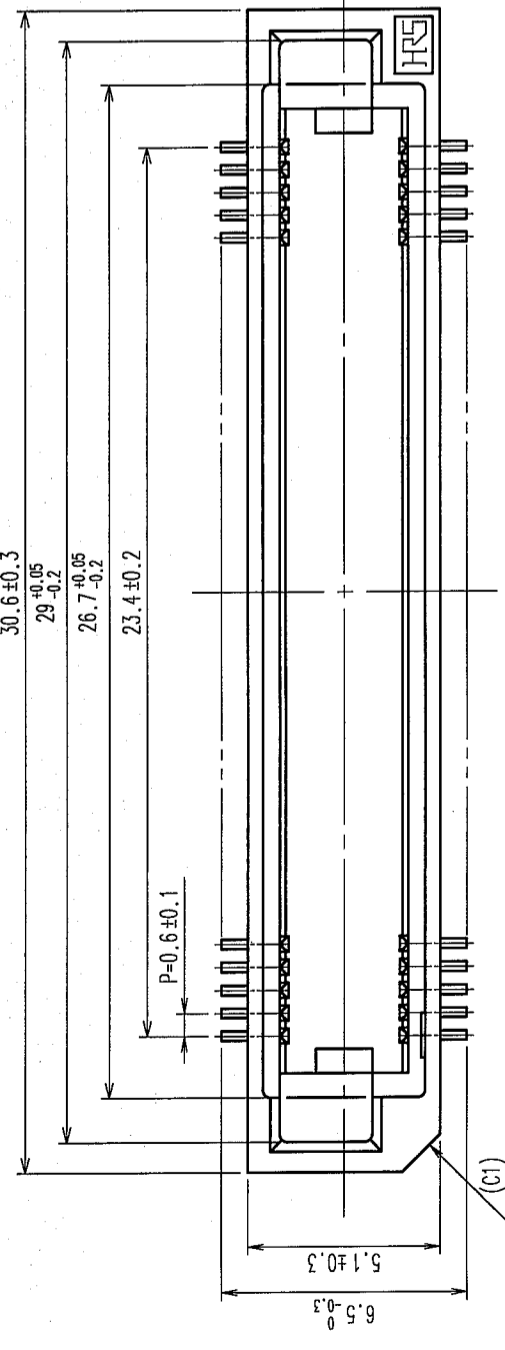
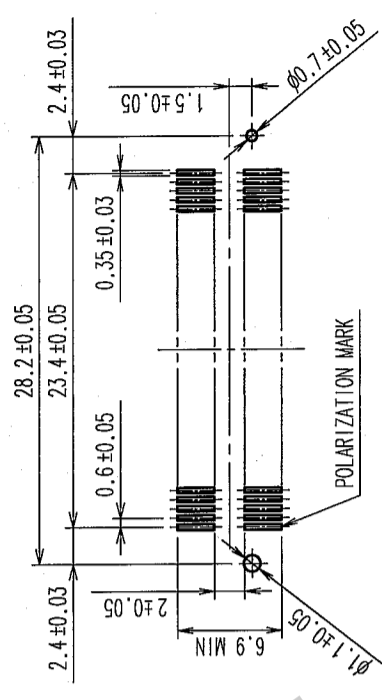


COUNT	DESCRIPTION OF REVISIONS	BY	CHKD	DATE	COUNT	DESCRIPTION OF REVISIONS	BY	CHKD	DATE
△									
△									
△									

COUNT	DESCRIPTION OF REVISIONS	BY	CHKD	DATE	COUNT	DESCRIPTION OF REVISIONS	BY	CHKD	DATE
△									
△									
△									

TO  
PCK

RECOMMENDED LAND PATTERN DIMENSION OF PCB (MOUNTING SIDE) (2:1)



- NOTE 1. LEAD CO-PLANARITY SHALL BE 0.1mm MAX.  
 2. TUBE PACKAGING SHALL BE APPLIED FOR THIS PRODUCT.  
 SEE NEXT PAGE FOR DETAILS.  
 3. FOR MODIFICATION, ETC., PREVENTIVE HOLE FOR SINK MARK MAY BE ADDED ACCORDING TO CIRCUMSTANCES.  
 4. THE DIMENSIONS IN PARENTHESES ARE FOR REFERENCE.

NO.	MATERIAL	FINISH, REMARKS	NO.	MATERIAL	FINISH, REMARKS
1, 3	PPS	LIGHT BROWN (UL94V-0)	2	PHOSPHOR BRONZE	

CONTACT AREA:	REMARKS
GOLD 0.1μm min.	
TIN-PLATING 1μm min.	
UNDER PLATING-NICKEL 1μm min.	

CODE NO. (OLD)	CL	DRAWN	DESIGNED	CHECKED	APPROVED	RELEASED
		S. Kamiga	H. Oyamada	H. Oyamada	H. Oyamada	
		'05.11.22	'05.11.22	'05.11.22	'05.11.22	

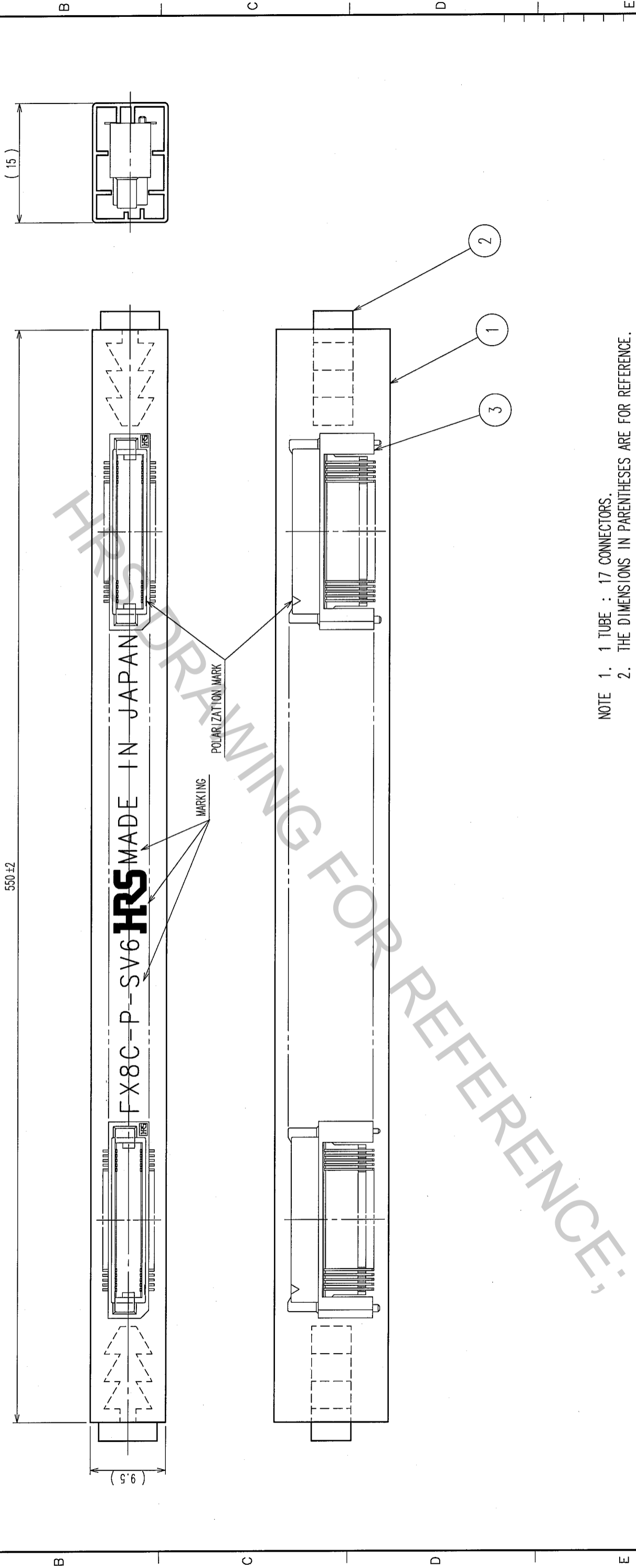
  

DRAWING NO.	PART NO.
EDC3-150872-21	FX8C-80P-SV6(91)

SCALE	UNITS	CODE NO.
5:1	mm	CL578-0603-9-91

COUNT	DESCRIPTION OF REVISIONS	BY	CHKD	DATE	COUNT	DESCRIPTION OF REVISIONS	BY	CHKD	DATE
△					△				
△					△				
△					△				



NOTE 1. 1 TUBE : 17 CONNECTORS.  
 2. THE DIMENSIONS IN PARENTHESES ARE FOR REFERENCE.

NO.	MATERIAL	FINISH, REMARKS	DRAWN	DESIGNED	CHECKED	APPROVED	RELEASED
2	POLYVINYL CHLORIDE (STOPPER)		S. Kamigata	H. Nakamura	T. Ogawa	H. Okawa	
	CL		'05.11.22	'05.11.22	'05.11.22	'05.11.22	
3	POLYVINYL CHLORIDE (CONNECTOR)						
1	POLYVINYL CHLORIDE (TUBE)						

DRAWING NO.	EDC3-150872-21	PART NO.	FX8C-80P-SV6(91)
SCALE	FREE		
UNITS	mm		
HIROSE ELECTRIC CO., LTD		CODE NO. CL578-0603-9-91	

TO	
PCK	