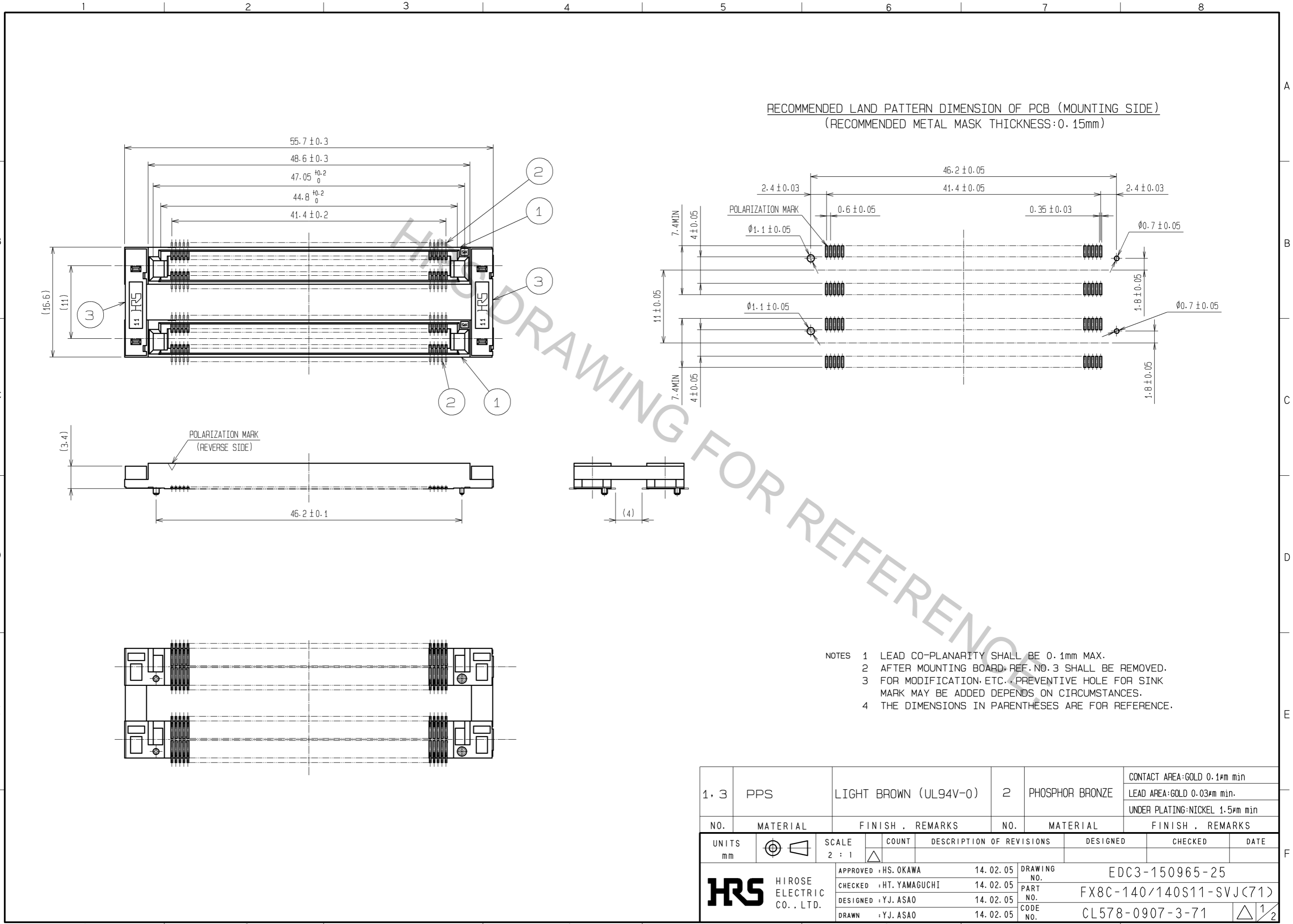


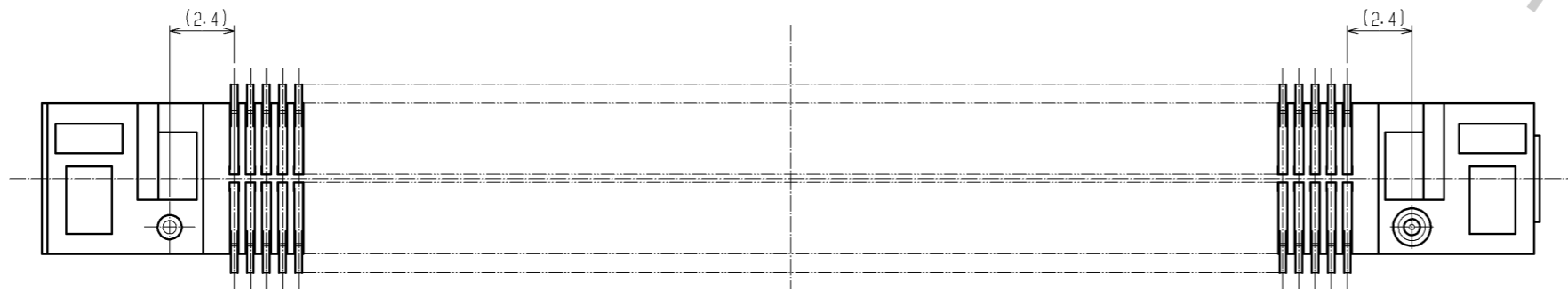
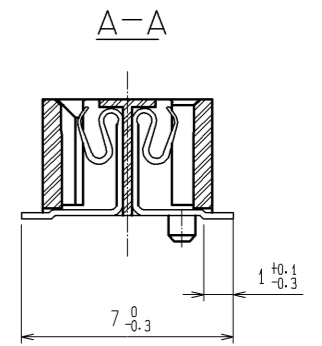
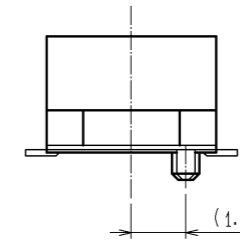
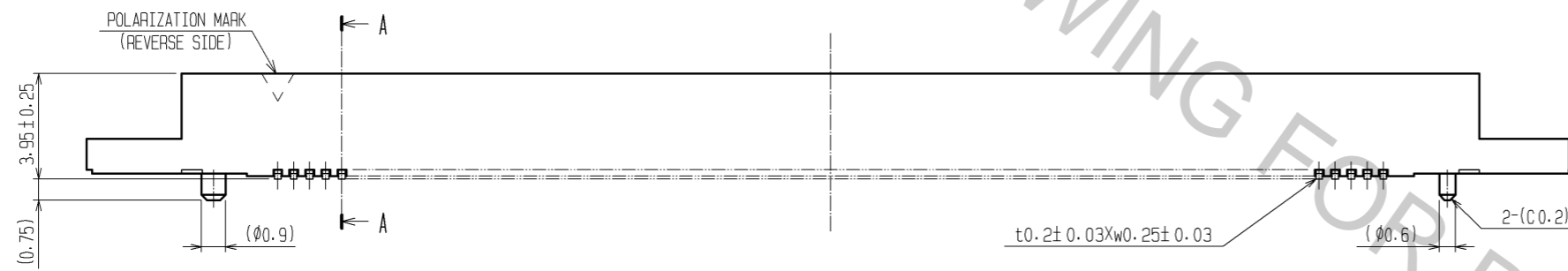
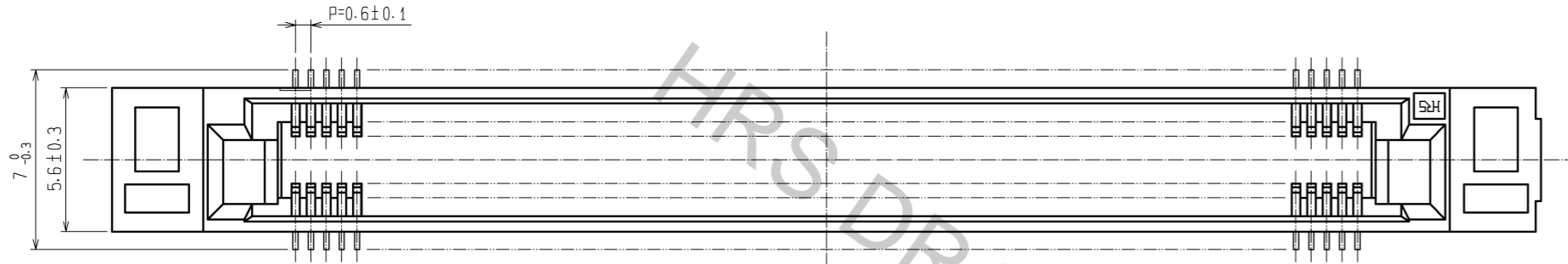
Aug.1.2016 Copyright 2016 HIROSE ELECTRIC CO., LTD. All Rights Reserved.



- NOTES
- 1 LEAD CO-PLANARITY SHALL BE 0.1mm MAX.
  - 2 AFTER MOUNTING BOARD, REF. NO. 3 SHALL BE REMOVED.
  - 3 FOR MODIFICATION, ETC., PREVENTIVE HOLE FOR SINK MARK MAY BE ADDED DEPENDS ON CIRCUMSTANCES.
  - 4 THE DIMENSIONS IN PARENTHESES ARE FOR REFERENCE.

1, 3	PPS	LIGHT BROWN (UL94V-0)	2	PHOSPHOR BRONZE	CONTACT AREA:GOLD 0.1μm min LEAD AREA:GOLD 0.03μm min. UNDER PLATING:NICKEL 1.5μm min
NO.	MATERIAL	FINISH . REMARKS	NO.	MATERIAL	FINISH . REMARKS
UNITS mm		SCALE 2 : 1	COUNT △	DESCRIPTION OF REVISIONS	DESIGNED CHECKED DATE
<b>HRS</b> HIROSE ELECTRIC CO., LTD.		APPROVED : HS. OKAWA	14. 02. 05	DRAWING NO. EDC3-150965-25	
		CHECKED : HT. YAMAGUCHI	14. 02. 05	PART NO. FX8C-140/140S11-SVJ(71)	
		DESIGNED : YJ. ASAO	14. 02. 05	CODE NO. CL578-0907-3-71	
		DRAWN : YJ. ASAO	14. 02. 05	△ 1/2	

DETAIL AFTER REMOVING JOINT(4:1)



NOTE THE DIMENSIONS IN PARENTHESES ARE FOR REFERENCE.

<b>HRS</b>	DRAWING NO.	EDC3-150965-25
	PART NO.	FX8C-140/140S11-SVJ(71)
	CODE NO.	CL578-0907-3-71
		$\triangle$ 2/2