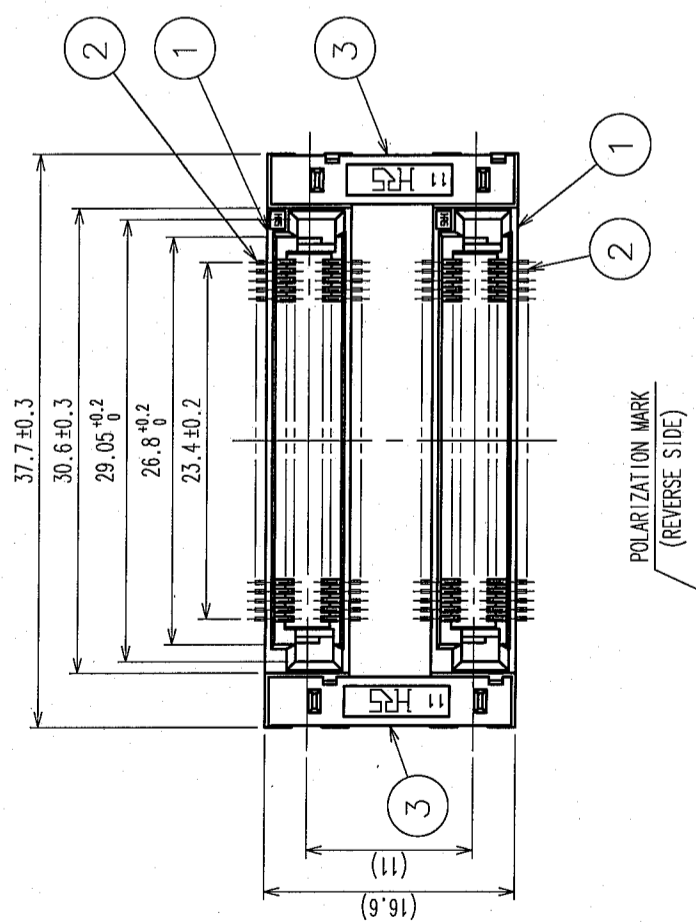
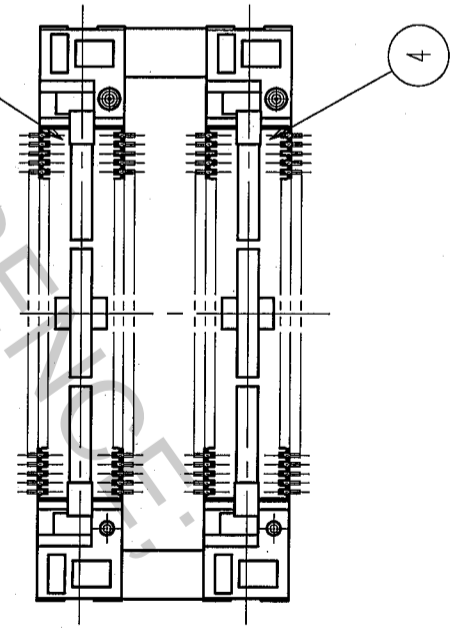
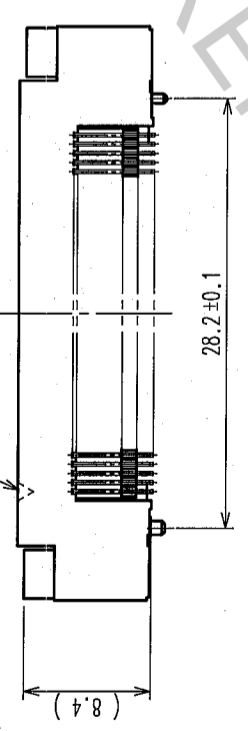
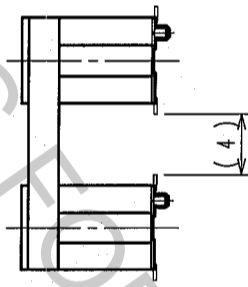
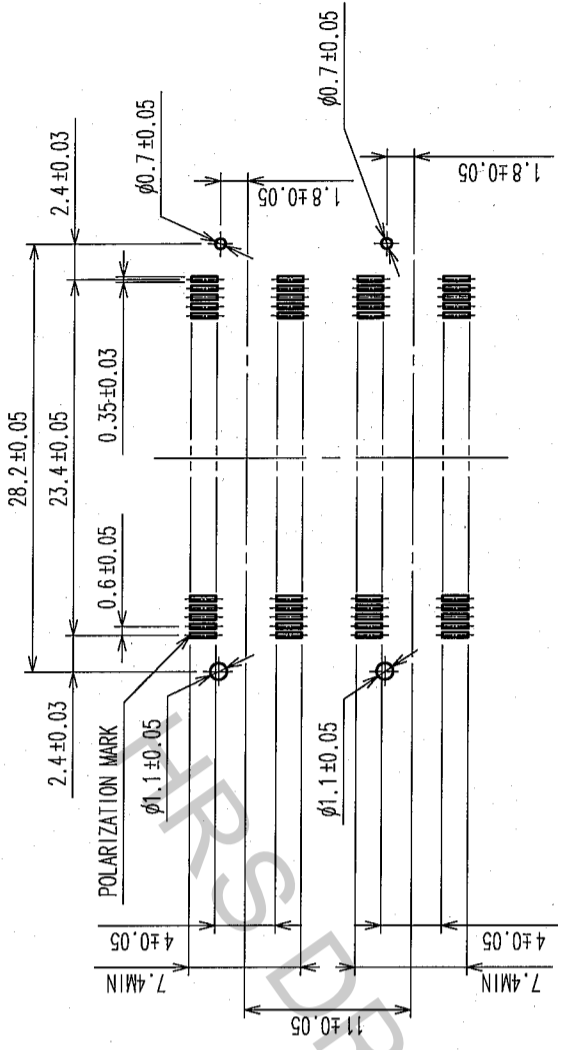


COUNT	DESCRIPTION OF REVISIONS	BY	CHKD	DATE	COUNT	DESCRIPTION OF REVISIONS	BY	CHKD	DATE
△					△				
△					△				
△					△				



RECOMMENDED LAND PATTERN DIMENSION OF PCB (MOUNTING SIDE)



- NOTES
- 1 LEAD CO-PLANARITY SHALL BE 0.1mm MAX.
  - 2 AFTER MOUNTING BOARD, REF.NO.3 SHALL BE REMOVED.
  - 3 FOR MODIFICATION, ETC., PREVENTIVE HOLE FOR SINK MARK MAY BE ADDED DEPENDS ON CIRCUMSTANCES.
  - 4 THE DIMENSIONS IN PARENTHESES ARE FOR REFERENCE.

1,3,4	PPS	LIGHT BROWN (UL94V-0)	2	PHOSPHOR BRONZE	CONTACT AREA: GOLD 0.1μm min. LEAD AREA: TIN-PLATING 1μm min. UNDER PLATING: NICKEL 1μm min.
NO.	MATERIAL	FINISH, REMARKS	NO.	MATERIAL	FINISH, REMARKS
CODE NO. (OLD) CL			DRAWN A. SUZUKAWA 06.01.27	DESIGNED <i>A. Okamura</i> 06.01.30	CHECKED <i>A. Okamura</i> 06.01.30
				APPROVED <i>A. Okamura</i> 06.01.30	RELEASED
DRAWING NO. EDC3-150972-25		PART NO. FX8C-80/80S11-SV5J(71)			
SCALE 2 : 1					
UNITS mm	CODE NO. CL578-0923-0-71				

TO	
PCK	



