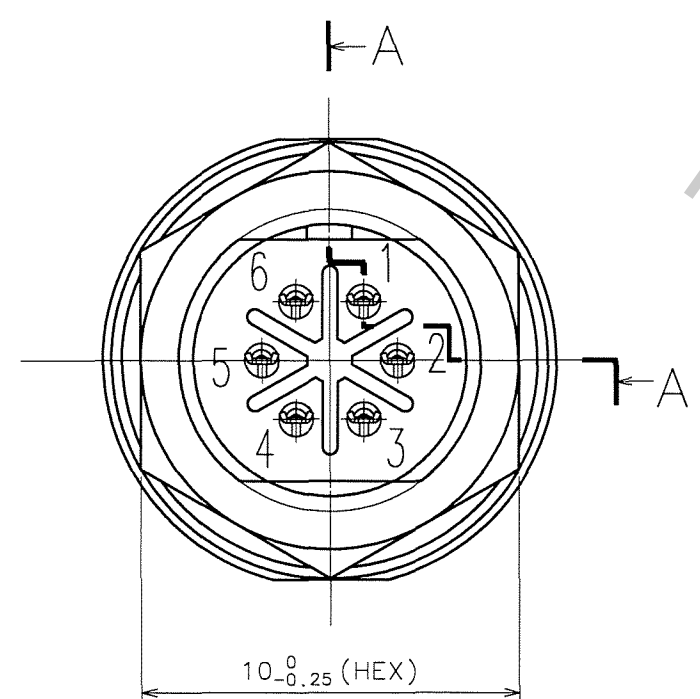
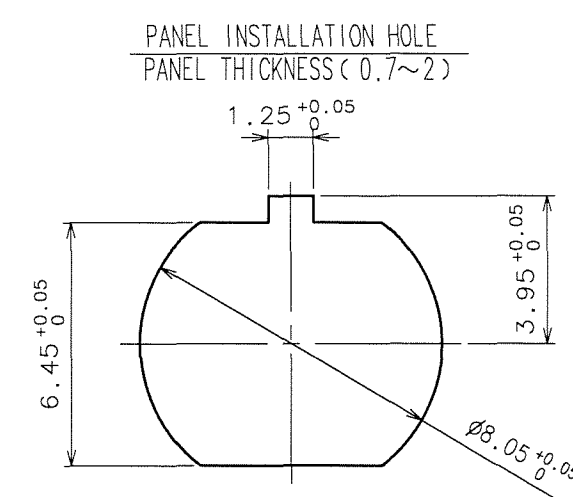
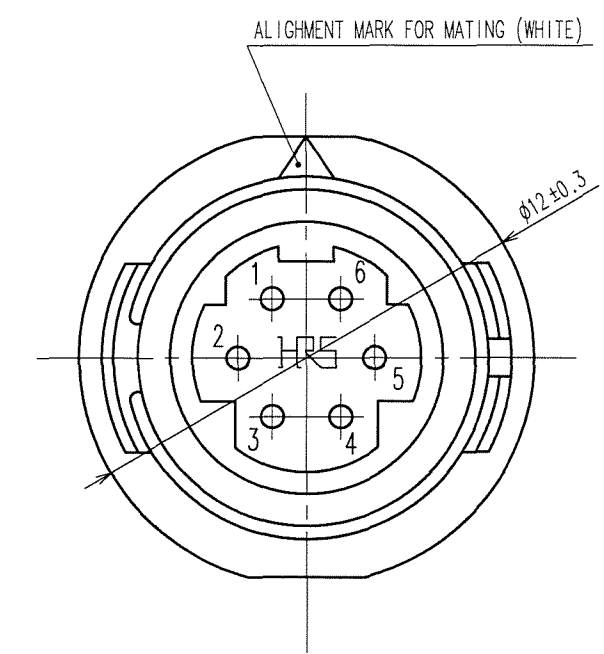
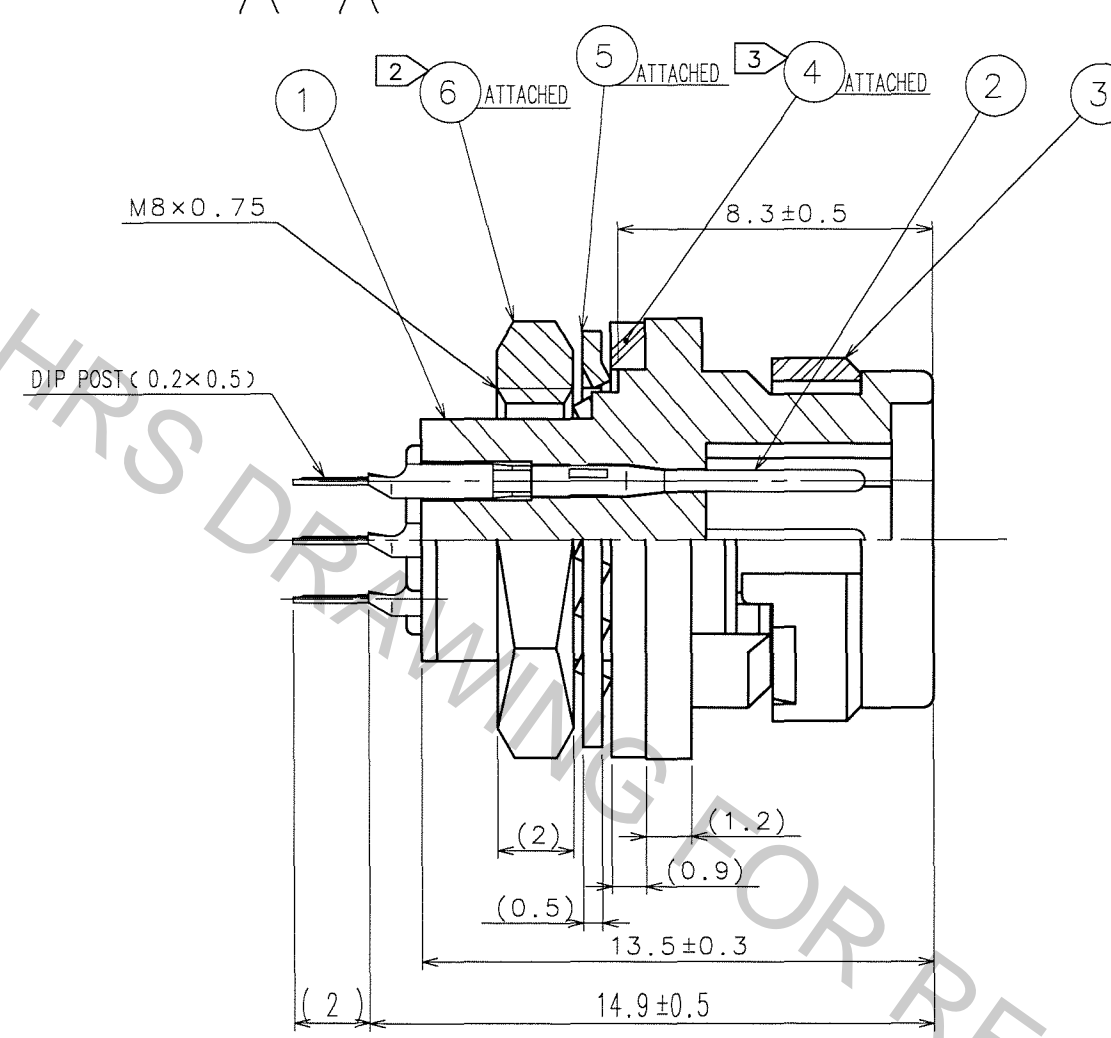
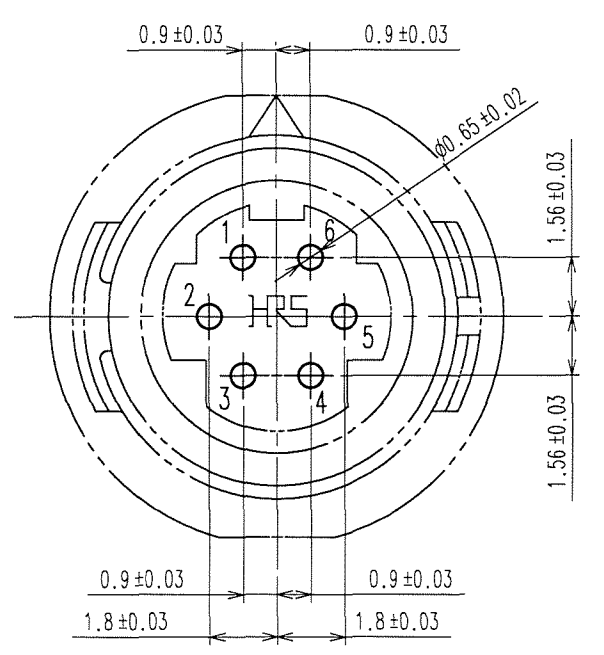


COUNT	DESCRIPTION OF REVISIONS	BY	CHKD	DATE	COUNT	DESCRIPTION OF REVISIONS	BY	CHKD	DATE
1	DIS-C-000585	T.K	E.K	07.07.27					



DIP POST LOCATION DIMENSIONS IN THE VIEW FROM CONNECTOR OPENING SIDE
(RECOMMENDED MAXIMUM PANEL THICKNESS : 1.2)



- NOTES
- ① FINISH OF REF.NO.②
CONTACT AREA : GOLD 0.2μm min.
DIP AREA : GOLD FLASH.
UNDER PLATING: NICKEL 2μm min.
 - ② RECOMMENDED TIGHTENING TORQUE OF REF.NO.⑥ : 0.5 N·m.
LOOSENED NUT MAY CAUSE THE DETERIORATION OF WATER-RESISTANCY.
THE USE OF LOOSENING-PREVENTIVE ADHESIVE IS STRONGLY RECOMMENDED.
RECOMMENDED THREAD LOCKER : LOCTITE 271, LOCKPRIMER 7649, HENKEL JAPAN LTD.
 - ③ AFTER REF.NO.④ IS INSERTED TO REF.NO.①, REF.NO.① IS MOUNTED ON THE PANEL.
MAKE SURE THAT REF.NO.④ DOES NOT HAVE ANY FACTORS TO REDUCE WATER-RESISTANCY, SUCH AS SCRATCH, TWIST, PINCHING, OR DUST.

3	PPS	(BLACK) UL94V-0	6	BRASS	NICKEL PLATING
2	COPPER ALLOY	①	5	PHOSPHOR BRONZE	NICKEL PLATING
1	PPS	(BLACK) UL94V-0	4	CR	(BLACK)
NO.	MATERIAL	FINISH, REMARKS	NO.	MATERIAL	FINISH, REMARKS

CODE NO. (OLD) CL		DRAWN E.KUNII	DESIGNED E.KUNII	CHECKED	APPROVED M.SATO	RELEASED
		'05 10 14	'05 10 14		'05 10 17	
DRAWING NO. EDC3-113558-71			PART NO. HR30-6R-6PD(71)			
SCALE 5 : 1			CODE NO. CL130-1020-3-71			
UNITS mm			HRS HIROSE ELECTRIC CO., LTD			

TO
R

Aug.1.2016 Copyright 2016 HIROSE ELECTRIC CO., LTD. All Rights Reserved.