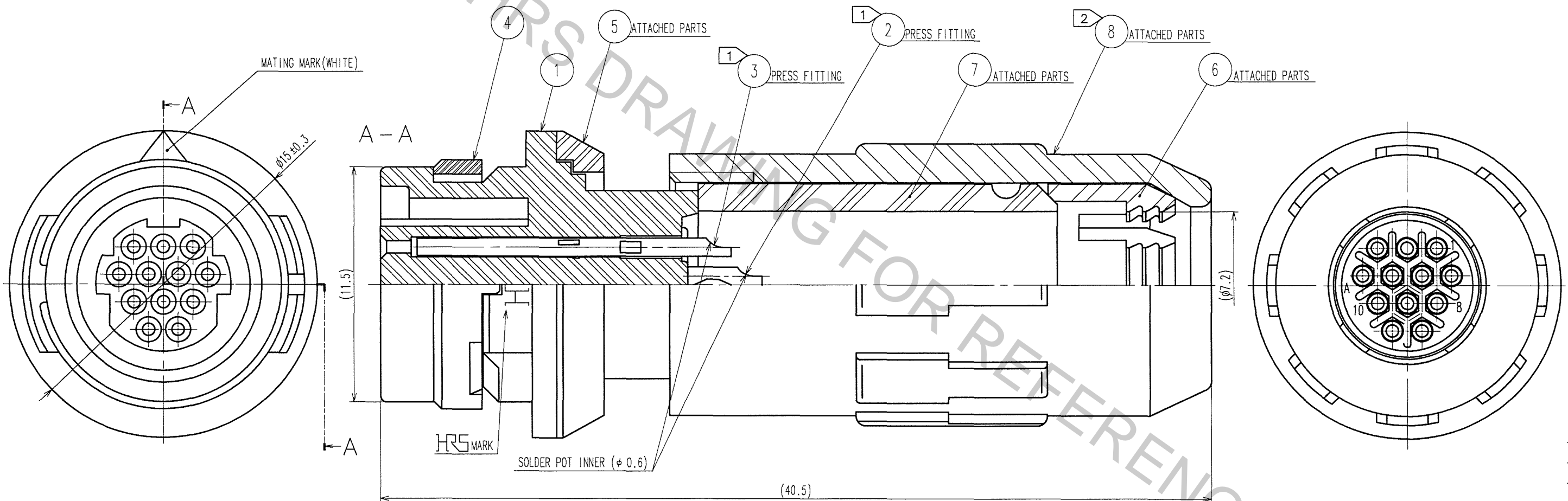
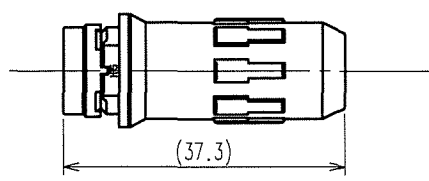


Aug.1.2016 Copyright 2016 HIROSE ELECTRIC CO., LTD. All Rights Reserved.

COUNT	DESCRIPTION OF REVISIONS	BY	CHKD	DATE	COUNT	DESCRIPTION OF REVISIONS	BY	CHKD	DATE
1	DIS-C-000490	T.H.E.K		07.01.31					

LIFE SIZE(1:1)



- NOTES
- ① PLATING(REF.NO.②)
 - CONTACT AREA : GOLD PLATING 0.2μ m min.
 - LEAD AREA : GOLD PLATING FLASH.
 - UNDER PLATING : NICKEL PLATING 2μ m min.
 - ② RECOMMENDED TIGHTENING TORQUE OF REF.NO.⑧ : 0.5 N·m
 APPLY THREAD LOCKER TO PREVENT THE POSSIBILITY OF LOOSING WATERPROOF EFFECTIVENESS WHEN THREADED POSITION IS LOOSEN.
 RECOMMENDED THREAD LOCKER : LOCTITE 271, LOCKPRIMER 7649, HENKEL JAPAN LTD.
 - ③ APPLICABLE JIGS
 SOLDER TERMINATION FIXTURE :HR30-8J-12SC-T01(CL150-0226-8)
 TIGHTENING COLLAR FOR BACK SHELL(REF.NO.⑧) :HR30-8P-T02(CL150-0224-2)
 - △④ THE CABLE PULL AND TWISTING STRENGTH AND OTHER CHARACTERISTICS MAY DIFFER, DEPENDING ON THE CABLE STRUCTURE. PLEASE CONFIRM BEFORE THE USE.

4	PPS	(BLACK)	UL94V-0	8	PPS	(BLACK)	UL94V-0
3	PHOSPHOR BRONZE	①		7	CR	(BLACK)	
2	PHOSPHOR BRONZE	①		6	POLYACETAL	(NATURAL)	
1	PPS	(BLACK)	UL94V-0	5	PBT	(BLACK)	UL94V-0
NO.	MATERIAL	FINISH, REMARKS		NO.	MATERIAL	FINISH, REMARKS	

CODE NO. (OLD) CL	DRAWN E.KUNII '05.10.14	DESIGNED E.KUNII '05.10.14	CHECKED .	APPROVED M.SATO '05.10.17	RELEASED .
----------------------	-------------------------------	----------------------------------	--------------	---------------------------------	---------------

SCALE 5 : 1	DRAWING NO. EDC3-113841-71	PART NO. HR30-8J-12S(71)
UNITS mm	HRS HIROSE ELECTRIC CO., LTD	CODE NO. CL130-2019-0-71

TO
R