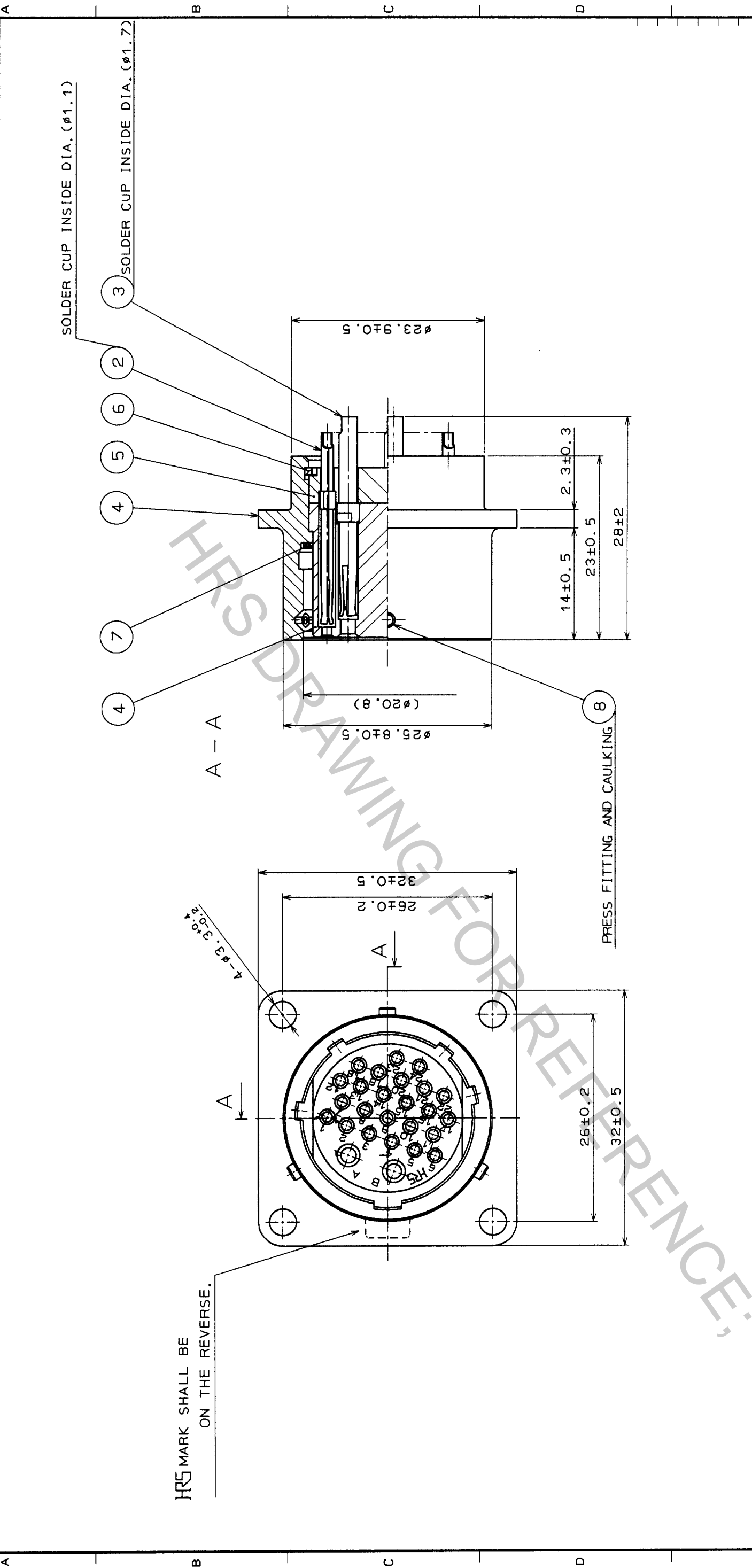


NO.	DESCRIPTION OF REVISIONS	BY	CHKD	DATE	COUNT	DESCRIPTION OF REVISIONS	BY	CHKD	DATE



NO.	MATERIAL	FINISH	REMARKS	NO.	MATERIAL	FINISH	REMARKS
4	PHENOL-FORMALDEHYDE (BLACK)	UL94V-0		8	STAINLESS STEEL		
3	BRASS	SILVER PLATING		7	STAINLESS STEEL		
2	BRASS	SILVER PLATING		6	PHOSPHOR BRONZE	NICKEL PLATING	
1	ALUMINUM ALLOY	MATTE FINISH NICKEL PLATED		5	PHENOL-FORMALDEHYDE (BLACK)	UL94V-0	

CODE NO. (OLD)	DESIGNED	CHECKED	APPROVED	RELEASED
	H.Kishi	H.Kishi	<i>M. Yoshida</i>	
	97.7.14	97.7.19	97.7.16	

DRAWING NO.	PART NO.
EDC3-020923	JRC21BRA-26S
SCALE	CODE NO.
2:1	CL114-0270-6
UNITS	
mm	

NOTE 1 AN EXAMPLE OF SOLDER CUP DIRECTON REF. NO. @ AND ③ IS SHOWN.

TO	
R	