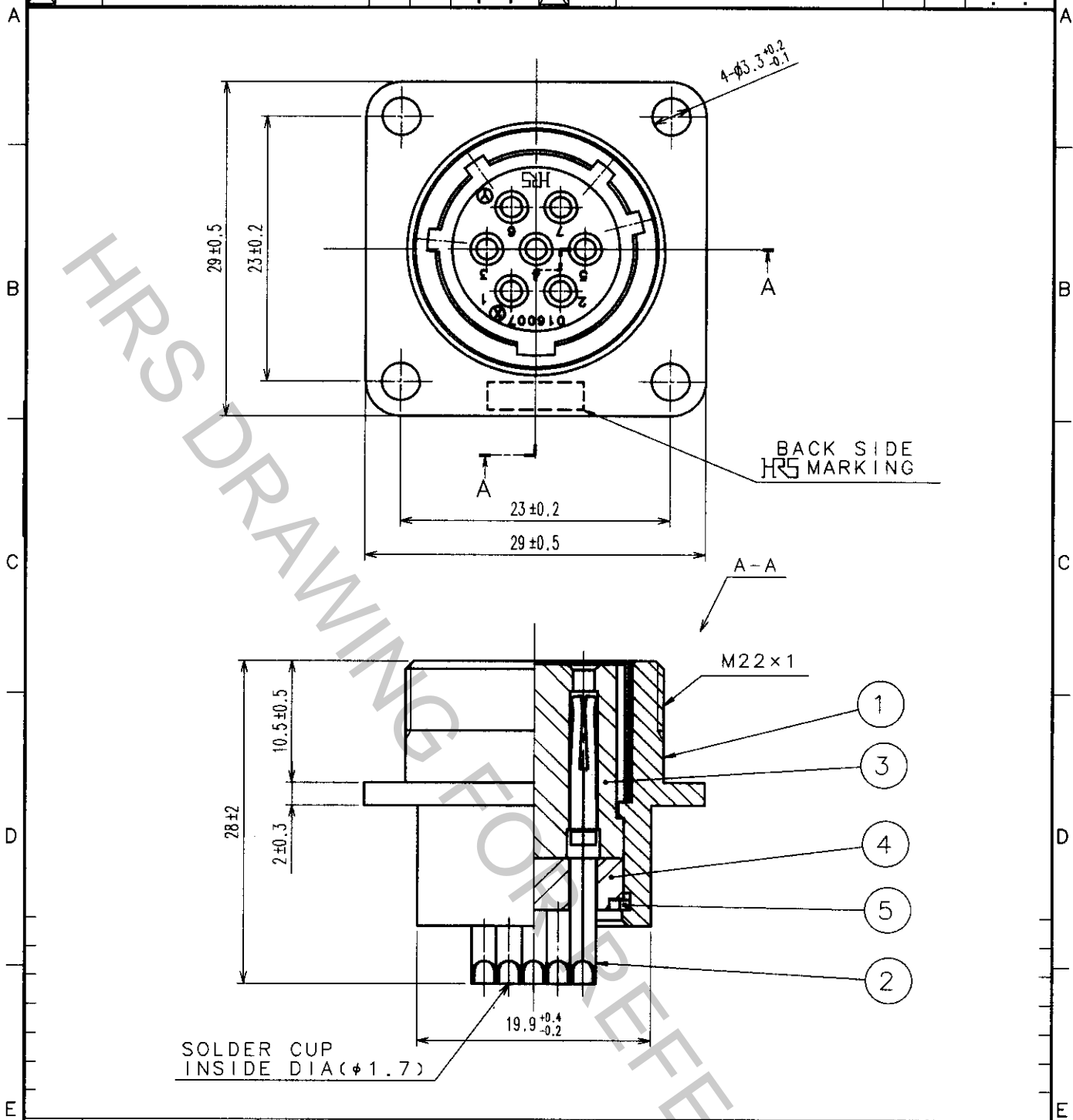


Aug.1.2016 Copyright 2016 HIROSE ELECTRIC CO., LTD. All Rights Reserved.

| 1 | | 2 | | | 3 | | | 4 | | |
|-------|--------------------------|----|------|------|-------|--------------------------|----|------|------|--|
| COUNT | DESCRIPTION OF REVISIONS | BY | CHKD | DATE | COUNT | DESCRIPTION OF REVISIONS | BY | CHKD | DATE | |
| △ | | | | | △ | | | | | |
| △ | | | | | △ | | | | | |
| △ | | | | | △ | | | | | |



| 3 | PHENOL FORMALDEHYDE (BLACK) UL94V-0 | | 5 | PHOSPHOR BRONZE NICKEL PLATING | |
|-----|---|-----------------|-----|-------------------------------------|-----------------|
| 2 | COPPER ALLOY SILVER PLATING, 2μm | | 4 | PHENOL FORMALDEHYDE (BLACK) UL94V-0 | |
| 1 | ALUMINUM ALLOY MATTE FINISH NICKEL PLATED | | | | |
| NO. | MATERIAL | FINISH, REMARKS | NO. | MATERIAL | FINISH, REMARKS |

| | | | | | |
|----------------|------------------|------------------|-----------------|--------------------|----------|
| CODE NO. (OLD) | DRAWN | DESIGNED | CHECKED | APPROVED | RELEASED |
| | <i>H. Nagano</i> | <i>H. Nagano</i> | <i>E. Kunii</i> | <i>M. Oyashida</i> | |
| | 02.07.08 | 02.07.08 | 02.07.09 | 02.07.11 | |

| | | |
|-----------------------------------|-------------------------------|--------------------------|
| SCALE 2 : 1 UNITS mm | DRAWING NO. EDC4-024153 | PART NO. JR16RK-7S |
| | HIROSE ELECTRIC CO., LTD. | CODE NO. CL114-0527-0 |

TO
R