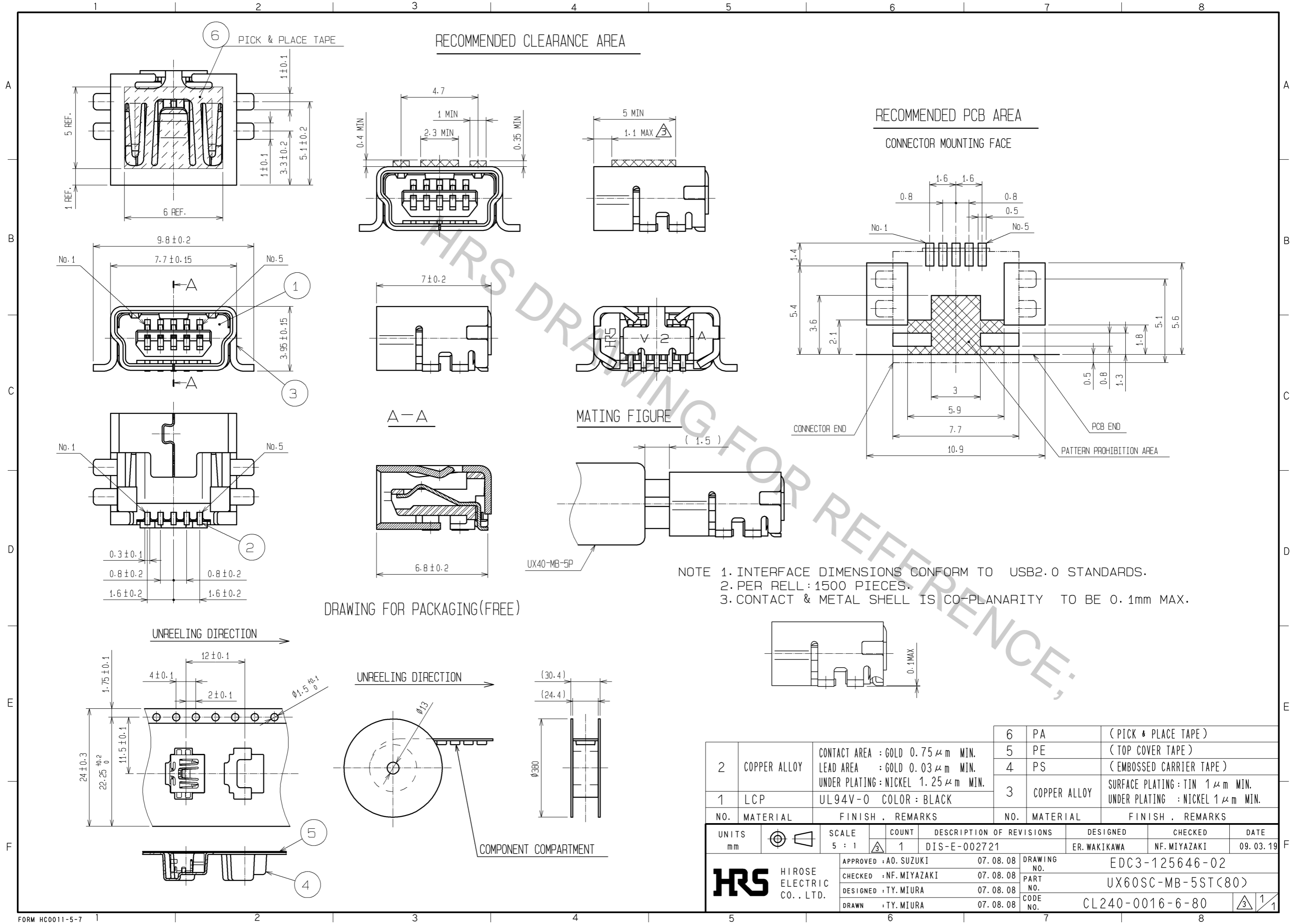


Aug.1.2016 Copyright 2016 HIROSE ELECTRIC CO., LTD. All Rights Reserved.



NO.	MATERIAL	FINISH .	REMARKS	NO.	MATERIAL	FINISH .	REMARKS
6	PA		(PICK & PLACE TAPE)	6	PA		(PICK & PLACE TAPE)
5	PE		(TOP COVER TAPE)	5	PE		(TOP COVER TAPE)
4	PS		(EMBOSSED CARRIER TAPE)	4	PS		(EMBOSSED CARRIER TAPE)
3	COPPER ALLOY		SURFACE PLATING : TIN 1 μm MIN. UNDER PLATING : NICKEL 1 μm MIN.	3	COPPER ALLOY		SURFACE PLATING : TIN 1 μm MIN. UNDER PLATING : NICKEL 1 μm MIN.
2	COPPER ALLOY		CONTACT AREA : GOLD 0.75 μm MIN. LEAD AREA : GOLD 0.03 μm MIN. UNDER PLATING : NICKEL 1.25 μm MIN.	2	COPPER ALLOY		CONTACT AREA : GOLD 0.75 μm MIN. LEAD AREA : GOLD 0.03 μm MIN. UNDER PLATING : NICKEL 1.25 μm MIN.
1	LCP		UL94V-0 COLOR : BLACK	1	LCP		UL94V-0 COLOR : BLACK

UNITS	SCALE	COUNT	DESCRIPTION OF REVISIONS	DESIGNED	CHECKED	DATE
mm	5 : 1	1	DIS-E-002721	ER. WAKIKAWA	NF. MIYAZAKI	09. 03. 19

HRS HIROSE ELECTRIC CO., LTD.	APPROVED : A0. SUZUKI	07. 08. 08	DRAWING NO.	EDC3-125646-02
	CHECKED : NF. MIYAZAKI	07. 08. 08	PART NO.	UX60SC-MB-5ST(80)
	DESIGNED : TY. MIURA	07. 08. 08	CODE NO.	CL240-0016-6-80
	DRAWN : TY. MIURA	07. 08. 08		