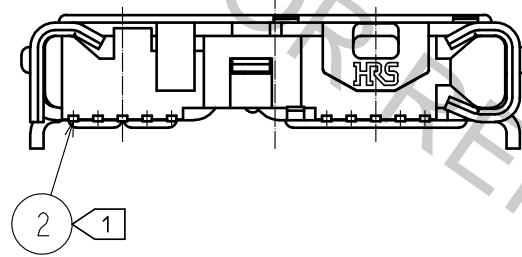
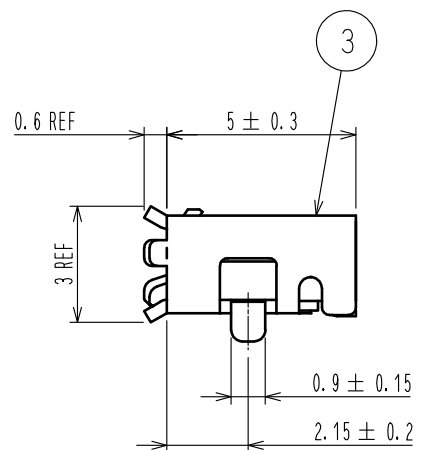
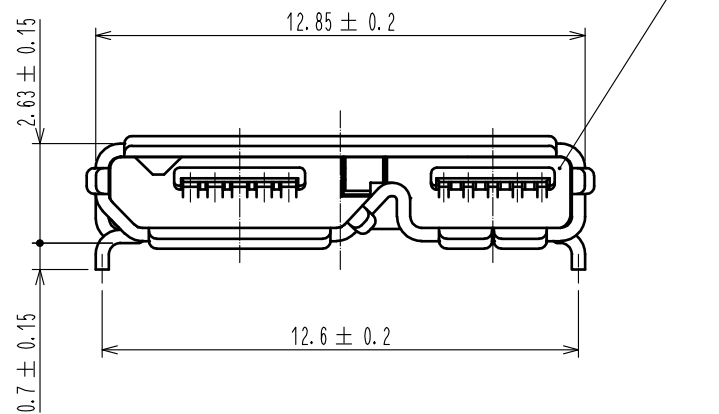
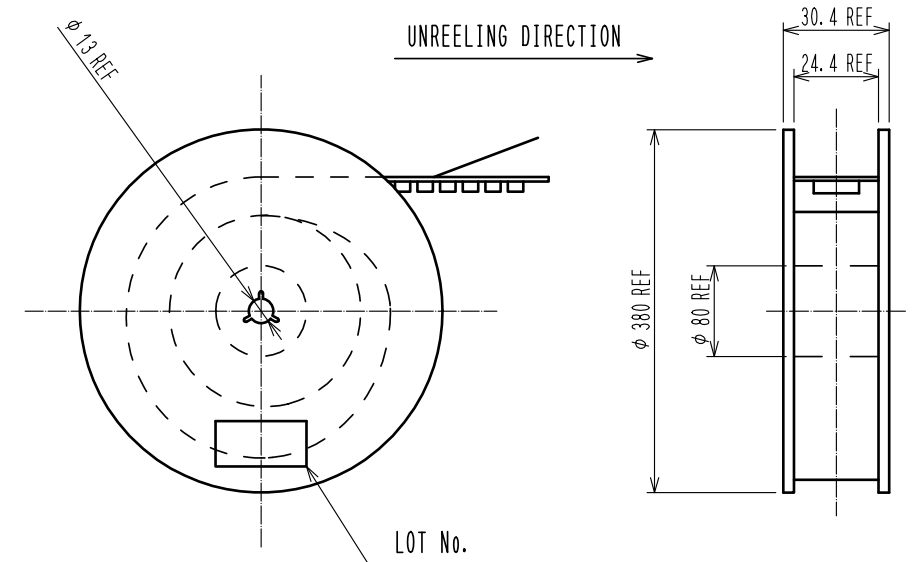
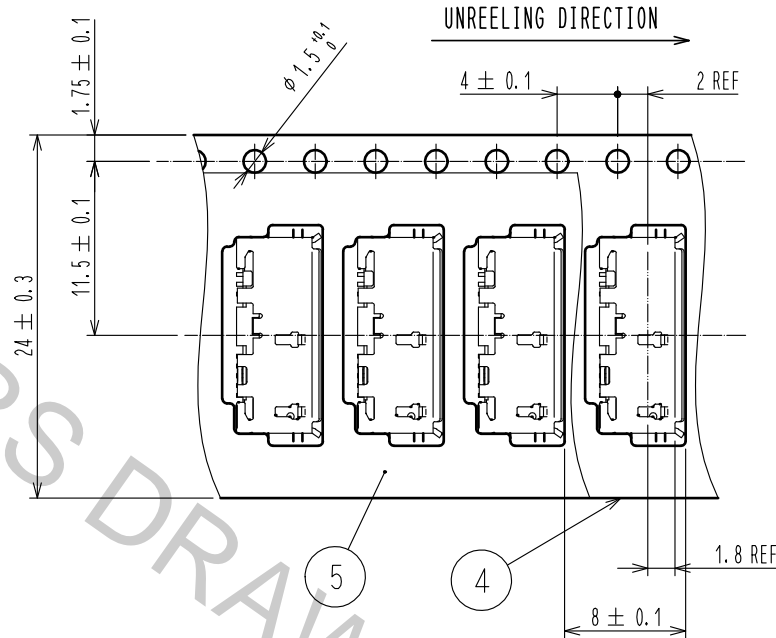
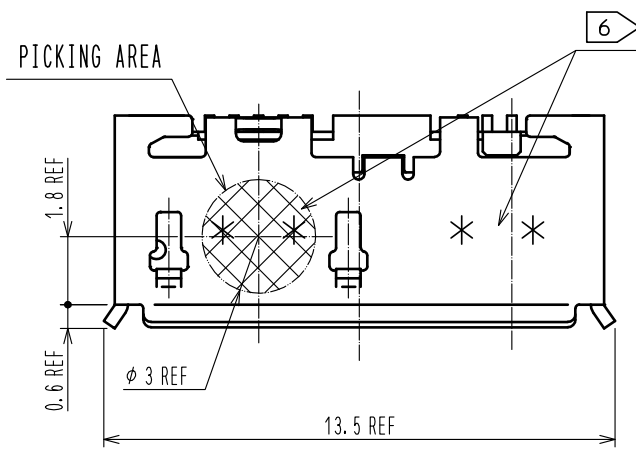


③ DRAWING FOR PACKAGING (FREE)



① ⑥ LOT NUMBER (4 DIGITS)

YEAR	MONTH	DAY	DAY	DAY	DAY	DAY	DAY	DAY	DAY	DAY	LINE No.
YEAR CODE	MONTH CODE	DAY CODE	DAY CODE	DAY CODE	DAY CODE	DAY CODE	DAY CODE	DAY CODE	DAY CODE	DAY CODE	LINE No. CODE
2009	9	Jan.	A	1	1	11	B	21	M	1	A
2010	0	Feb.	B	2	2	12	C	22	N	2	B
2011	1	Mar.	C	3	3	13	D	23	P	3	C
2012	2	Apr.	D	4	4	14	E	24	Q	4	D
2013	3	May.	E	5	5	15	F	25	R	5	E
2014	4	Jun.	F	6	6	16	G	26	S	6	F
2015	5	Jul.	G	7	7	17	H	27	T	7	G
2016	6	Aug.	H	8	8	18	J	28	U	8	H
2017	7	Sep.	I	9	9	19	K	29	V	9	I
2018	8	Oct.	J	10	A	20	L	30	W	10	J
2019	9	Nov.	K					31	X	11	K
2020	0	Dec.	L								

① 注 ① CO-PLANARITY IS WITHIN 0.08 mm.

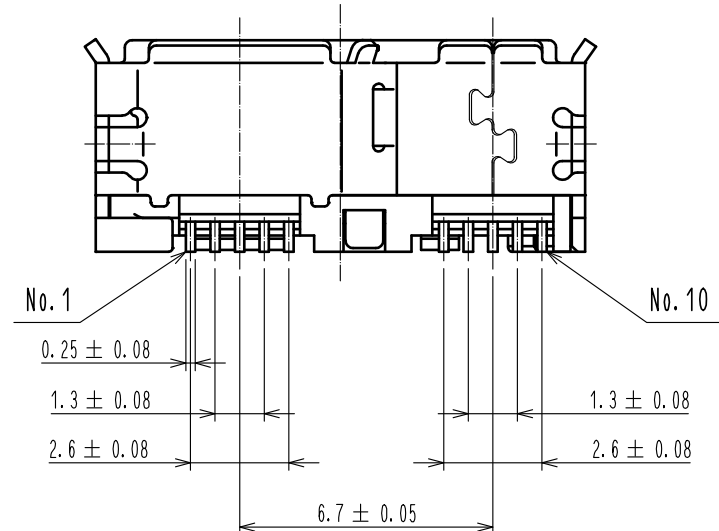
② THE PLATING SPECIFICATION
 CONTACT AREA : PALLADIUM NICKEL PLATING 0.75 μm MIN. + GOLD PLATING 0.05 μm MIN.
 MOUNTING AREA : GOLD PLATING 0.05 μm MIN.
 UNDERPLATING : NICKEL PLATING 2 μm MIN.

③ 3000 PCS PER REEL.

4 . CONNECTOR OPENING CONFIGURATION SATISFIES USB3.0 SPECIFICATIONS.

5 . SCRATCH MARK COULD BE MADE ON THE SURFACE OF REF NO. 3 DURING ASSEMBLY PROCESS, WHICH DOES NOT AFFECT THE PERFORMANCE. LEVEL OF PLATING BRIGHTNESS COULD VARY, WHICH DOSE NOT AFFECT THE PERFORMANCE.

⑥ INDICATE THE LOT NO. WITH 4 DIGITS AT THE SPECIFIED POSITION.



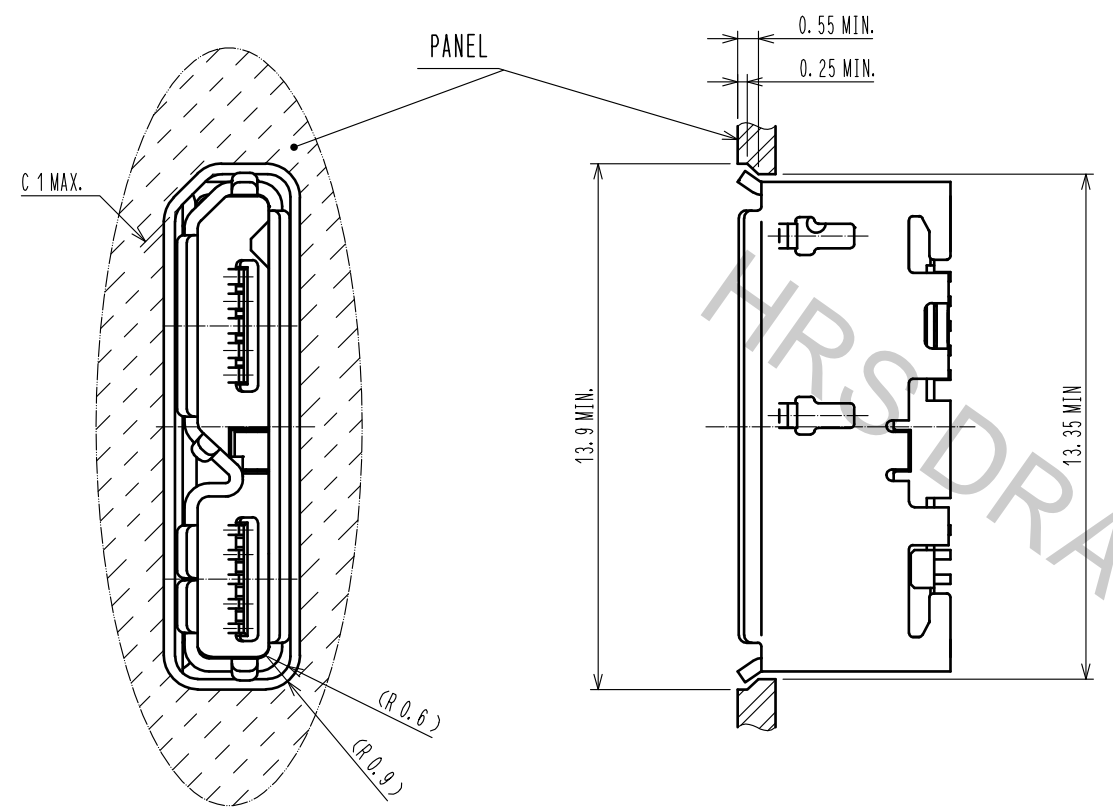
2	COPPER ALLOY	②	5	PE	
1	LCP	UL94V-0, BLACK	4	PS	
			3	STAINLESS STEEL	TIN PLATING 1 μm min. LUBRICANT
NO.	MATERIAL	FINISH . REMARKS	NO.	MATERIAL	FINISH . REMARKS
UNITS mm	①	SCALE 5 : 1	COUNT 2	DESIGNED P. EKSOURIYA	CHECKED NM. NISHIMATSU
				DESCRIPTION OF REVISIONS DIS-E-00000413	DATE 16.01.08
APPROVED : NM. NISHIMATSU 15.10.27		DRAWING NO. EDC-127028-30-00			
CHECKED : KN. ICHIKAWA 15.10.27		PART NO. ZX360D-B-10P(30)			
DESIGNED : TS. ITO 15.10.27		CODE NO. CL242-0500-1-30			
DRAWN : AK. AKIYAMA 15.10.27					

Aug.1.2016 Copyright 2016 HIROSE ELECTRIC CO., LTD. All Rights Reserved.

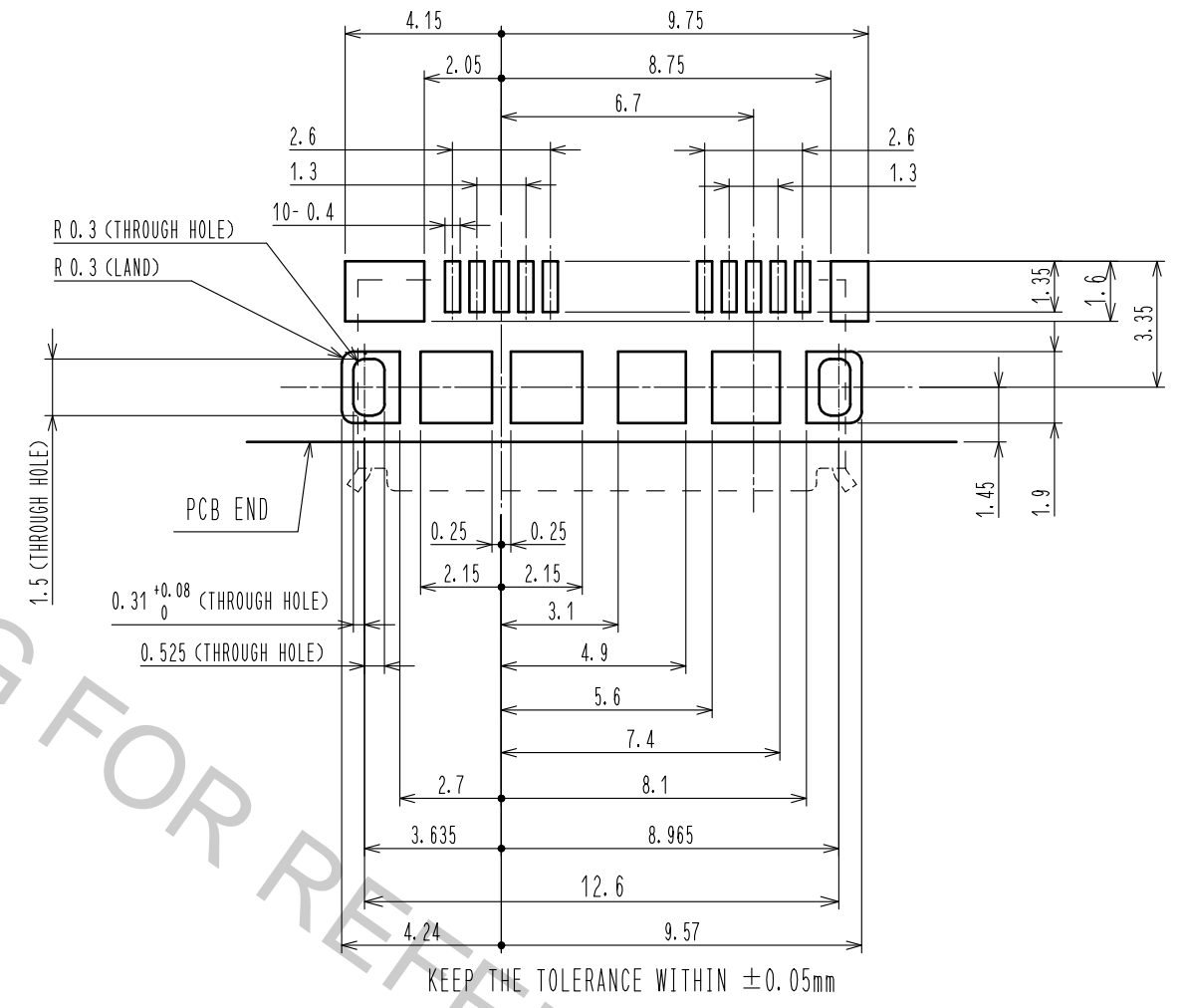
1 2 3 4 5 6 7 8

A B C D E F

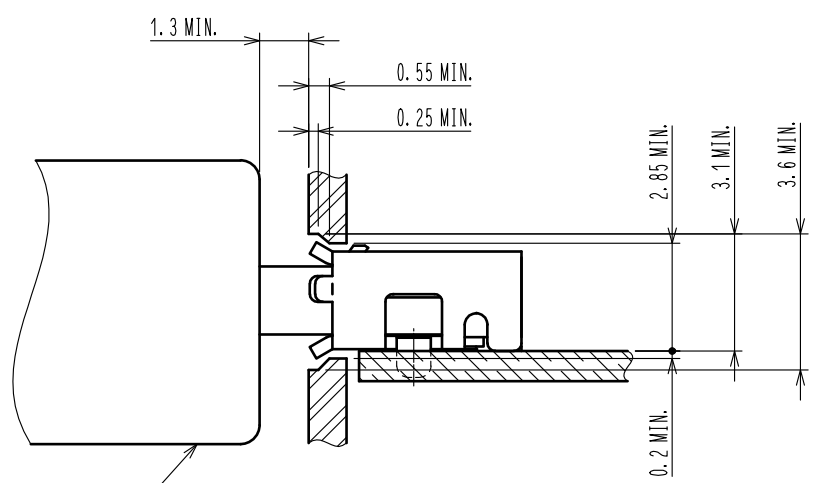
RECOMMENDED PANEL CUTOUT



PCB LAYOUT FOR REFERENCE.



MATED WITH CORRESPONDING PLUG



MicroUSB (TYPE B)
(HIROSE'S MICRO USB 'ZX SERIES')

HRS	DRAWING NO.	EDC-127028-30-00	2/2
	PART NO.	ZX360D-B-10P(30)	
	CODE NO.	CL242-0500-1-30	