

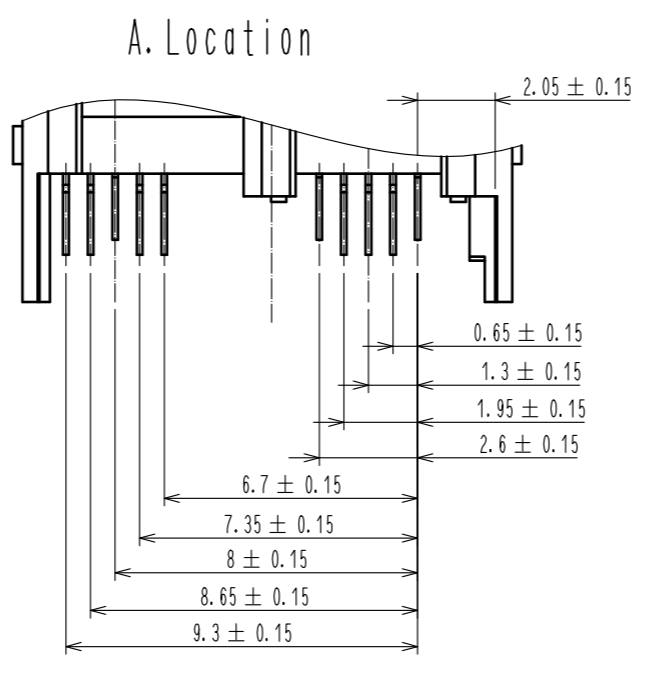
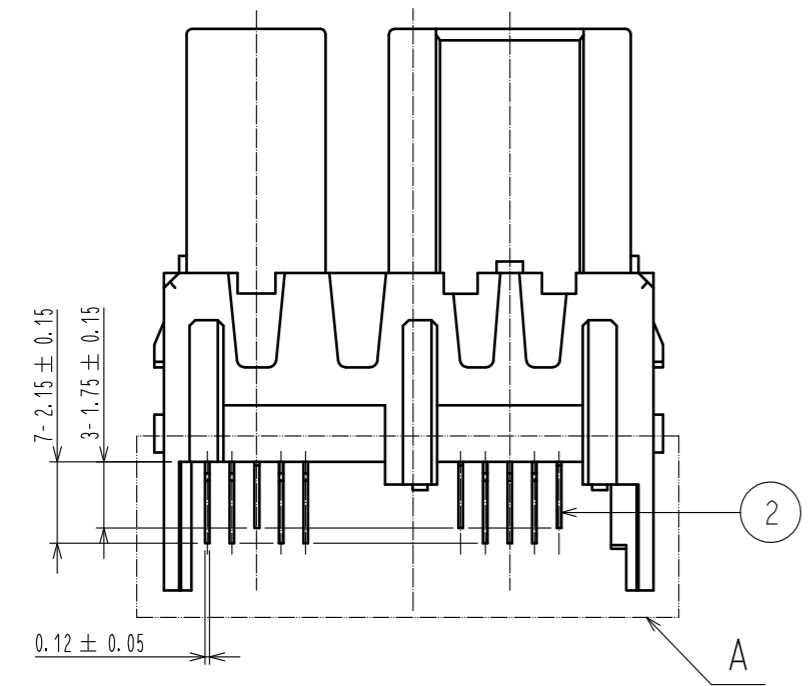
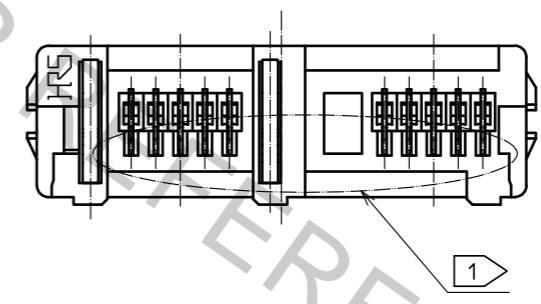
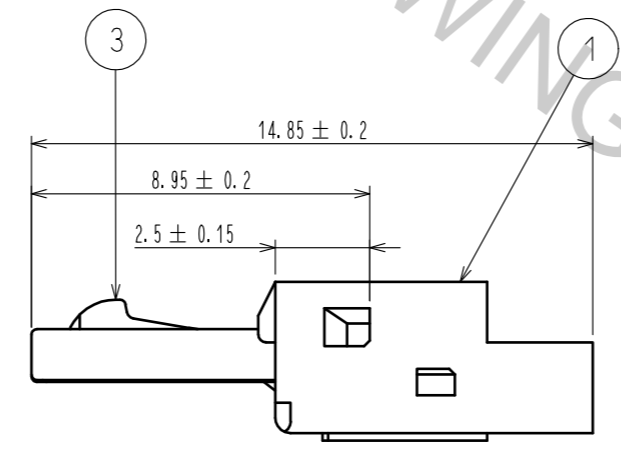
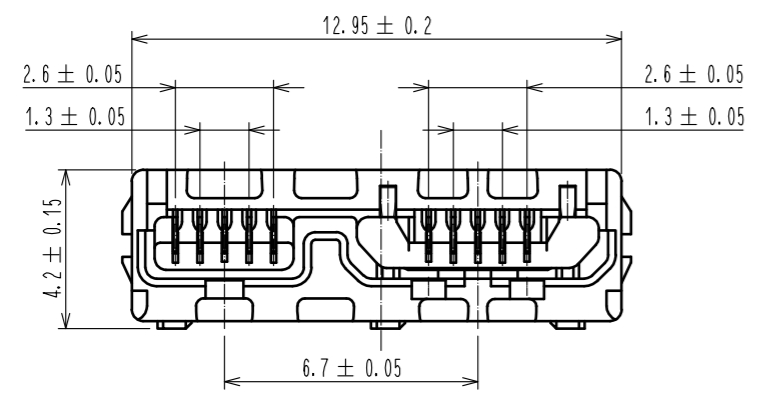
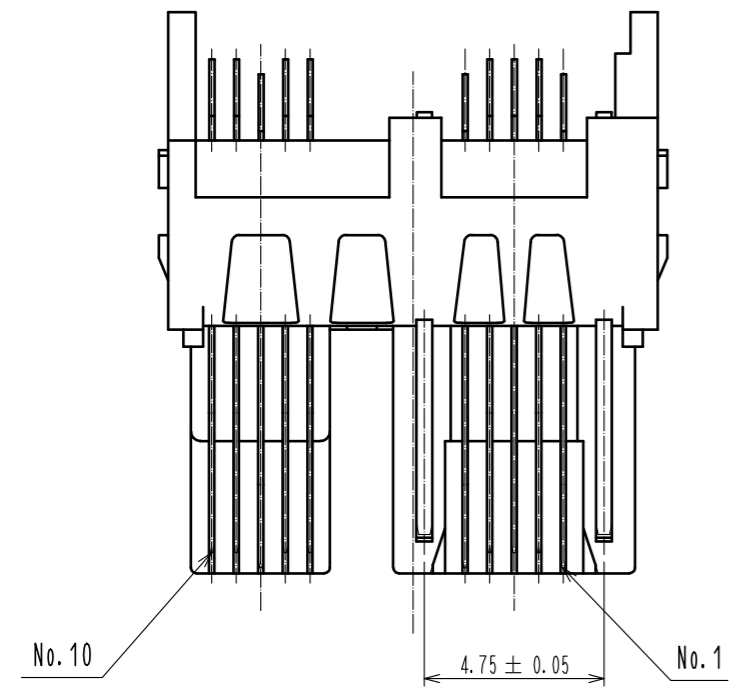
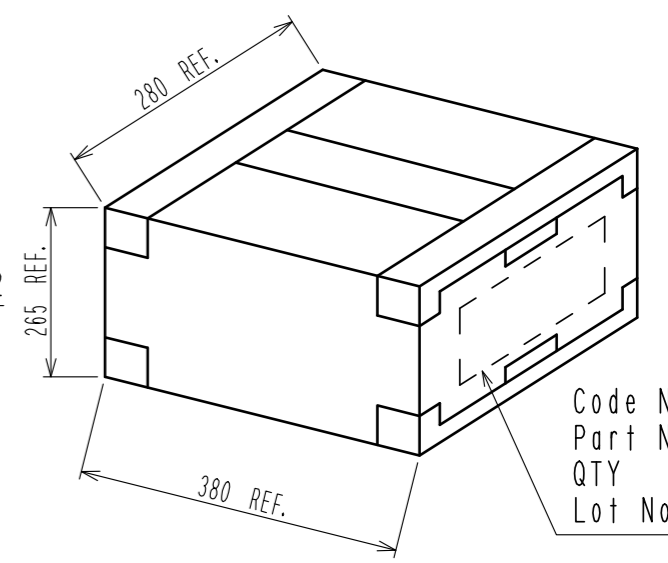
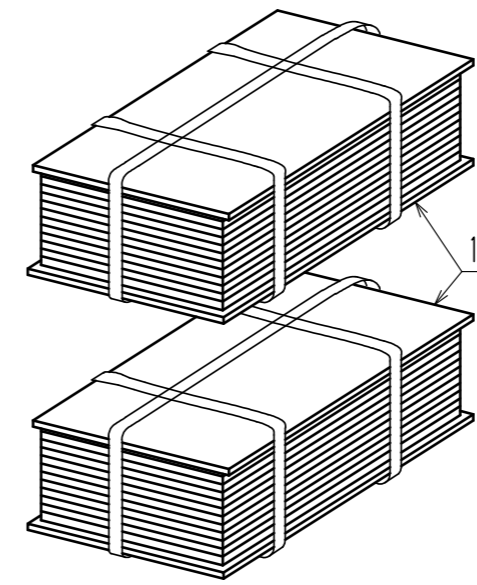
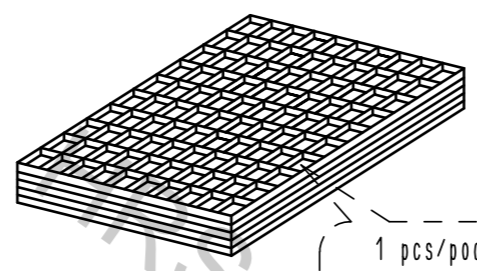
Aug.1.2016 Copyright 2016 HIROSE ELECTRIC CO., LTD. All Rights Reserved.

Fig-1 PACKING SPECIFICATION -IN THE CASE OF 2000 pcs-(FREE)

2. BIND THE TRAYS WITH CONNECTOR UNITS AS SHOWN BELOW.

3. SET THE TRAYS INSIDE THE CARDBOARD BOX.

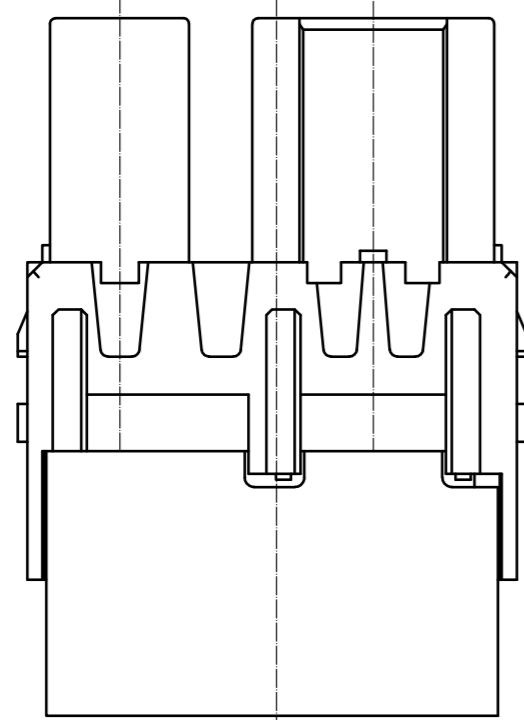
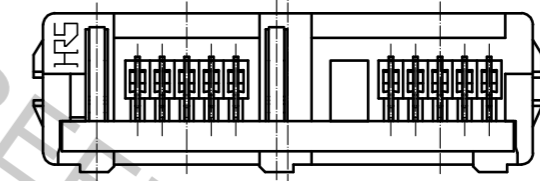
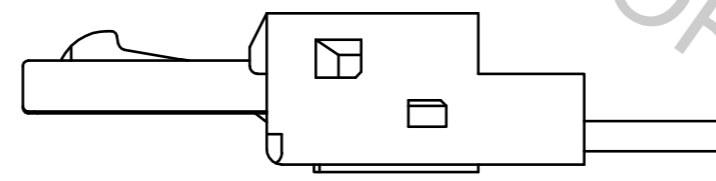
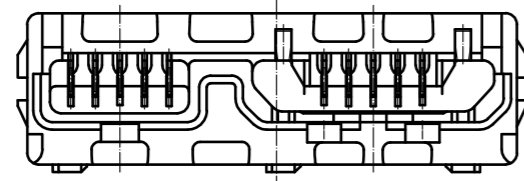
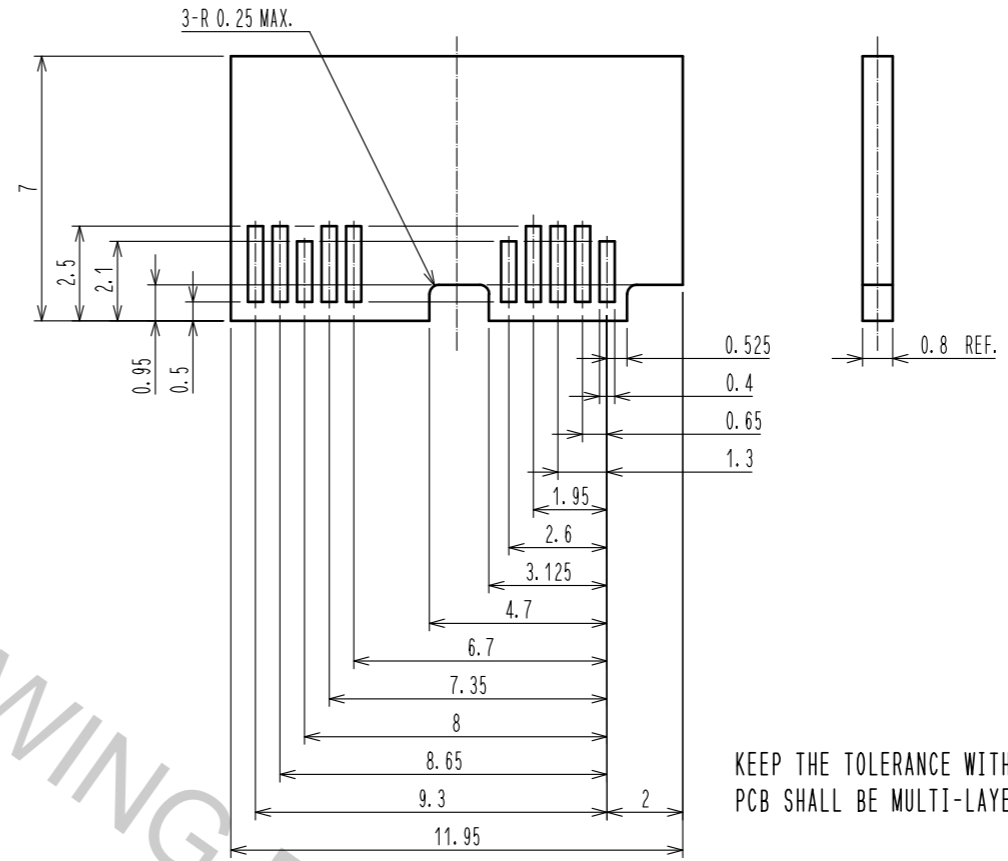
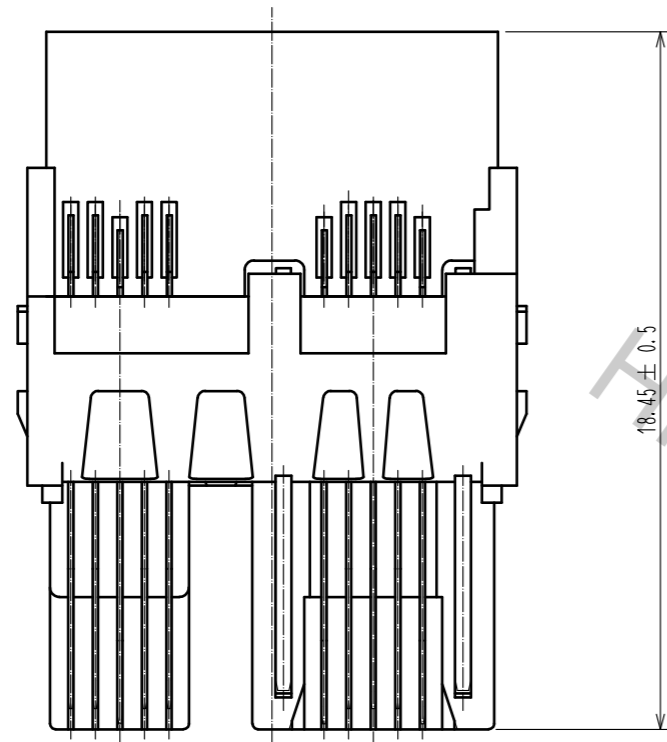
1. PLACE THE CONNECTOR UNIT INTO THE TRAY.
(100 pcs per tray)



2	COPPER ALLOY	CONTACT AREA:GOLD PLATING 0.75μm min MOUNTING AREA:TIN PLATING 1μm min UNDER PLATING:NICKEL PLATING 2μm min	3	STAINLESS STEEL	
1	LCP	UL94V-0 , BLACK			
NO.	MATERIAL	FINISH . REMARKS	NO.	MATERIAL	FINISH . REMARKS
UNITS		SCALE	COUNT	DESCRIPTION OF REVISIONS	
mm		5 : 1		DESIGNED	CHECKED
HRS HIROSE ELECTRIC CO., LTD.		APPROVED : NM. NISHIMATSU 15.10.27	DRAWING NO. EDC-127029-30-00		
		CHECKED : KN. ICHIKAWA 15.10.27	PART NO. ZX360-B-10S-UNIT(30)		
		DESIGNED : TS. ITO 15.10.27	CODE NO. CL242-0501-4-30		
		DRAWN : AK. AKIYAMA 15.10.27	1/3		

Fig-2. CONNECTOR MOUNTED ON PCB

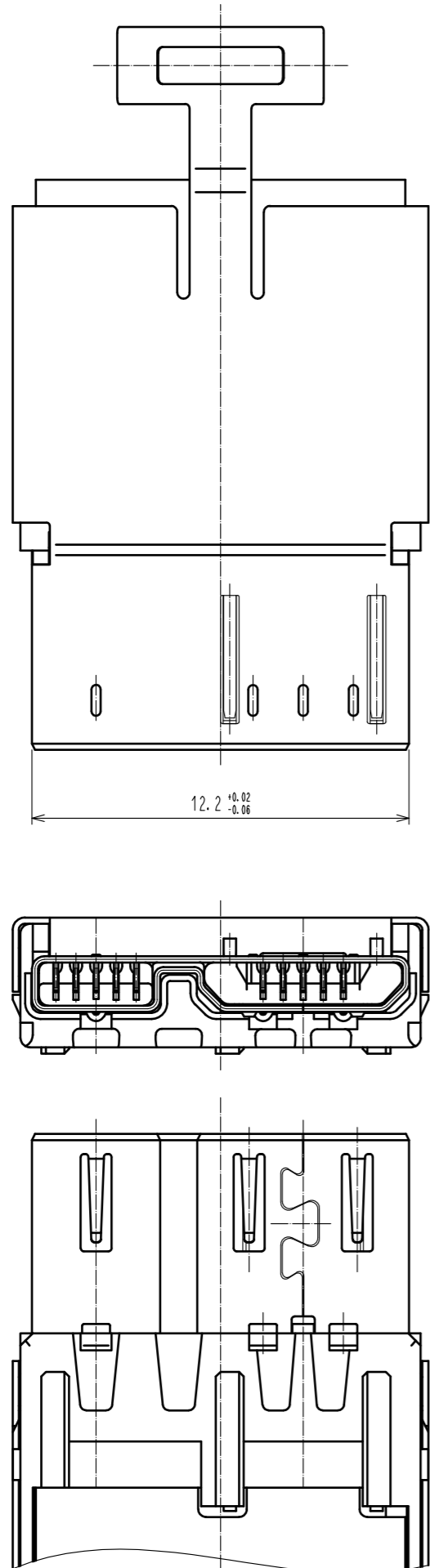
PCB LAYOUT FOR REFERENCE



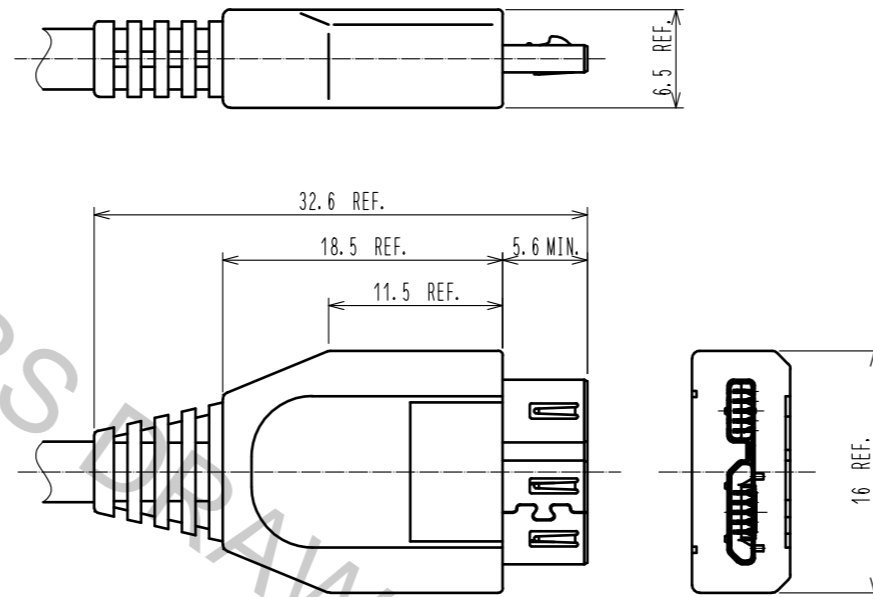
HRS	DRAWING NO.	EDC-127029-30-00		2/3
	PART NO.	ZX360-B-10S-UNIT(30)		
	CODE NO.	CL242-0501-4-30		

Aug.1.2016 Copyright 2016 HIROSE ELECTRIC CO., LTD. All Rights Reserved.

Fig-3 SHIELDING-PLATE ASSEMBLY



OVER-MOLDING (REFERENCE) (FREE)



ZX360-B-SLDA(SOLD SEPARATELY)

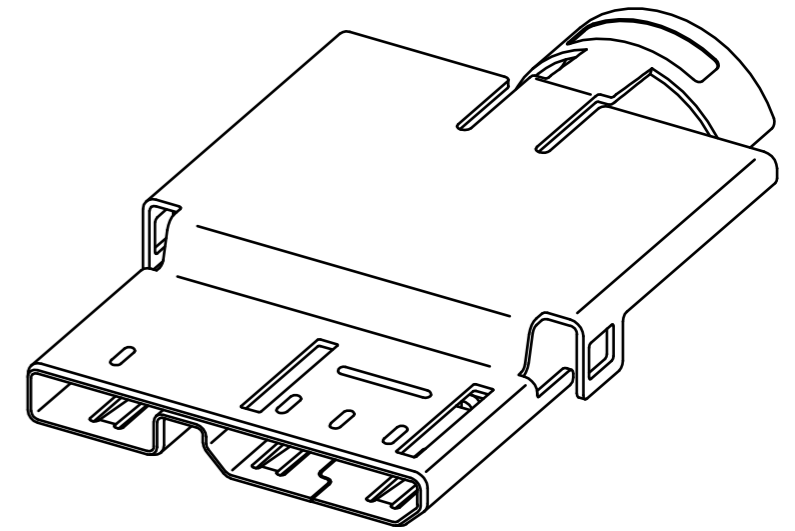
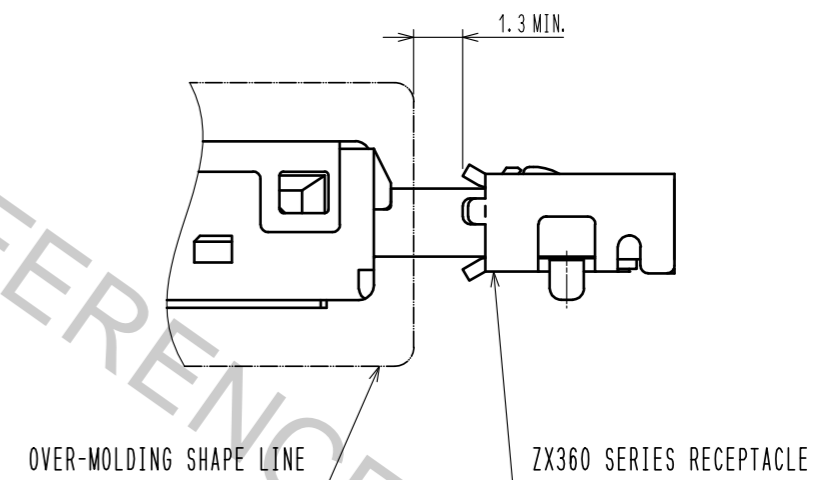
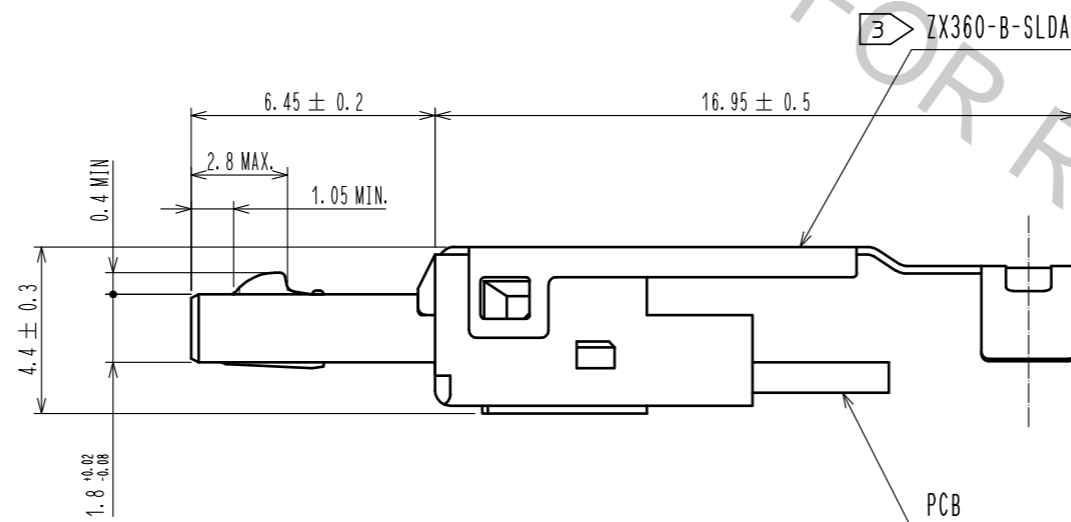


Fig-4 MATED WITH CORRESPONDING PLUG



HRS	DRAWING NO.	EDC-127029-30-00
	PART NO.	ZX360-B-10S-UNIT(30)
	CODE NO.	CL242-0501-4-30
		3/3

Aug.1.2016 Copyright 2016 HIROSE ELECTRIC CO., LTD. All Rights Reserved.