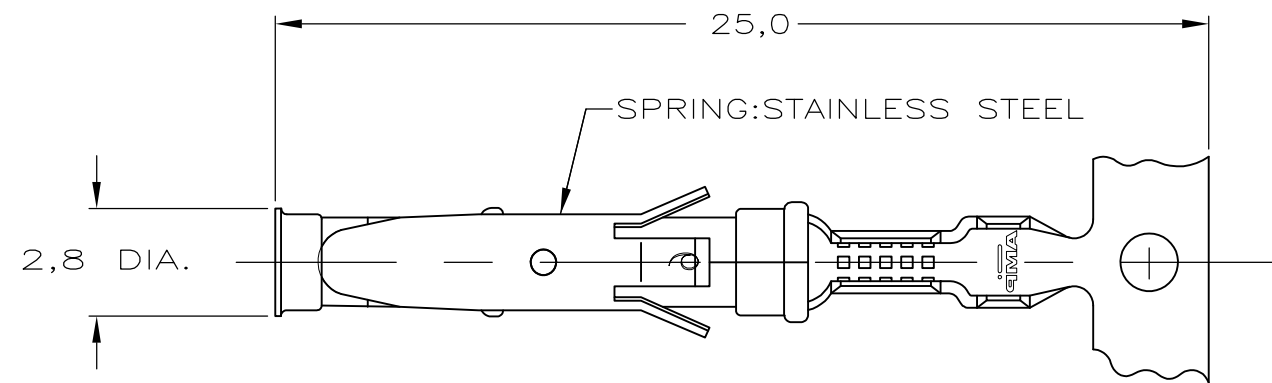
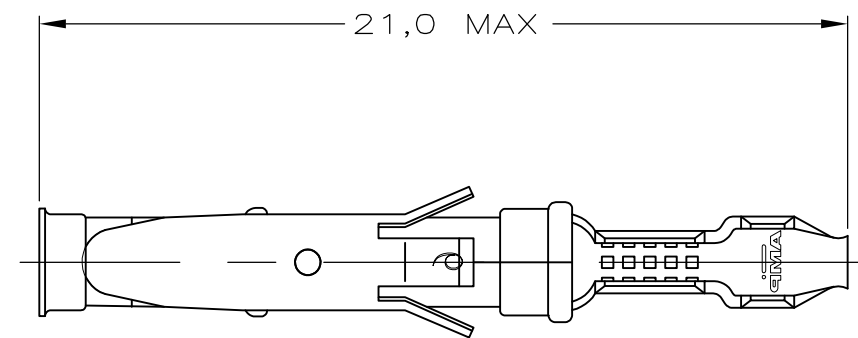


THIS DRAWING IS UNPUBLISHED. RELEASED FOR PUBLICATION  
 © COPYRIGHT - By - ALL RIGHTS RESERVED.

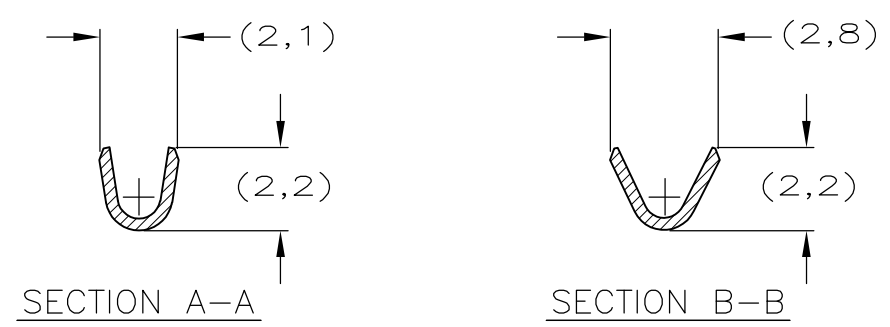
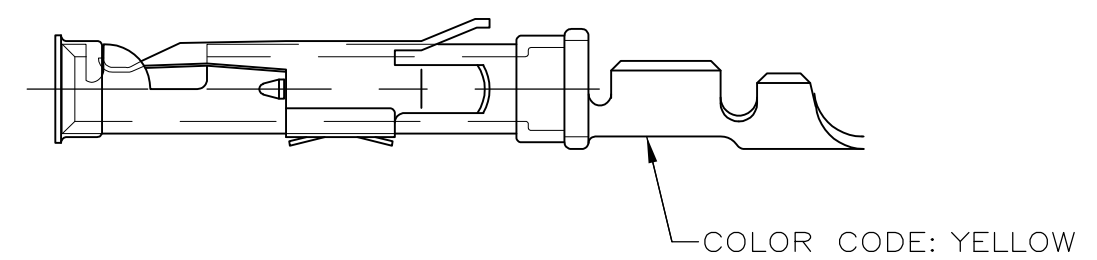
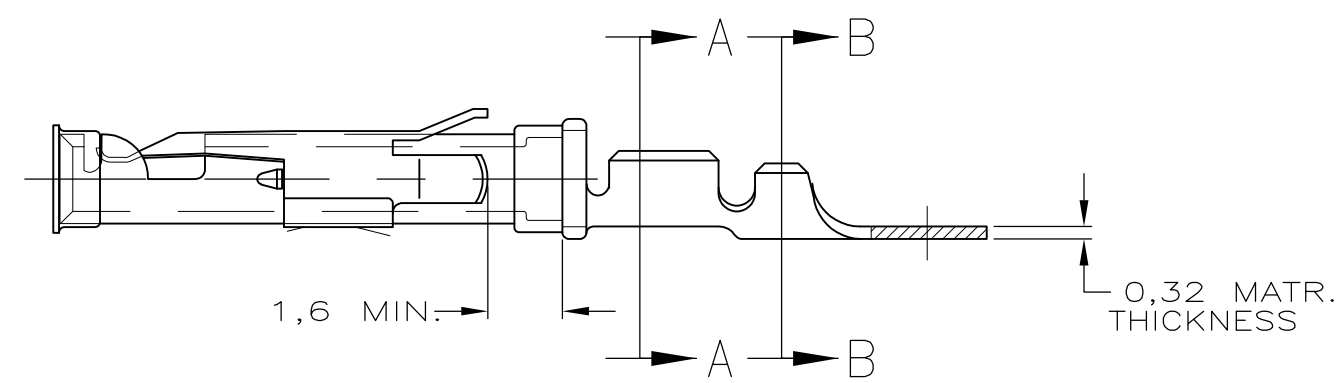
LOC	DIST	P	LTR	DESCRIPTION	DATE	DWN	APVD
-	-		AD3	ADDITION OF NOTE 7, TEXT "MAX" TO DIM 21.0 IN ZONE D2 AND TEXT "REF" DIM 2.1, 2.2, 2.8, & 2.2 IN ZONE B4 & B3.	21JULY2015	TJ	PS



STRIP

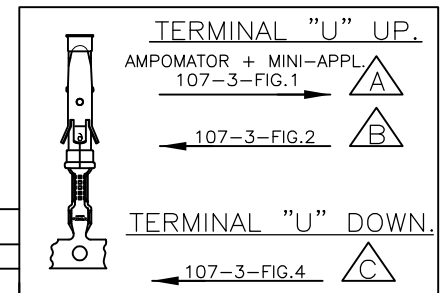


LOOSE-PIECE



WIRE RANGE : 0,2-0,50 mm<sup>2</sup> (24-20 AWG)  
 INSUL. RANGE : 1,1 -1,8 mm (.080-.100)

PART NUMBER	DIRECTION OF REEL	LOOSE-PIECE	MATERIAL	PLATING
1-163087-5	A	61-163088-4	BRASS	SILVER
1-163087-4	A	61-163088-4	BRASS	EL.TIN
1-163087-3	A	61-163088-3	BRASS	BR.TIN/LEAD
5-163087-3	C		BRASS	ECON.GOLD
5-163087-2	C		BRASS	SEL.GOLD
5-163087-1	C		BRASS	EL.TIN
1-163087-2	B	61-163088-1	BRASS	GOLD
1-163087-1	A		BRASS	ECON.GOLD
1-163087-0	B	1-163088-0	BRASS	ECON.GOLD
163087-9	A		BRASS	EL.TIN
163087-8	A		BRASS	SEL.GOLD
163087-2	B	163088-1	BRASS	SEL.GOLD
163087-1	B	163088-1	BRASS	EL.TIN



- NOTES :
- 1 UL RECOGNIZED UNDER E28476 VOL VI SEC I
  - 2 FOR CRIMP DETAILS SEE SPEC. 114-19000
  - 3 MEETS PRODUCT SPECIFICATION 108-10042
  - 4 SPECIAL REEL WITH 200PCS FOR REEL-FED HAND-TOOL
  - 5 OBSOLETE PARTS: OBSOLETE CIS STREAMLINING PER D.RENAUD/D.SINISI
  - 6 OBSOLETE
  - 7 OMISSION OF 6 CONTACTS MAX PER REEL OF 5000PCS
  - 31 LUBRICATED

NOTES	MATERIAL	THICKNESS	AREA
20	TIN	2,0 μm	ALL OVER
21	NICKEL GOLD TIN	0,8 μm	ALL OVER CONTACT AREA BARREL
22	NICKEL GOLD GOLD	0,8 μm	ALL OVER CONTACT AREA ALL OVER
23	NICKEL GOLD GOLD	1,2 μm	ALL OVER CONTACT AREA ALL OVER
27	NICKEL SILVER TIN	2,5 μm	ALL OVER CONTACT AREA BARREL
28	SILVER NICKEL	1,5-2,5 μm	ALL OVER
29	SILVER	0,76 μm	ALL OVER
30	NICKEL BR TIN	1,27 μm	ALL OVER

THIS DRAWING IS A CONTROLLED DOCUMENT.

DIMENSIONS:	TOLERANCES UNLESS OTHERWISE SPECIFIED:
mm	0 PLC ± -
	1 PLC ± -
	2 PLC ± -
	3 PLC ± -
	4 PLC ± -
	ANGLES ± -
MATERIAL	FINISH
REFER TABLE	REFER TABLE

DWN	21JULY2015
M THAJUDEEN	
CHK	21JULY2015
GANI NIMBENNA	
APVD	21JULY2015
PRASHANTH S	
PRODUCT SPEC	
108-10042	
APPLICATION SPEC	
114-19000	
WEIGHT	-
CUSTOMER DRAWING	

**STE** TE Connectivity

TYPE III+, SIZE 16, SOCKET ASS'Y,  
24-20 AWG, 1.1-1.8mm DIA INSULATION

SIZE	CAGE CODE	DRAWING NO	RESTRICTED TO
A3	00779	C-163087	-

SCALE - SHEET 1 OF 1 REV AD3