

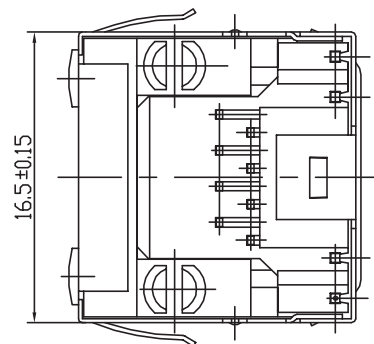
1

2

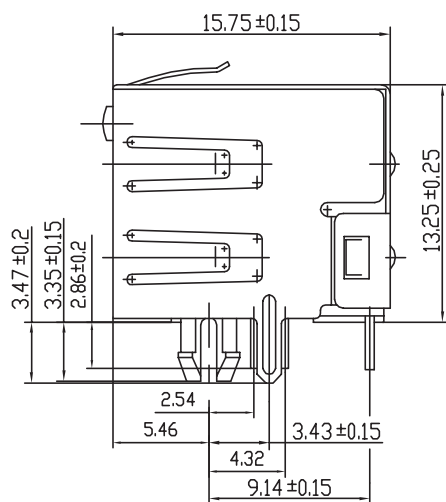
3

4

5



16.5±0.15



15.75±0.15

13.25±0.25

3.47±0.2

3.35±0.15

2.86±0.2

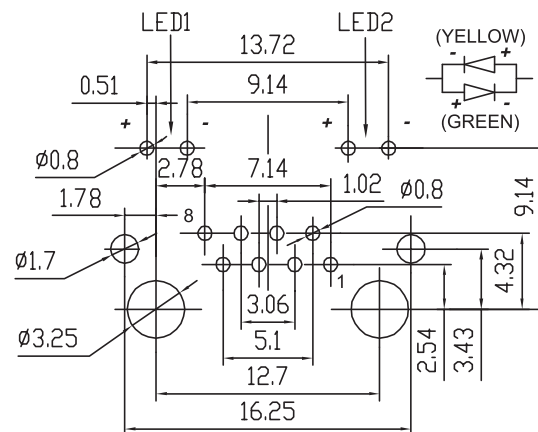
2.54

5.46

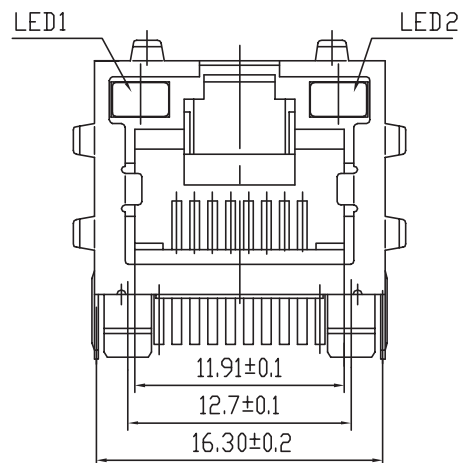
4.32

3.43±0.15

9.14±0.15



PCB LAYOUT - COMPONENT VIEW



LED1

LED2

11.91±0.1

12.7±0.1

16.30±0.2

TECHNICAL CHARACTERISTICS

MATERIAL
 INSULATOR MATERIAL: PBT
 FLAMMABILITY RATING: UL94-V0
 COLOR: BLACK
 CONTACT MATERIAL: COPPER ALLOY
 CONTACT TYPE: STAMPED
 CONTACT PLATING: SELECTIVE GOLD
 SHIELDING: BRONZE NI PLATED
 QUALITY CLASS: 500 MATING CYCLES

LED COLOR
 LED 1: BIPOLAR GREEN/YELLOW
 LED 2: BIPOLAR GREEN/YELLOW

ENVIRONMENTAL
 OPERATING TEMPERATURE: -40°C UP TO 85 °C
 COMPLIANCE: LEAD FREE AND ROHS



ELECTRICAL
 CURRENT RATING: 1.5 A
 WORKING VOLTAGE: 120 VAC
 INSULATION RESISTANCE: >500 MΩ
 DIELECTRIC WITHSTANDING VOLTAGE: 1 000 VAC/MIN
 CONTACT RESISTANCE: 20 mΩ MAX

STANDARD
 CERTIFIED: E324776

SOLDERING
 JEDEC LEAD FREE WAVE SOLDERING PROCESS

PACKAGING
 TRAY

RoHS Compliant

G	23-JUL-14	GENERAL UPDATE	AS	PROJECTION: 	GENERAL TOLERANCE .X = +/- 0.2 .XX = +/- 0.15	 WÜRTH ELEKTRONIK	DESCRIPTION: HORIZONTAL SHIELDED WITH BIPOLAR LED AND EMI PANEL FINGER 8P8C MODULAR JACK TAB UP	SIZE A4
F	03-JAN-14	UL & TEMP UPDATE	QL					
E	20-AUG-13	DIM UPDATE	QL					
D	27-FEB-09	LED COLORS	JP					
C	06-MAY-08	LED SYMBOL	CH	APPROVAL: RJ	UNIT: MM	WERI PART NO: 615 008 141 321		
B	22-APR-08	LED COLORS	CH		SCALE:			
A	01-APR-08	PDF	CH		SHEET: 1/1			
REV	DATE	FILE	BY		DRAW:			