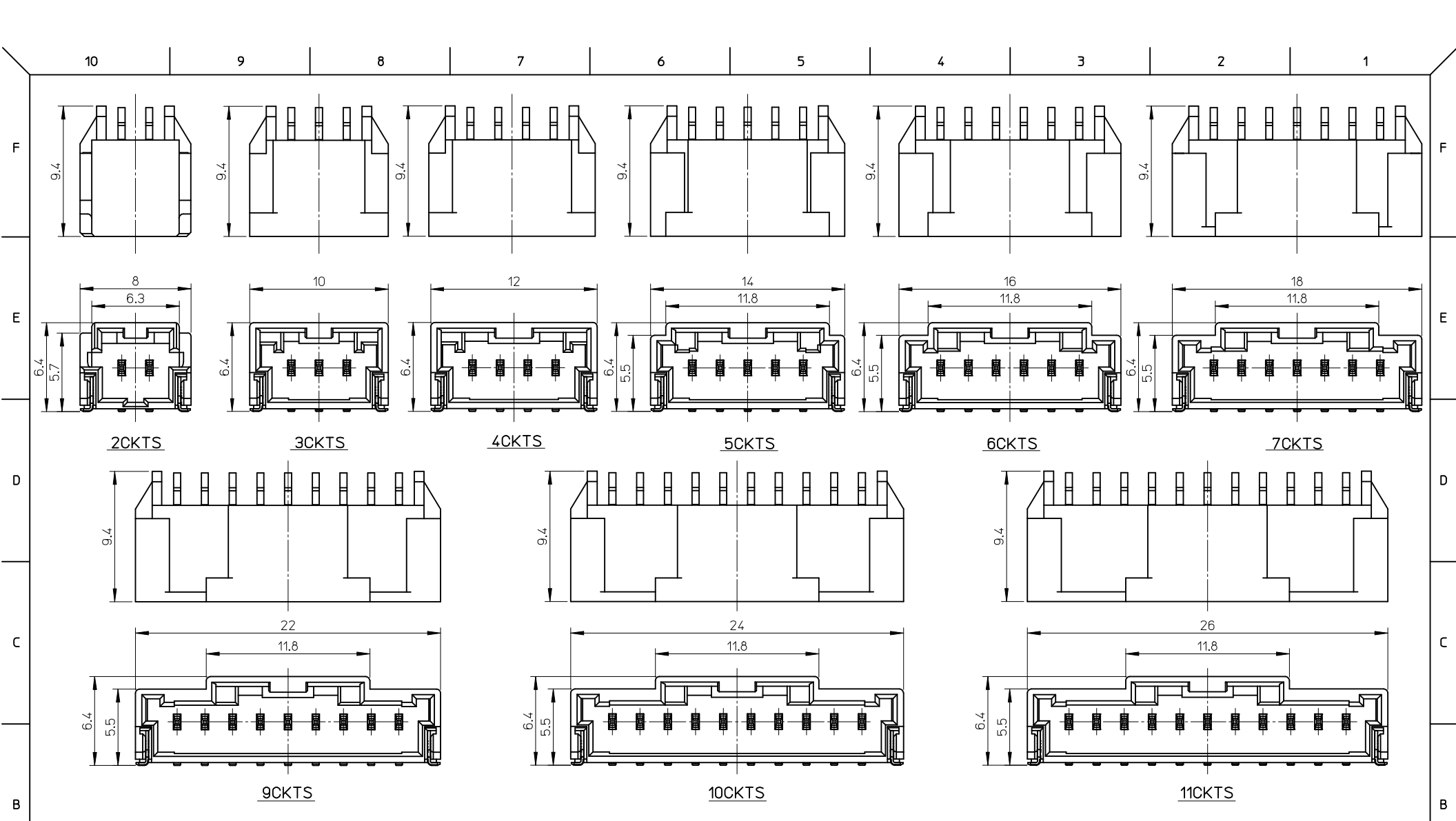


注記 NOTES

- 材質  
ハウジング: 耐熱性ナイロン UL94V-0  
ピン: 銅合金、ニッケル下地、錫メッキ、金メッキ  
フィッティングネール: 銅合金、ニッケル下地、錫メッキ  
MATERIAL  
HOUSING: POLYAMIDE UL94V-0  
PIN: COPPER ALLOY, GOLD OR TIN OVER NICKEL PLATE.  
FITTING NAIL: COPPER ALLOY, TIN OVER NICKEL PLATE.
- 色: ナチュラル、黒、赤、青  
COLOR: NATURAL, BLACK, RED, BLUE
- 嵌合相手  
ハウジング: 502351-\*\*0\*  
錫メッキ端子: 50212-8\*00, 50372-8\*00, 560085-0101  
金メッキ端子: 56161-8\*81  
MATES WITH  
HOUSING: 502351-\*\*0\*  
SN PLATING TERMINAL: 50212-8\*00, 50372-8\*00, 560085-0101  
AU PLATING TERMINAL: 56161-8\*81
- エンボス梱包品の詳細はSD-502352-002参照  
DETAILED TAPING PACKAGE, SEE SD-502352-002.
- ELV及びRoHS適合  
ELV AND RoHS COMPLIANT
- 半田付け面のコプラナリティ: 0.1mm MAX.  
CO-PLANARITY OF SOLDERING TAILS TO BE 0.1mm MAX.

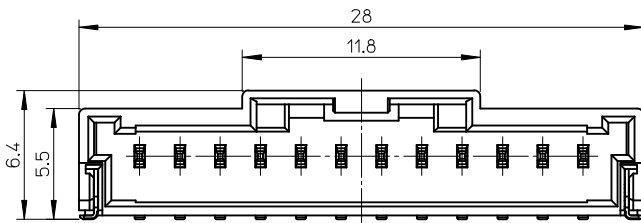
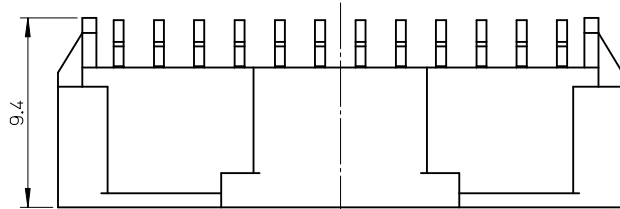
- 一般公差  
GENERAL TOLERANCES  
10 UNDER: 0.2  
10 OVER 30 UNDER: 0.25  
30 OVER: 0.3  
ANGULAR: ±3°

REVISED EC NO: JTR2016-0015 DR: WNKAGAI02 2016/03/04 CHKD: HKOMATSU 2016/03/04 APPR: MAYAMOTO 2016/03/08	QUALITY SYMBOLS △E=0 △F=0 △G=0	GENERAL TOLERANCES (UNLESS SPECIFIED)		DIMENSION STYLE MM ONLY		SCALE 5:1	DESIGN UNITS METRIC	THIRD ANGLE PROJECTION		
		mm	INCH	DRAWN BY SHSHIBATA	DATE 2007/12/18	TITLE 2.0MM PITCH W/B CONN. WAFER ASSY R/A SMT				
		4 PLACES ± --- ± ---	3 PLACES ± --- ± ---	CHECKED BY HKOMATSU	DATE 2007/12/18	DOCUMENT NO. SD-502352-001				
		2 PLACES ± --- ± ---	1 PLACE ± --- ± ---	APPROVED BY AKANESHIGE	DATE 2007/12/18					
0 PLACE ± --- ± ---	ANGULAR ± - °		DRAFT WHERE APPLICABLE MUST REMAIN WITHIN DIMENSIONS		SEE CHART		THIS DRAWING CONTAINS INFORMATION THAT IS PROPRIETARY TO MOLEX INCORPORATED AND SHOULD NOT BE USED WITHOUT WRITTEN PERMISSION			

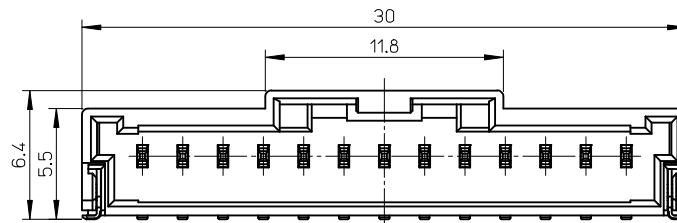
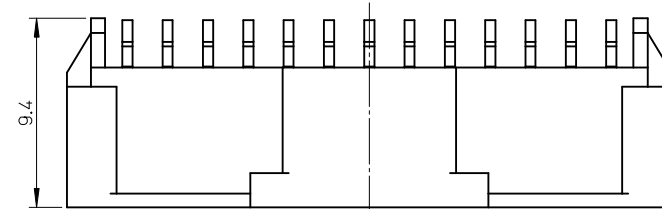


<b>REVISED</b> EC NO: JTR2016-0015 DRWN:KNAGA I02 2016/03/01 CHKD:HKOMATSU 2016/03/04 APPR:MATAMAMOTO 2016/03/08	<b>QUALITY SYMBOLS</b> $\nabla = 0$ $\nabla = 0$ $\nabla = 0$	<b>GENERAL TOLERANCES (UNLESS SPECIFIED)</b>		<b>DIMENSION STYLE</b> <b>MM ONLY</b>	<b>SCALE</b> <b>4:1</b>	<b>DESIGN UNITS</b> <b>METRIC</b>	<b>THIRD ANGLE PROJECTION</b>																												
		<table border="1"> <thead> <tr> <th></th> <th>mm</th> <th>INCH</th> </tr> </thead> <tbody> <tr> <td>4 PLACES</td> <td>± 0.10</td> <td>± 0.004</td> </tr> <tr> <td>3 PLACES</td> <td>± 0.15</td> <td>± 0.006</td> </tr> <tr> <td>2 PLACES</td> <td>± 0.20</td> <td>± 0.008</td> </tr> <tr> <td>1 PLACE</td> <td>± 0.30</td> <td>± 0.012</td> </tr> <tr> <td>0 PLACE</td> <td>± 0.40</td> <td>± 0.016</td> </tr> </tbody> </table>		mm	INCH	4 PLACES	± 0.10	± 0.004	3 PLACES	± 0.15	± 0.006	2 PLACES	± 0.20	± 0.008	1 PLACE	± 0.30	± 0.012	0 PLACE	± 0.40	± 0.016	<table border="1"> <thead> <tr> <th>DRAWN BY</th> <th>DATE</th> <th>TITLE</th> </tr> </thead> <tbody> <tr> <td>SHSHIBATA</td> <td>2007/12/18</td> <td rowspan="4"> <b>2.0MM PITCH W/B CONN.            WAFER ASSY            R/A SMT</b>   <b>molex</b> </td> </tr> <tr> <td>CHECKED BY</td> <td>DATE</td> </tr> <tr> <td>APPROVED BY</td> <td>DATE</td> </tr> <tr> <td>AKANESHIGE</td> <td>2007/12/18</td> </tr> </tbody> </table>	DRAWN BY	DATE	TITLE	SHSHIBATA	2007/12/18	<b>2.0MM PITCH W/B CONN.            WAFER ASSY            R/A SMT</b>  <b>molex</b>	CHECKED BY	DATE	APPROVED BY	DATE	AKANESHIGE	2007/12/18	<b>DOCUMENT NO.</b> <b>SD-502352-001</b>	<b>SHEET NO.</b> <b>2 OF 4</b>
			mm	INCH																															
		4 PLACES	± 0.10	± 0.004																															
3 PLACES	± 0.15	± 0.006																																	
2 PLACES	± 0.20	± 0.008																																	
1 PLACE	± 0.30	± 0.012																																	
0 PLACE	± 0.40	± 0.016																																	
DRAWN BY	DATE	TITLE																																	
SHSHIBATA	2007/12/18	<b>2.0MM PITCH W/B CONN.            WAFER ASSY            R/A SMT</b>  <b>molex</b>																																	
CHECKED BY	DATE																																		
APPROVED BY	DATE																																		
AKANESHIGE	2007/12/18																																		
<b>DRAFT WHERE APPLICABLE MUST REMAIN WITHIN DIMENSIONS</b>	<b>ANGULAR ± °</b>	<b>SEE CHART</b>		<b>THIS DRAWING CONTAINS INFORMATION THAT IS PROPRIETARY TO MOLEX INCORPORATED AND SHOULD NOT BE USED WITHOUT WRITTEN PERMISSION</b>																															
<b>REV</b>	<b>DESCRIPTION</b>	<b>SIZE</b> <b>A3</b>																																	

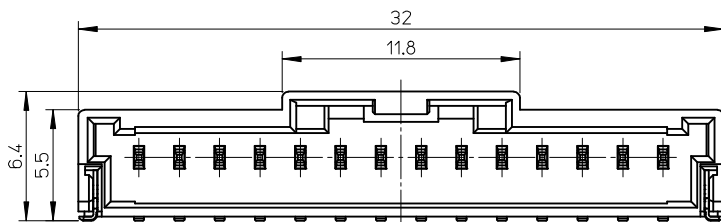
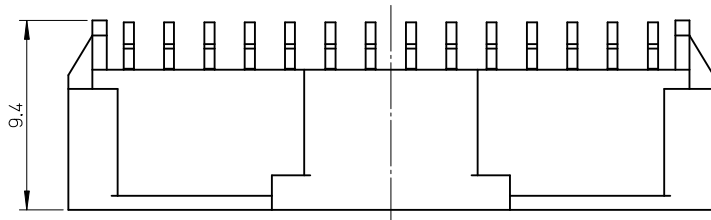
10 9 8 7 6 5 4 3 2 1



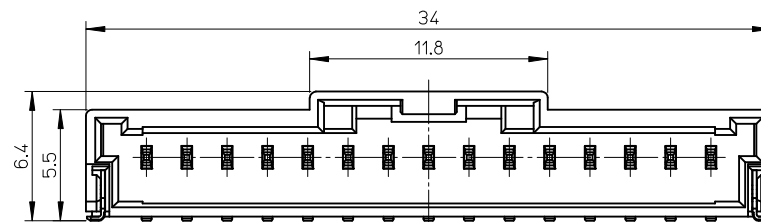
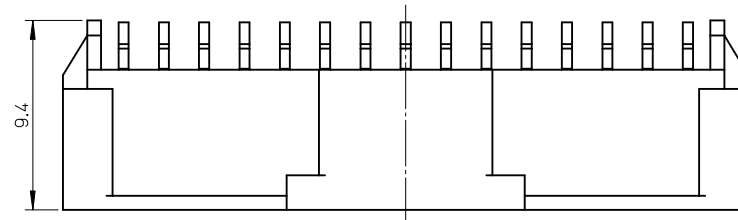
12CKTS



13CKTS



14CKTS



15CKTS

<b>REVISED</b> EC NO: JTR2016-0015 DRW:KNAGA I02 2016/03/01 CHKD:HKOMATSU 2016/03/04 APPR:MIYAMOTO 2016/03/08	QUALITY SYMBOLS F <sub>A</sub> = 0 F <sub>B</sub> = 0 F <sub>C</sub> = 0	GENERAL TOLERANCES (UNLESS SPECIFIED) mm INCH 4 PLACES ± --- ± --- 3 PLACES ± --- ± --- 2 PLACES ± --- ± --- 1 PLACE ± --- ± --- 0 PLACE ± ± ANGULAR ± - °	DIMENSION STYLE MM ONLY	SCALE 4:1	DESIGN UNITS METRIC	THIRD ANGLE PROJECTION	
	DRAWN BY SHSHIBATA	DATE 2007/12/18	TITLE 2.0MM PITCH W/B CONN. WAFER ASSY R/A SMT	molex			
	CHECKED BY HKOMATSU	DATE 2007/12/18	APPROVED BY AKANESHIGE				
	MATERIAL NO.	SEE CHART	DOCUMENT NO. SD-502352-001	SHEET NO. 3 OF 4	THIS DRAWING CONTAINS INFORMATION THAT IS PROPRIETARY TO MOLEX INCORPORATED AND SHOULD NOT BE USED WITHOUT WRITTEN PERMISSION		

9 8 7 6 5 4 3 2 1

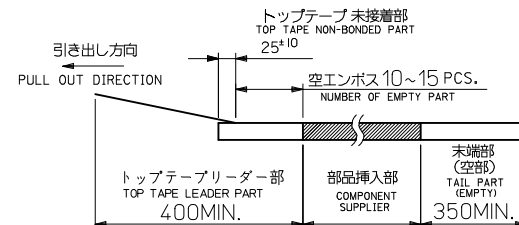
	10	9	8	7	6	5	4	3	2	1				
F	Sn NATURAL	34.0	502352-1500	15	Au NATURAL	34.0	502352-1510	15						
		32.0	502352-1400	14		32.0	502352-1410	14						
		30.0	502352-1300	13		30.0	502352-1310	13						
		28.0	502352-1200	12		28.0	502352-1210	12						
		26.0	502352-1100	11		26.0	502352-1110	11						
		24.0	502352-1000	10		24.0	502352-1010	10						
		22.0	502352-0900	9		22.0	502352-0910	9						
		20.0	502352-0800	8		20.0	502352-0810	8						
		18.0	502352-0700	7		18.0	502352-0710	7						
		16.0	502352-0600	6		16.0	502352-0610	6						
E		14.0	502352-0500	5		14.0	502352-0510	5						
		12.0	502352-0400	4		12.0	502352-0410	4						
		10.0	502352-0300	3		10.0	502352-0310	3						
		8.0	502352-0200	2		8.0	502352-0210	2						
		PLATING COLOR	A	EMBOSSED PACKAGE ORDER NO.		CKTS	PLATING COLOR	A			EMBOSSED PACKAGE ORDER NO.	CKTS		
		CONNECTOR SERIES NO. 502352-**08				CONNECTOR SERIES NO. 502352-**18								

D	Sn BLACK			15	Sn RED			15	Sn BLUE			15						
				14				14				14						
				13				13				13						
				12				12				12						
				11				11				11						
				10				10				10						
				9				9				9						
		20.0	502352-0801	8		20.0	502352-0802	8		20.0	502352-0803	8						
		18.0	502352-0701	7				7				7						
		16.0	502352-0601	6		16.0	502352-0602	6		16.0	502352-0603	6						
C		14.0	502352-0501	5				5										
		12.0	502352-0401	4		12.0	502352-0402	4					12.0	502352-0403	4			
		10.0	502352-0301	3		10.0	502352-0302	3					10.0	502352-0303	3			
		8.0	502352-0201	2		8.0	502352-0202	2					8.0	502352-0203	2			
		PLATING COLOR	A	EMBOSSED PACKAGE ORDER NO.		CKTS	PLATING COLOR	A					EMBOSSED PACKAGE ORDER NO.	CKTS	PLATING COLOR	A	EMBOSSED PACKAGE ORDER NO.	CKTS
		CONNECTOR SERIES NO. 502352-**28				CONNECTOR SERIES NO. 502352-**48							CONNECTOR SERIES NO. 502352-**68					

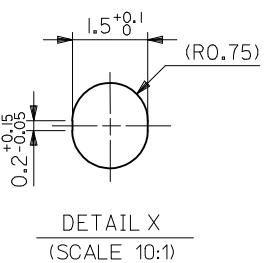
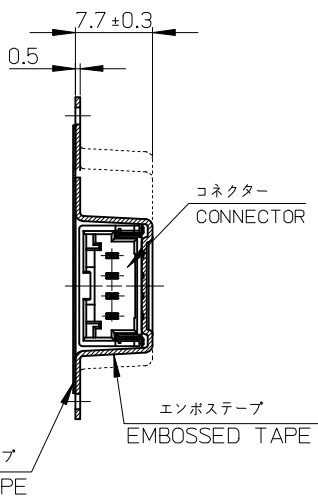
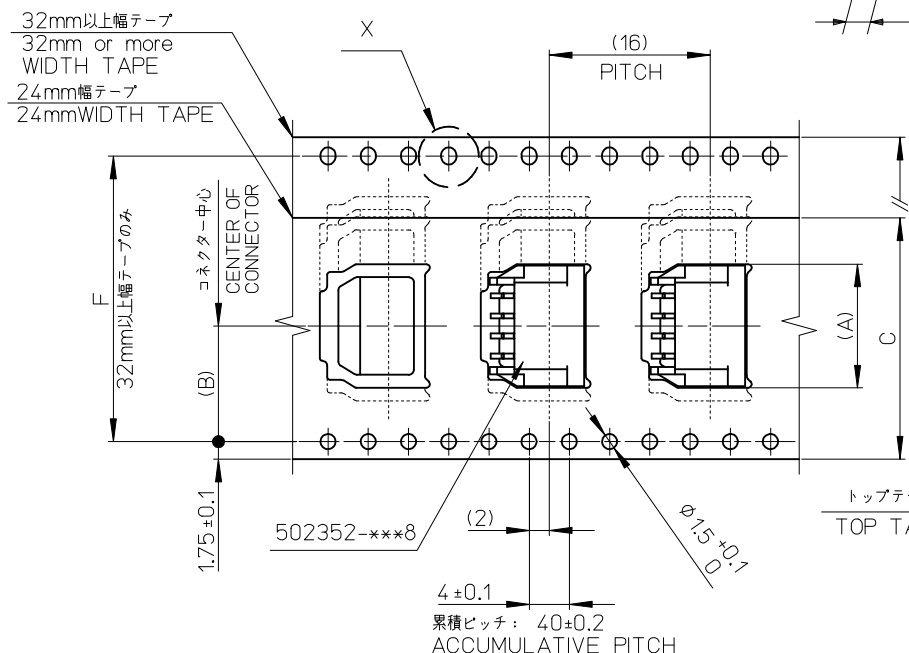
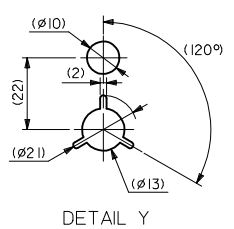
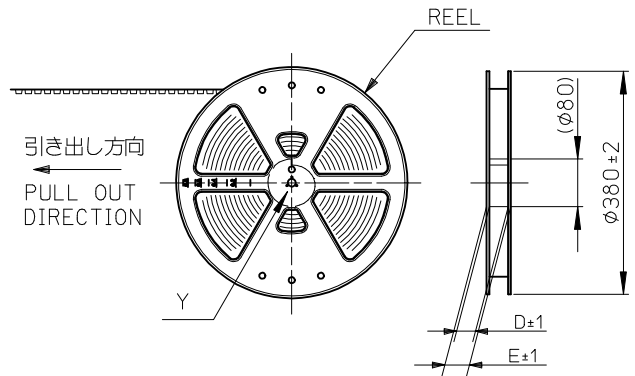
A	REVISED	EC NO: JTR2016-0015	QUALITY SYMBOLS	GENERAL TOLERANCES (UNLESS SPECIFIED)	DIMENSION STYLE MM ONLY	SCALE 5:1	DESIGN UNITS METRIC	THIRD ANGLE PROJECTION				
		DRW:KANAGA 02 2016/03/01							4 PLACES ± --- ± ---	DRAWN BY	DATE	TITLE 2.0MM PITCH W/B CONN. WAFER ASSY R/A SMT
		CHKD:HKOMATSU 2016/03/04							3 PLACES ± --- ± ---	CHECKED BY	DATE	
		APPR:MIYAMAMOTO 2016/03/08							2 PLACES ± --- ± ---	APPROVED BY	DATE	
	1 PLACE ± --- ± ---	AKANESHIGE	2007/12/18									
		0 PLACE ± ±	ANGULAR ± - °	DRAFT WHERE APPLICABLE MUST REMAIN WITHIN DIMENSIONS	SEE CHART	MATERIAL NO.	DOCUMENT NO.	SHEET NO.				

注記  
NOTES

- 製品番号  
 ナチュラル・錫めっき: 502352-\*\*00  
 ナチュラル・金めっき: 502352-\*\*10  
 黒・錫めっき: 502352-\*\*01  
 赤・錫めっき: 502352-\*\*02  
 青・錫めっき: 502352-\*\*03  
 詳細寸法については、製品単体図面を参照下さい。  
 PART NO.  
 NATURAL Sn Plating: 502352-\*\*00  
 NATURAL Au Plating: 502352-\*\*10  
 BLACK Sn Plating: 502352-\*\*01  
 RED Sn Plating: 502352-\*\*02  
 BLUE Sn Plating: 502352-\*\*03  
 SEE SALES DRAWING FOR CONNECTOR
- 梱包数量: 700個/リール  
 NUMBER OF CONNECTORS 700PCS/REEL
- リードテープ長さ  
 LEAD TAPE LENGHT



- 材料  
 MATERIAL  
 キャリアテープ: ポリスチレン  
 CARRIER TAPE: POLYSTYRENE  
 トップテープ: PET, PE, PEF  
 TOP TAPE: PET, PE, PEF  
 リール: ポリスチレン  
 REEL: POLYSTYRENE
- 一般降参  
 GENERAL TOLERANCES  
 10 UNDER: 0.2  
 10 OVER 30 UNDER: 0.25  
 30 OVER: 0.3  
 ANGULAR: ±1°



引き出し方向  
PULL OUT DIRECTION

エンボステープ内の製品の向き  
DIRECTION OF CONNECTOR  
IN EMBOSSED TAPE

REVISED EC NO: JTR2016-0015 DRWN:KNAGAI02 2016/03/01 CHKD:HKWATSU 2016/03/04 APPR: MAYAMAMOTO 2016/03/08	DESCRIPTION REV	QUALITY SYMBOLS ▽=0 ▽=1 ▽=2		GENERAL TOLERANCES (UNLESS SPECIFIED)		DIMENSION STYLE MM ONLY		SCALE	DESIGN UNITS METRIC	THIRD ANGLE PROJECTION	
		4 PLACES ± --- ± ---	3 PLACES ± --- ± ---	2 PLACES ± --- ± ---	1 PLACE ± --- ± ---	0 PLACE ± --- ± ---	mm	INCH	DRAWN BY SHSHIBATA	DATE 2007/6/6	TITLE 2.0MM PITCH W/B CONN. WAFER ASSY EMBOSSED TAPE PACKAGE
DRAFT WHERE APPLICABLE MUST REMAIN WITHIN DIMENSIONS						SEE CHART		MATERIAL NO. MAYAMAMOTO 2012/03/14		DOCUMENT NO. SD-502352-002	SHEET NO. 1 OF 2

