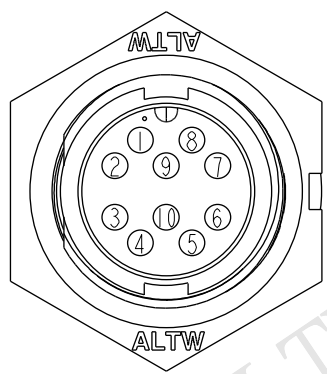
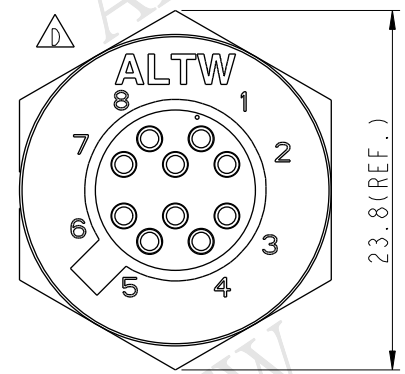
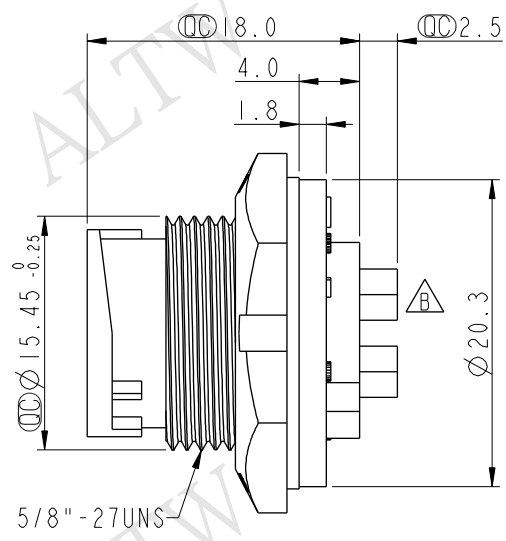
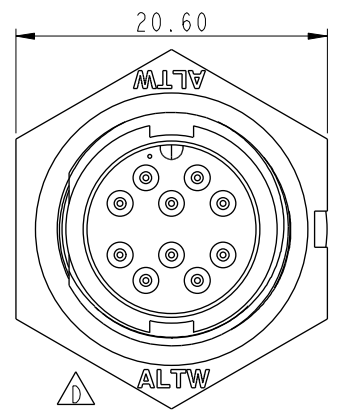


REV.	ECN NO.	DATE	SIGN	DESCRIPTION
C	LEN-8B0410	2008/09/22	Shin	Add Note
D	LEN1590288	2015/09/01	Vicky	Update Logo

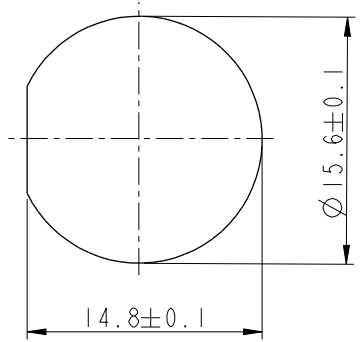
△

ALTW  
CONFIDENTIAL  
2015-09-01  
R&D DEPT.

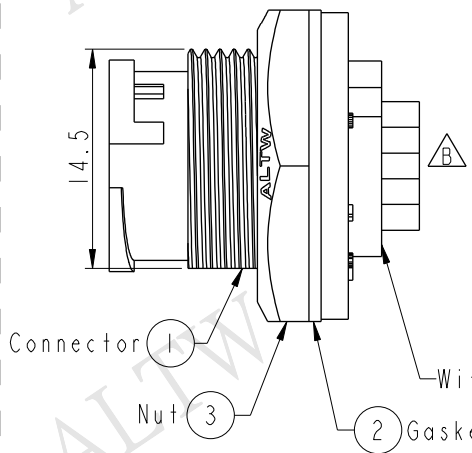
ALTW  
DCC. DEPT. CONFIDENTIAL  
2015.09.18  
ISSUED



Pin Assignments  
Front View



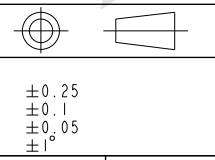
Recommended Panel Cut-out



Note:

- \*  $\text{CC}$  Important Dimension To Check.
- \* Waterproof Rate: IP67
- \* Housing: Nylon+GF, Black
- \* Male Pin: Copper Alloy, Gold Plated
- \* Nut: Nylon+GF, Black
- \* Gasket: EPDM, Black
- △ \* Use With Waterproof Cap Or Dust Cap  
Panel Thickness Max: 3.0mm
- △ \* Use Without Waterproof Cap Or Dust Cap  
Panel Thickness Max: 4.5mm

UNIT:mm	
TOLERANCE	
.X	±0.25
.XX	±0.1
.XXX	±0.05
ANGLES	±1°



TITLE	Standard Panel Lock 10Pin M Conn. M Pin		
SCALE	2:1	SIZE	A4
REV.	D	WC-REV.	A.4
		$\text{CC}$	Inspection item

**Amphenol LTW**  
安費諾亮泰企業股份有限公司

ITEM NO	BU-10PMMS-LC7001
DWG NO	BU-10PMMS-LC7001
CUSTOMER	ALTW

DRAWN BY	Vicky
CHECKED BY	Rita
APPROVED BY	Lion

DATE	2015-09-01
DATE	2015-09-01
DATE	2015-09-01

THIS DOCUMENT IS SUBJECT TO CHANGE WITHOUT NOTICE. IT IS CONFIDENTIAL AND A PROPERTY OF AMPHENOL LTW. DISCLOSURE TO THIRD PARTY HAS TO BE AUTHORIZED BY AMPHENOL LTW.