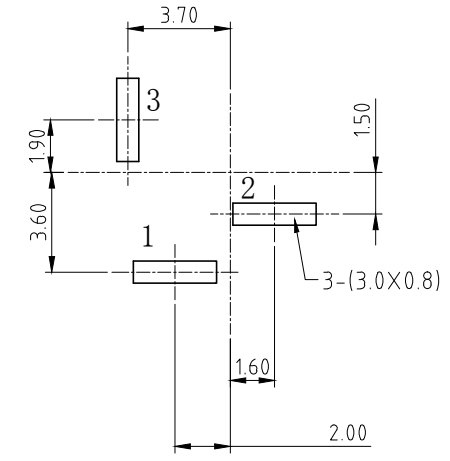
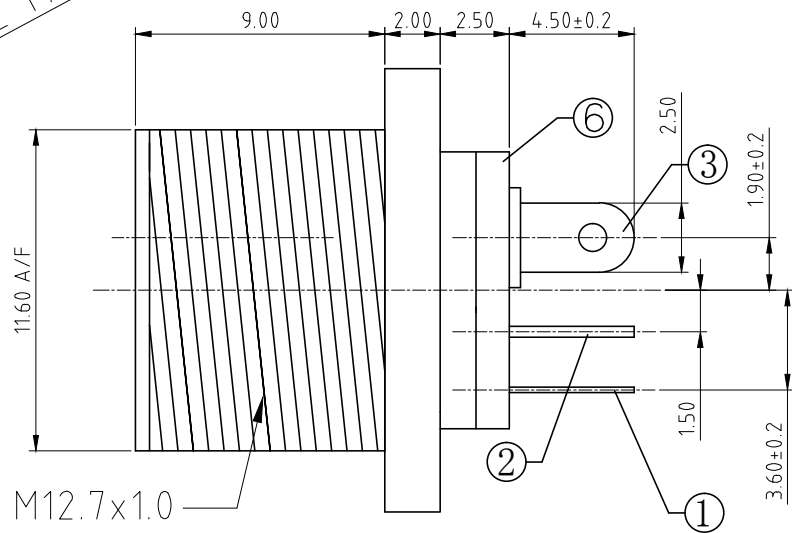
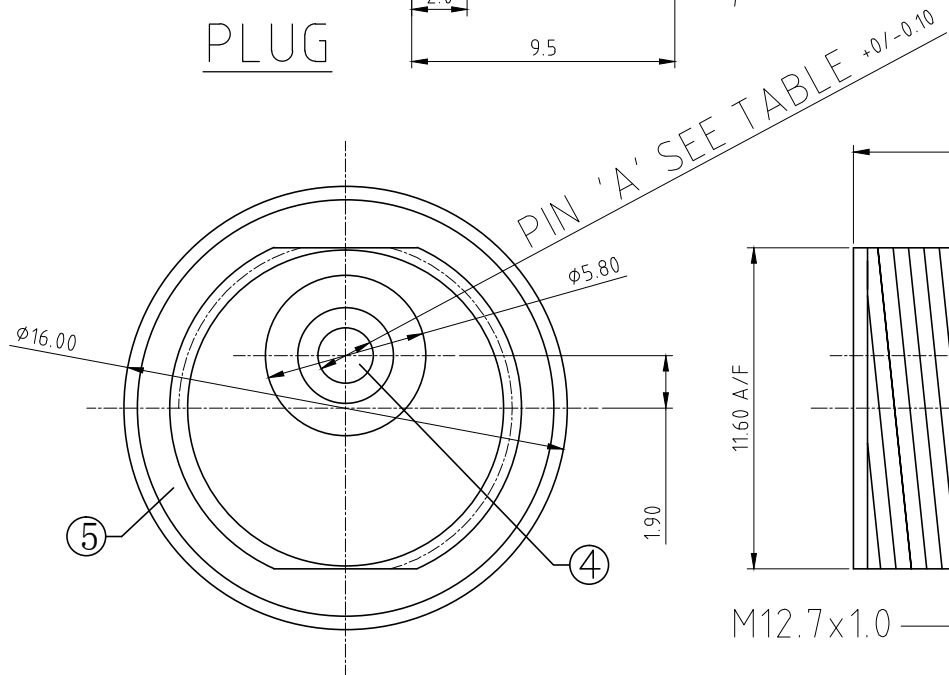
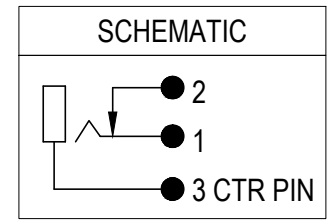
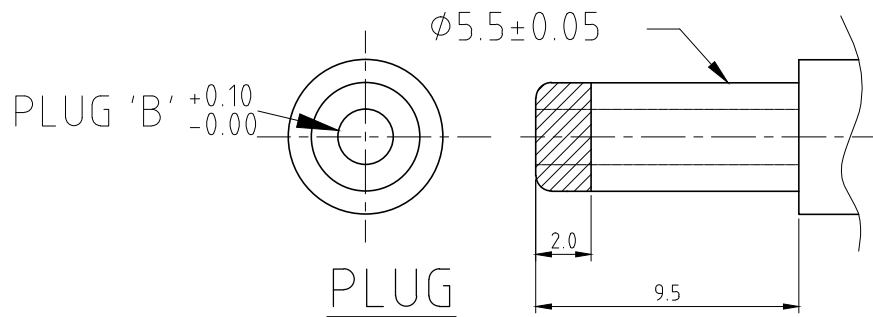


ISS.	AMEND	DATE
1	1st DRAWN	07/05/13
2	A/F DIM ADD	27/11/13
3	PIN 1+3 REVERSE	16/04/15



P.C.B LAYOUT(±0.1)  
(TOP VIEW)

No.	DESCRIPTION	QTY	MATERIAL	PLATING & COLOR
6	COVER	1	PBT	BLACK
5	HOUSING	1	PBT	BLACK
4	PIN	1	BRASS	NICKEL PLATE
3	CONTACT	1	BRASS	TIN PLATE
2	CONTACT	1	BRASS	TIN PLATE
1	SPRING	1	SUS	TIN PLATE

PART No	PIN A Ø	PLUG B Ø
FC681473	Ø2.10	Ø2.05
FC681474	Ø2.50	Ø2.55

SUPPLIED WITH NUT

**RoHS**  
COMPLIANT

**TOLERANCE**  
NO DEC. PLACE ± 0.50  
1 DEC. PLACE ± 0.30  
2 DEC. PLACE ± 0.15  
HOLE Ø ±  
ANGLES ± 3°  
UNLESS OTHERWISE STATED

**Cliff Electronic Components Ltd.**  
76 Holmehorpe Avenue, Holmehorpe Industrial Estate,  
Redhill, Surrey, RH1 2PF, England, UK  
Tel: 01737-771375 Fax: 01737-766012 Website: www.cliffuk.co.uk

DIMENSIONS IN MILLIMETERS UNLESS OTHERWISE STATED. WORK TO DIMENSIONS. REMOVE ALL BURRS. IF IN DOUBT ASK.

3rd ANGLE PROJECTION:

DO NOT SCALE

MATERIAL: SEE TABLE

TITLE: M12.7 PANEL MT DC SOCKET (2.1mm/2.5mm)

FINISH: CLEAN - SEE TABLE

DRWG. No. **FC681473** FORM: A4DRWGH

THE CONTENTS OF THIS DOCUMENT MUST NOT BE COPIED OR DISCLOSED TO A 3rd PARTY WITHOUT WRITTEN PERMISSION OF CLIFF UK. © 2013

DRAWN: T.J.O.

APPROVED: D.P.J.