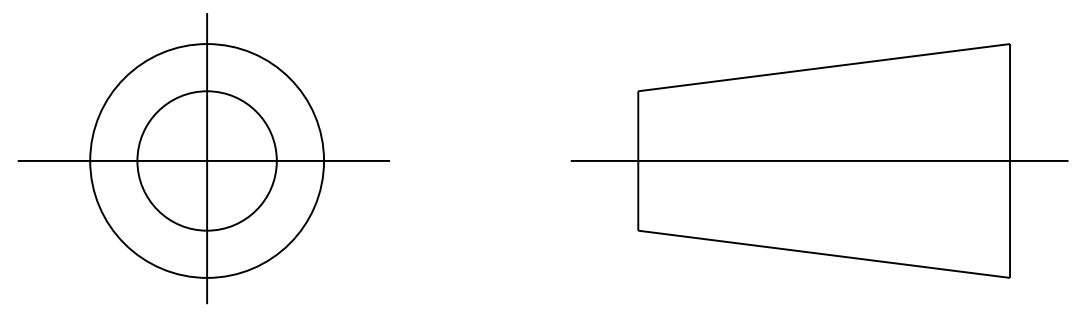


DRAWING No.
152101

SHT. 1
OF
1 SHTS.

© THE COPYRIGHT OF THIS DRAWING IS RESERVED BY HELLERMANN TYTON. IT IS ISSUED ON CONDITION THAT IT IS NOT COPIED, REPRODUCED OR DISCLOSED TO A THIRD PARTY EITHER WHOLLY OR IN PART WITHOUT THE CONSENT IN WRITING OF HELLERMANN TYTON.

THIRD ANGLE PROJECTION

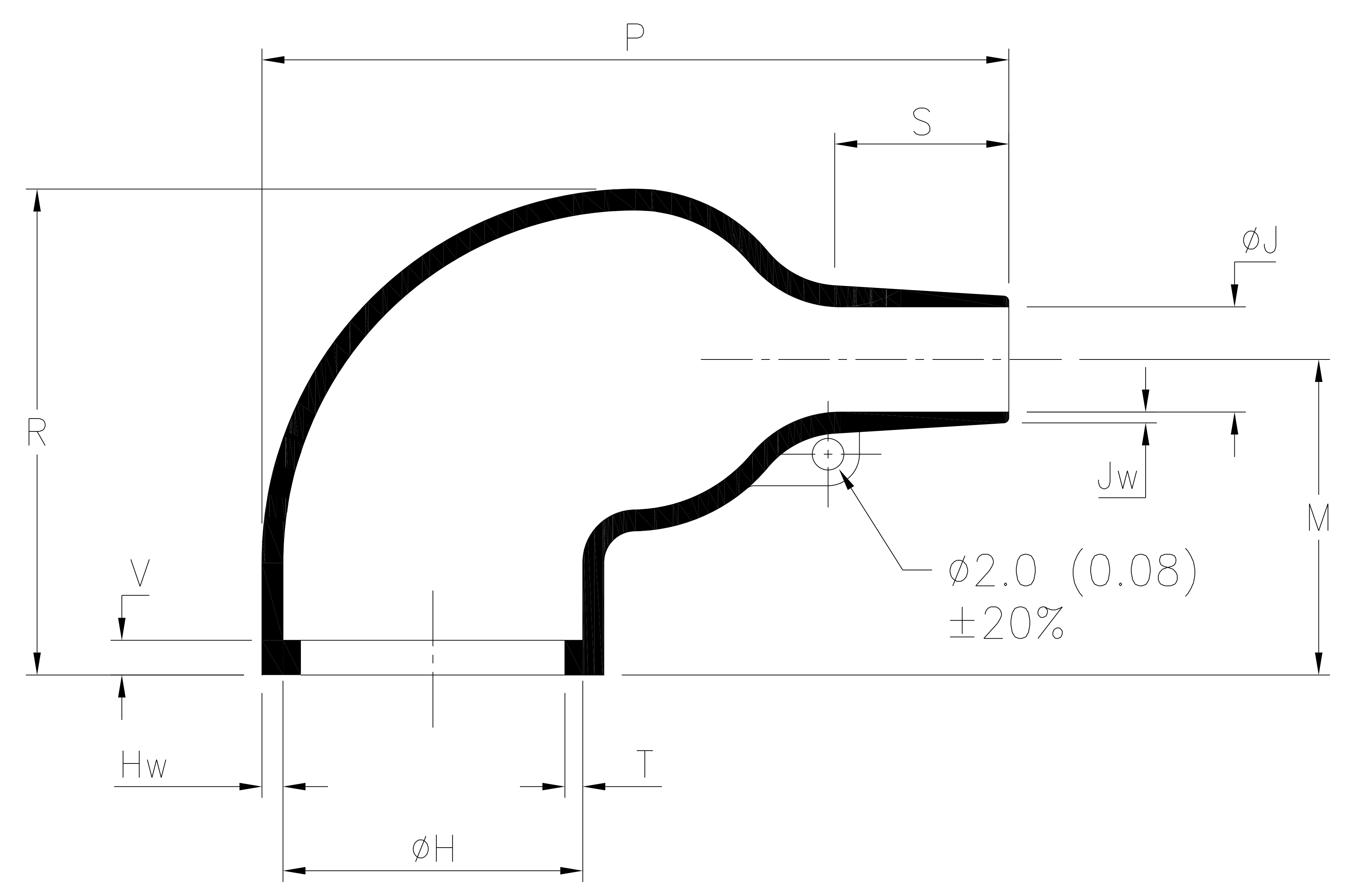


BS 8888

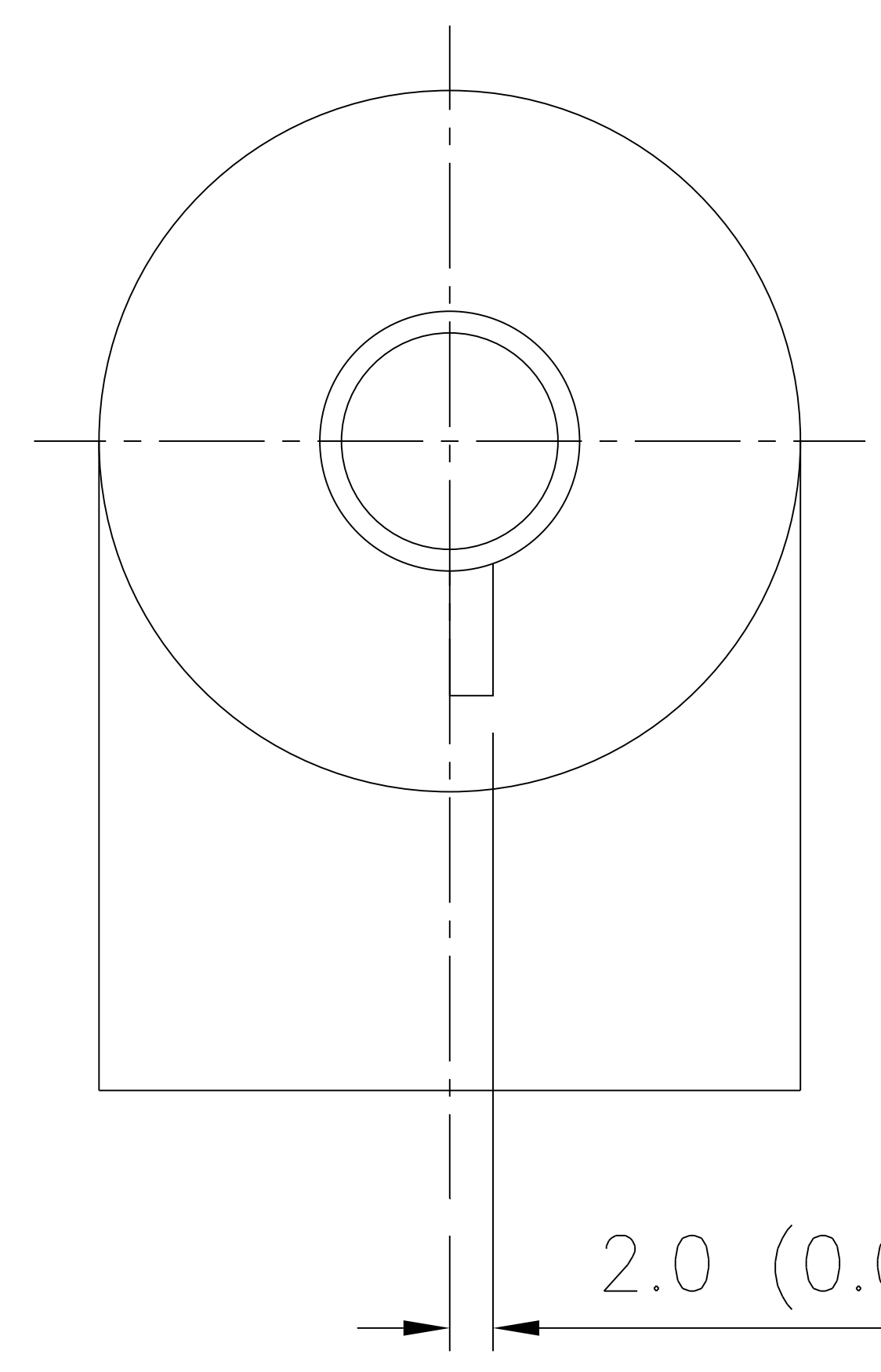
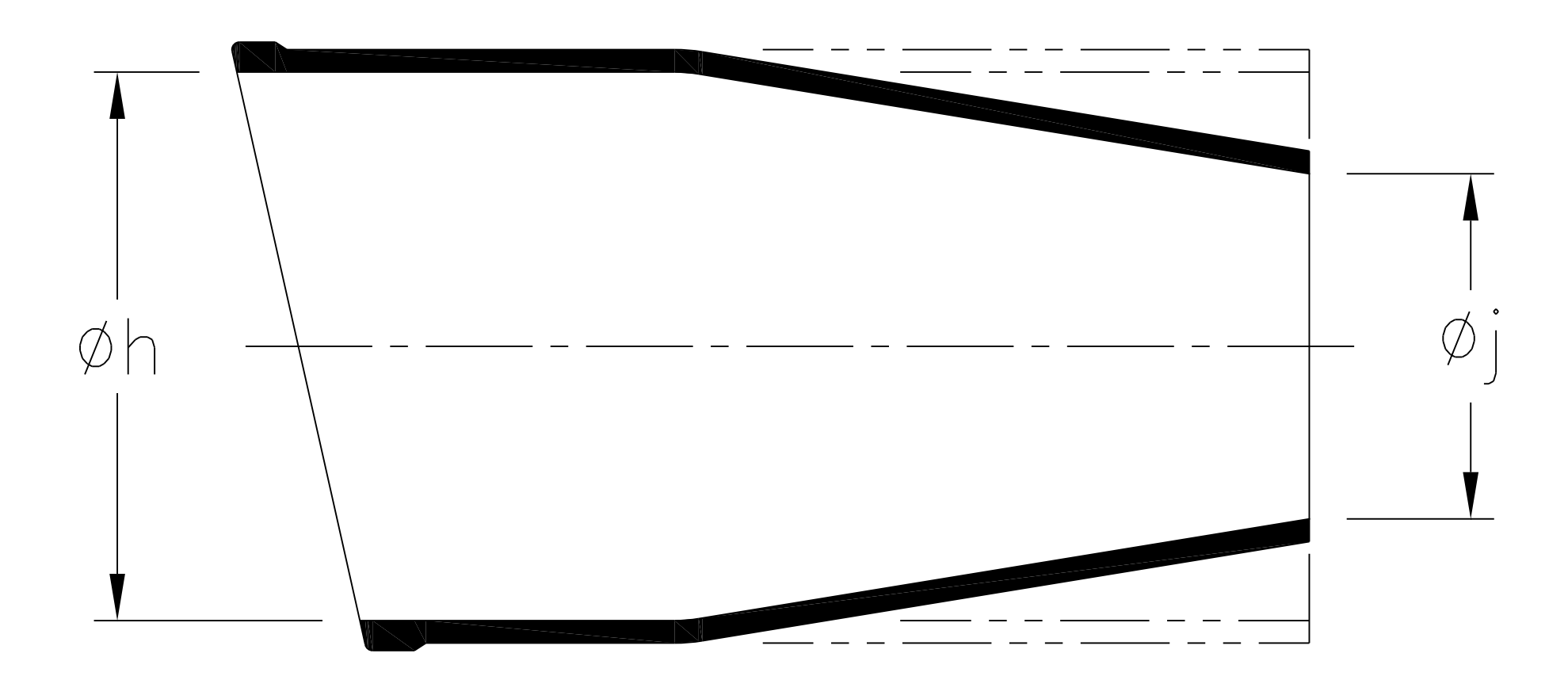
DO NOT SCALE
IF IN DOUBT ASK

Q.A.	H/S SETT
H/S Q.A.	REL. INSP.
H/S PROD	EXT. ISS. CODE

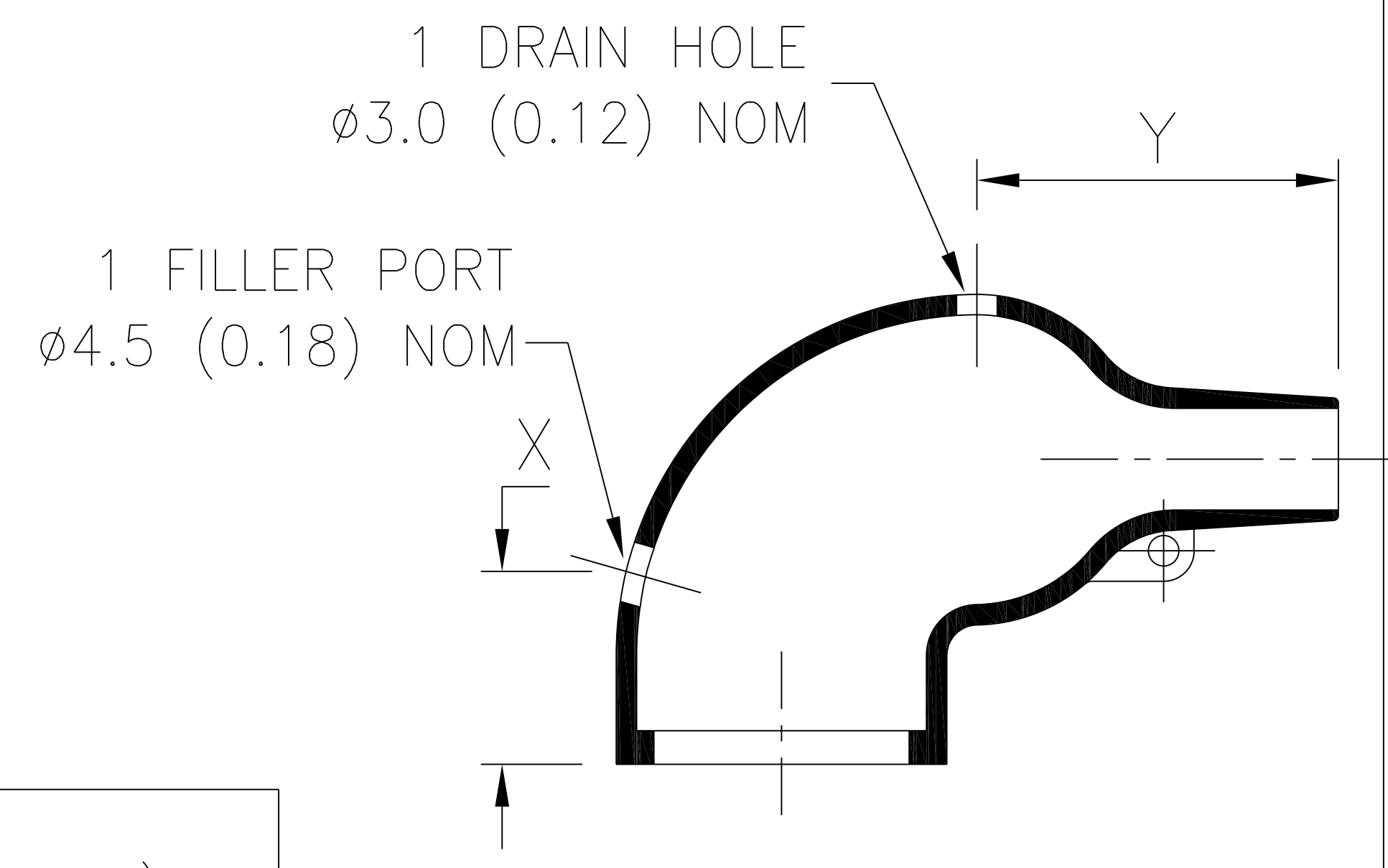
STANDARD PART (AFTER UNRESTRICTED RECOVERY)



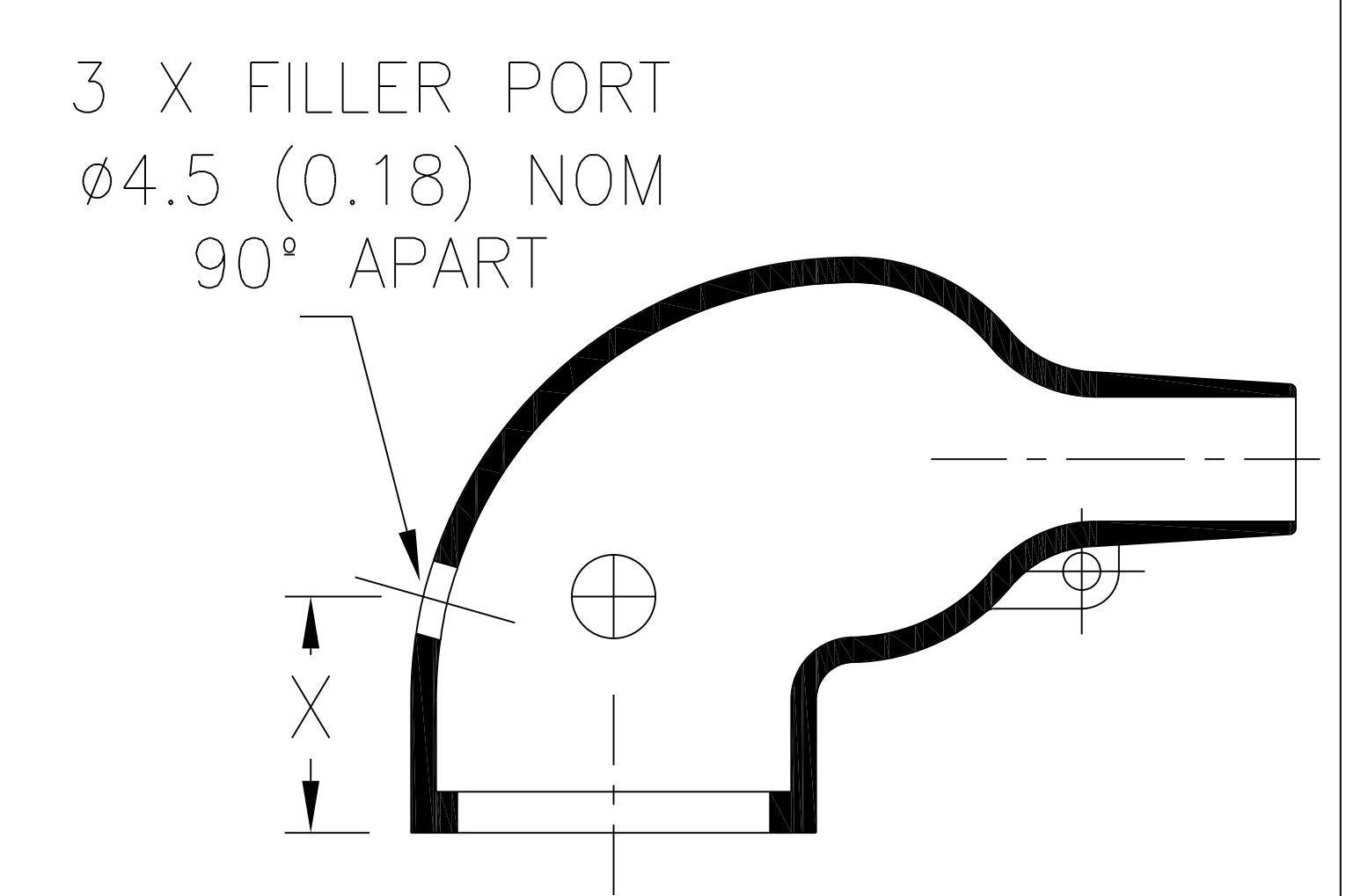
EXPANDED (AS SUPPLIED)



OPTION TO STANDARD PART
FILLER PORT (CODE P)



OPTION TO STANDARD PART
DRAIN HOLES (CODE D31)



SPEC.	PART No.	EXPANDED DIAMETERS (AS SUPPLIED)		RECOVERED DIAMETERS		RECOVERED DIMENSIONS							
		phi_h	phi_j	phi_H	phi_J	M	P	R	S	T	V	Hw	Jw
		MIN	MIN	MAX	MAX	NOM	±20%	±10%	NOM	±20%	MAX	±20%	±30%
VG 95343 T06E002A	1154-4	30 (1.18)	30 (1.18)	14.5 (0.57)	6 (0.24)	20 (0.79)	41 (1.61)	27 (1.06)	12 (0.47)	1.0 (0.04)	3.3 (0.13)	1.5 (0.06)	1.0 (0.04)
-	1154-6	30 (1.18)	15 (0.59)	14.5 (0.57)	6 (0.24)	20 (0.79)	41 (1.61)	27 (1.06)	12 (0.47)	1.0 (0.04)	3.3 (0.13)	1.5 (0.06)	1.0 (0.04)
-	1154-12	18 (0.71)	12 (0.47)	14.5 (0.57)	6 (0.24)	20 (0.79)	41 (1.61)	27 (1.06)	12 (0.47)	1.0 (0.04)	3.3 (0.13)	1.6 (0.06)	1.0 (0.04)
-	1154-50	24 (0.94)	12 (0.47)	14.5 (0.57)	6 (0.24)	20 (0.79)	41 (1.61)	27 (1.06)	12 (0.47)	1.0 (0.04)	3.3 (0.13)	1.6 (0.06)	1.0 (0.04)

OPTIONAL FILLER PORT DETAIL (CODE P)			
SPEC.	PART No.	RECOVERED DIMENSIONS	
		X	Y
		±20%	±20%
VG 95343 T07E002A	1154-4	18 (0.71)	20 (0.79)
-	1154-6	18 (0.71)	20 (0.79)
-	1154-12	18 (0.71)	20 (0.79)
-	1154-50	18 (0.71)	20 (0.79)

OPTIONAL DRAIN HOLE DETAIL (CODE D31)			
SPEC.	PART No.	RECOVERED DIMENSIONS	
		X	
		±20%	
VG 95343 T07E002A	1154-4	20.0 (0.79)	
-	1154-6	20.0 (0.79)	
-	1154-12	20.0 (0.79)	
-	1154-50	20.0 (0.79)	

8	P1499	GL	24/02/15
7	P1489	GB	01/12/14
6	P1452	CB	01/04/14
5	P1362	DJC	05/10/11
4	P1329	G.B.	11/10/10
ISSUE	NOTE No.	DRAWN	DATE

HellermannTyton

William Prance Road,
Plymouth International Med. & Tech. Park,
Plymouth, PL6 5WR
Tel ++44 (0) 1752 701261
Fax ++44 (0) 1752 790058

NAME	S.Almond	SCALE	NTS	ADHESIVE	A3 ORIGINAL SHEET SIZE 420mm x 297mm	SHT. 1 OF 1 SHTS.
DATE	18/04/08	DIMS IN	mm (in)			
TITLE	RT. ANGLE SLEEVE			PART No.	DRAWING No.	
				1154	152101	