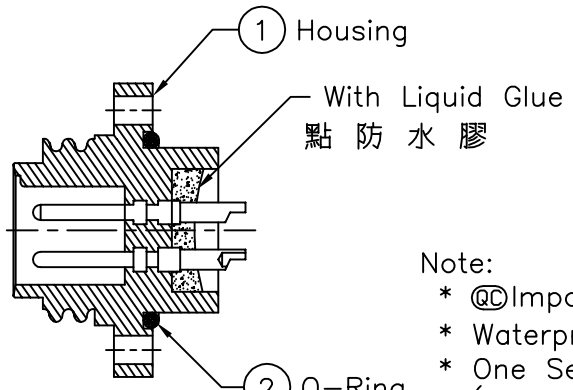
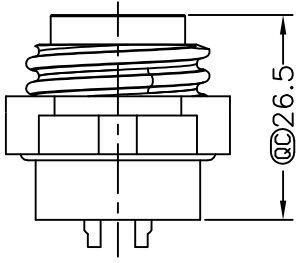
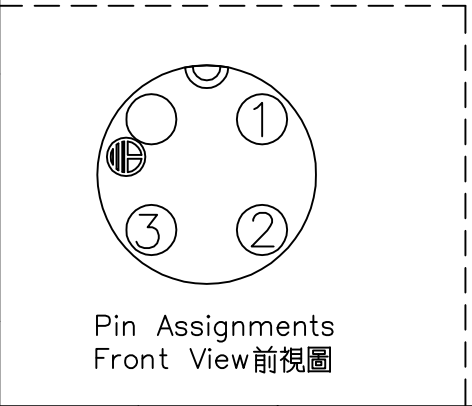
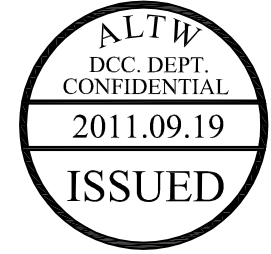
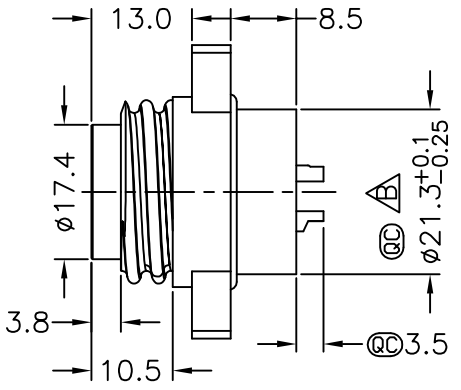
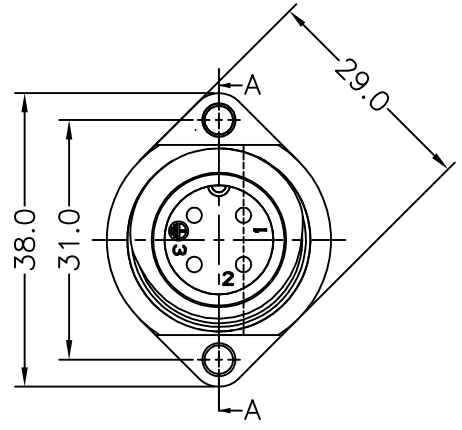
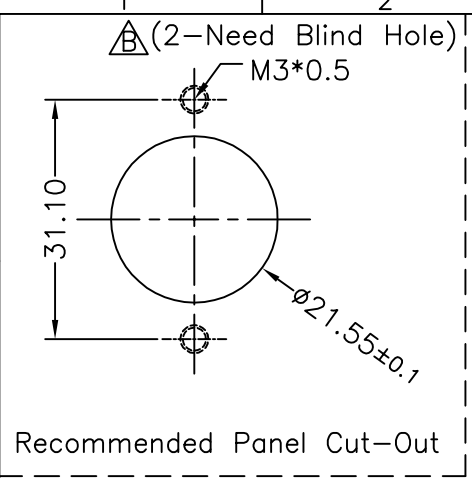


5	6	7	8
REV. B	ECN NO. LEN1190168	DATE 2011/08/26	SIGN Tony
			DESCRIPTION Modify Dimension & Note

THIS DOCUMENT IS SUBJECT TO CHANGE WITHOUT NOTICE. IT IS CONFIDENTIAL AND A PROPERTY OF AMPHENOL LTW. DISCLOSURE TO THIRD PARTY HAS TO BE AUTHORIZED BY AMPHENOL LTW.



Section A-A

- Note:
- \* @C Important Dimension.
  - \* Waterproof Rate : IP67
  - \* One Set in One LTW Sealed Bag (每一組裝, 放置於一個 LTW封口袋)
  - \* Housing: Nylon+GF, Black.
  - \* Male pin: Copper Alloy, Gold Plated
  - \* △ O-Ring: Silicone 60, Gray.
  - \* Liquid Glue: Clear.

UNIT:mm	
TOLERANCE	
.X	±0.25
.XX	±0.1
.XXX	±0.05
ANGLES	±1°

TITLE		3+PE POWER CONNECTOR(12A)	
SCALE	Free	SHEET	1 OF 1
REV. B	SIZE A4	@C	:Inspection Item

**Amphenol LTW**  
安費諾亮泰企業股份有限公司

ITEM NO	PWF-04PMMS-SC7001
DWG NO	PWF-04PMMS-SC7001
CUSTOMER	ALTW

DRAWN BY	Tony
CHECKED BY	Chang
APPROVED BY	LUKE

DATE	2011/08/26
DATE	2011/08/30
DATE	2011/08/30