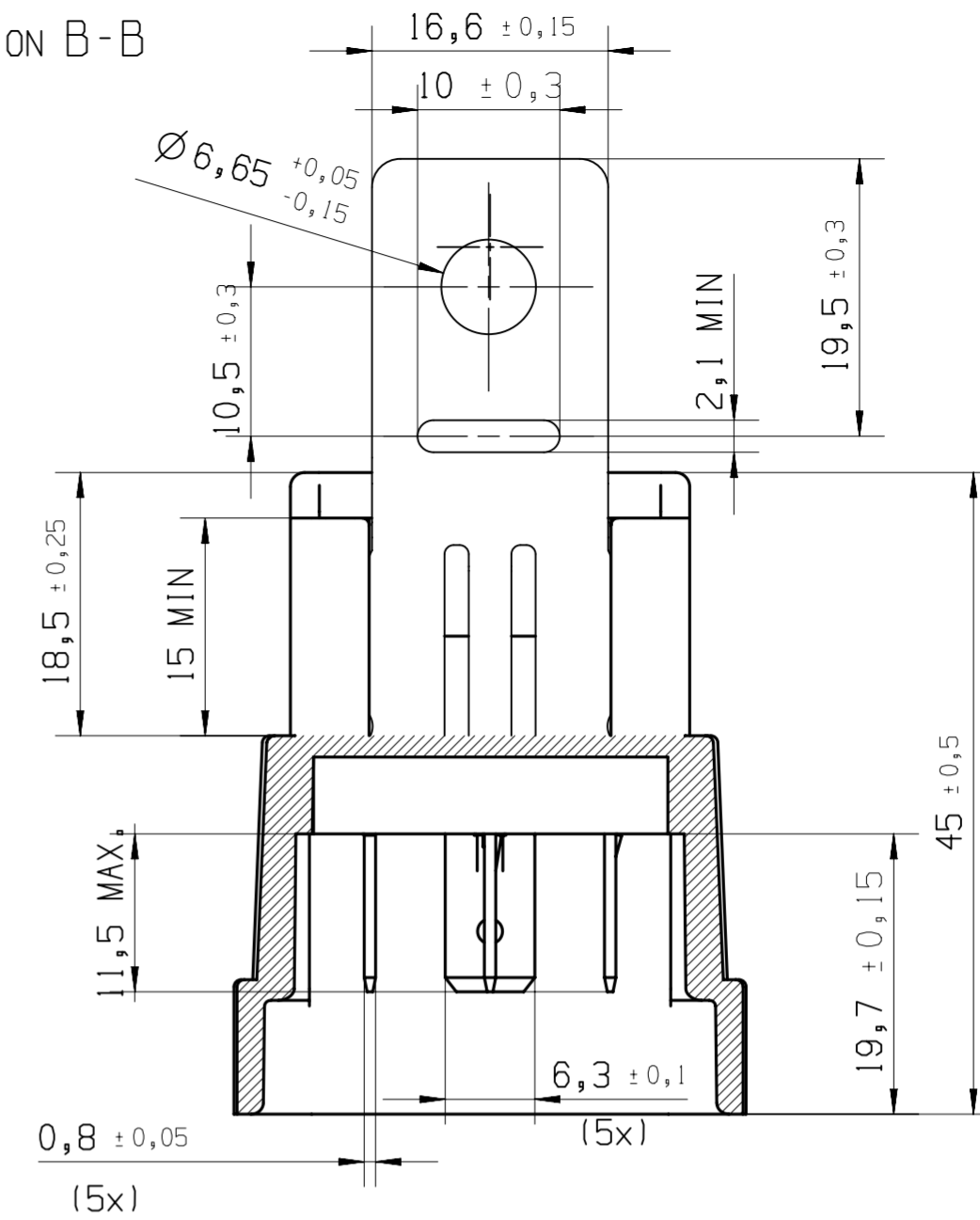
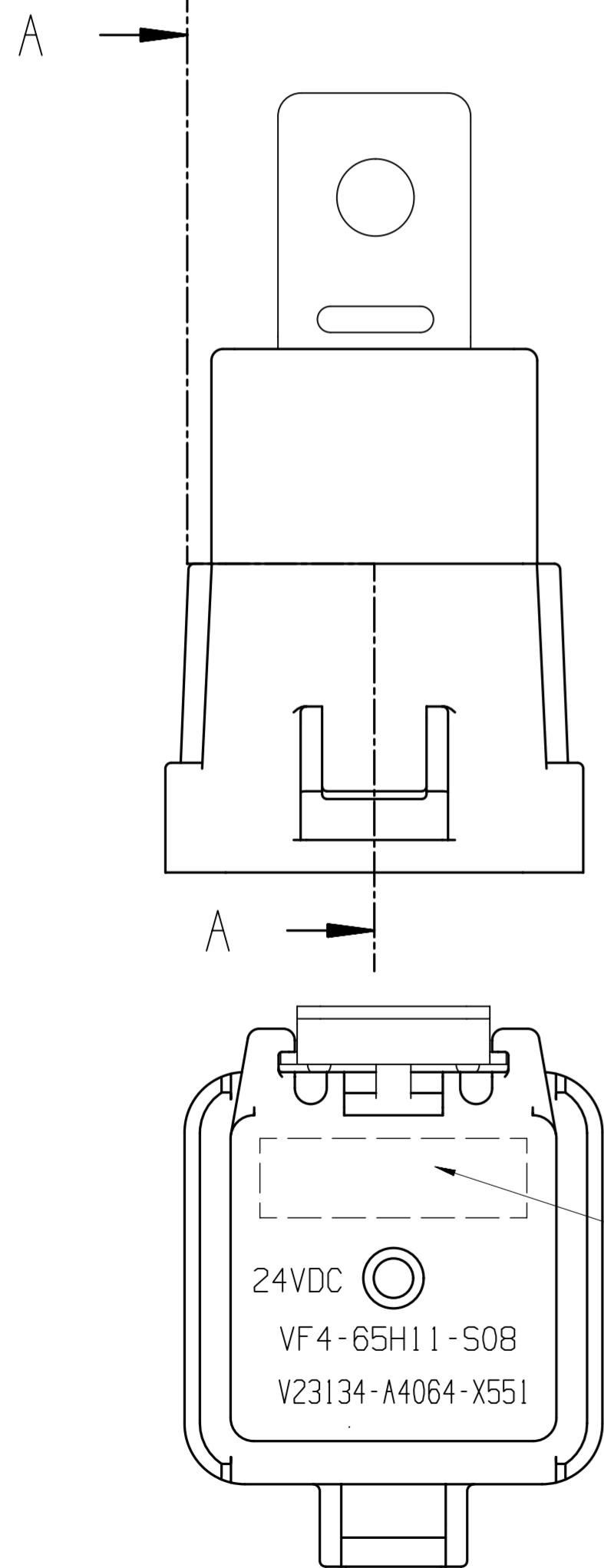


SECTION B-B

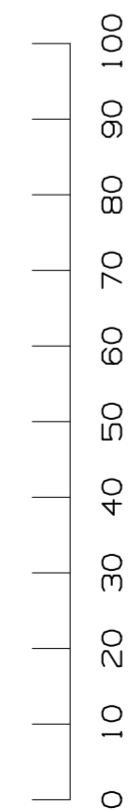


\* TERMINAL LOCATIONS APPLY AT THE BASE OF THE TERMINAL

MARKING LASER MARKED OR WITH INK PRINTED OR INJECTION MOLDED TO INCLUDE: MANUFACTURER'S NAME, MANUFACTURER'S PART NUMBER, SCHEMATIC, COIL VOLTAGE, COUNTRY OF ORIGIN AND DATE CODE



TE P/N	PART NAME
3-1904131-7	V23134-A4064-X551



PROPRIETARY THE REPRODUCTION, TRANSMISSION OR USE OF THIS DOCUMENT OR IT'S CONTENTS IS NOT PERMITTED WITHOUT EXPRESSED WRITTEN AUTHORITY. OFFENDERS WILL BE LIABLE FOR ALL DAMAGES. ALL RIGHTS, INCLUDING RIGHTS CREATED BY REGISTERED PATENT(S) GRANTED FOR A UTILITY MODEL OR DESIGN, ARE RESERVED.		CHANGES TO THIS DRAWING MUST BE DONE ONLY IN CAD	PAPER SIZE <b>A2</b>
APPLICABLE SPEC.: Replacement for VF4-65H11-S08		FINISH DIMENSIONS APPLY PLATING SCALE <b>2:1</b> WEIGHT	
TOLERANCE UNLESS SPECIFIED OTHERWISE DIMENSIONS IN MM		MATERIAL PART NAME <b>POWER F RELAY CHANGE OVER</b>	
DATE NAME DWN. 11NOV2016 L.Sandoval APP. REV. LOCATION PE EVORA		DWG NO. <b>C - V23134-A4064-X551</b>	
AI Initial Release 30NOV2016 L.Sand A --- 11NOV2016 L.Sand	DATE APP. REV. CHANGE ORDER	SHT. 1 OF 1 CUSTOMER DRAWING	

