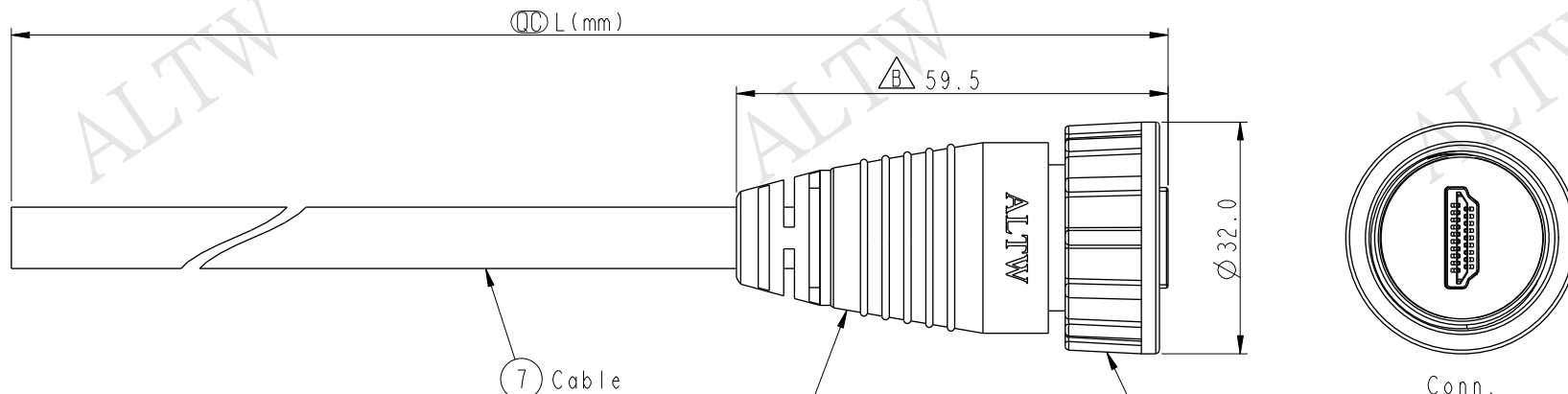


THIS DOCUMENT IS SUBJECT TO CHANGE WITHOUT NOTICE. IT IS CONFIDENTIAL AND A PROPERTY OF Amphenol LTW. DISCLOSURE TO THIRD PARTY HAS TO BE AUTHORIZED BY Amphenol LTW.

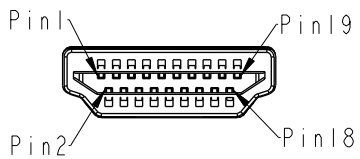
REV.	ECN NO.	DATE	SIGN	DESCRIPTION
A	Initial Release	2013/10/14	Kelly.G	New Item
B	LE31470342	2014/07/21	Jason.Yu	Modify Dimension



Type 3	IC
Type 2	IP
Type 1	IP+D+AL
Wire Type	



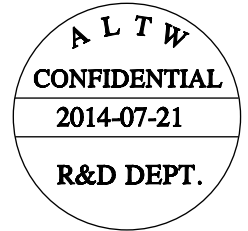
Shell	Braid	纏繞	
19	Gray	灰	3
18	Red	紅	3
17	Pink	粉紅	3
16	Orange	橙	2
15	Yellow	黃	2
14	Purple	紫	3
13	White	白	3
12	White	白	
11	Drain	地線	1
10	Blue	藍	
9	White	白	
8	Drain	地線	1
7	Green	綠	
6	White	白	
5	Drain	地線	1
4	Red	紅	
3	White	白	
2	Drain	地線	1
1	Brown	棕	



Pin Assignments
Front View

HP-19AFMM-SL7AXX
 ↑
 XX:01~05Meters
 01:01 Meters
 02:02 Meters
 :
 :
 05:05 Meters
 Cable Length(L):01~05Meters

Note:
 * (QC) Important Dimension To Check.
 * Waterproof Rate: IP67
 * Plug: 19Pin HDMI Type A
 * Housing: Nylon+GF, Black
 * Screw Nut: Nylon+GF, Black
 * Gasket: EPDM, Black
 * Cable: UL20276 (26#*1P+D+AL+MYLAR)*4C
 +26#*1P+26#*5C+AL+B,
 PVC Jacket, OD=8.5
 * Cable Length Tolerance: L±5%mm



Conn.	Wire Color	Wire Type
	Pin Out	

UNIT:mm		
TOLERANCE	±0.5	

TITLE HDMI CABLE SCREW 19PIN F CONN M PIN			
SCALE 1:1	SIZE A4	SHEET 1 OF 1	
REV. B	WC-REV. A.2	(QC): Inspection item	

Amphenol LTW
 安費諾亮泰企業股份有限公司

ITEM NO	DRAWN BY Jason.Yu	DATE 2014-07-21
DWG NO HP-19AFMM-SL7AXX	CHECKED BY Kris	DATE 2014-07-21
CUSTOMER ALTW	APPROVED BY WenMao	DATE 2014-07-21