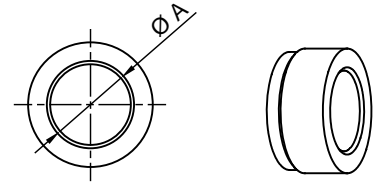
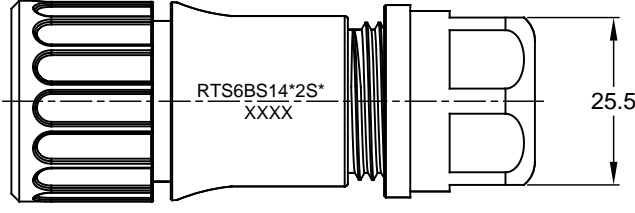
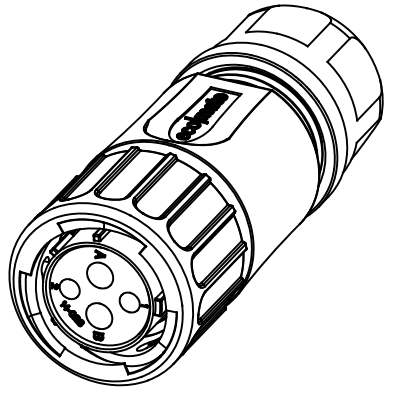
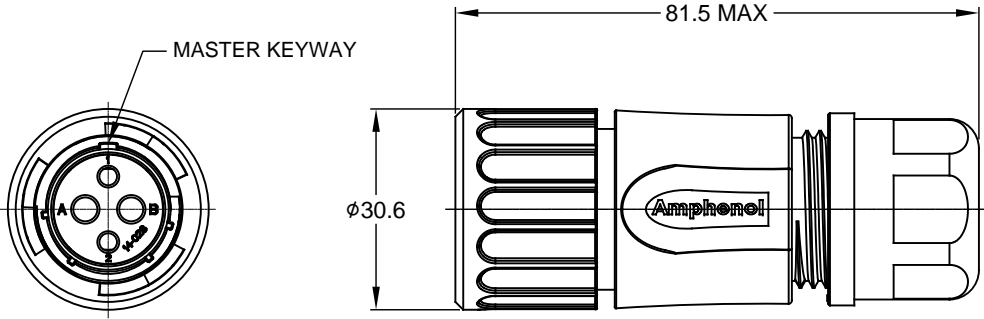


| REVISIONS | | | | | |
|-----------|-----|------------------|-----------|-------|-------|
| REV | ECO | DESCRIPTION | DATE | BY | APPR |
| A1 | -- | RELEASED DRAWING | AUG-09-16 | JARRY | TOMMY |



NOTES : (UNLESS OTHERWISE SPECIFIED)

- MATERIAL :
 - SHELL : THERMOPLASTIC , UL94 V-0.
 - INSERT : THERMOPLASTIC , UL94 V-0.
 - COUPLING NUT : THERMOPLASTIC , UL94 V-0.
 - O-RING : NBR OR SR.
 - WAVE WASHER : STAINLESS STEEL.
 - BACK SHELL : THERMOPLASTIC , UL94 V-0.
 - CLAMP NUT : THERMOPLASTIC , UL94 V-0.
 - PLASTIC RING : THERMOPLASTIC , UL94 V-0.
 - RUBBER RING : NBR OR SR.
- SPECIFICATIONS :
 - 2.1 RATED CURRENT : 2.5MM CONTACTS@ 23A (MAX).
16# CONTACTS@ 13A (MAX).
 - 2.2 RATED VOLTAGE : 500V(AC/DC).
 - 2.3 OPERATING TEMPERATURE : SEE CHART .
 - 2.4 DIELECTRIC WITHSTANDING VOLTAGE : LESS THAN
2 MILLIAMPS CURRENT LEAKAGE@2000 VOLTS AC.
 - 2.5 INSULATION RESISTANCE : 5000 MEGOHMS MIN.
 - 2.6 IP CLASS : IP67.
 - 2.7 MATING CYCLES DURABILITY : 500 CYCLES MIN.
 - 2.8 RoHS COMPLIANT.
- SUITABLE CONTACTS : 2.5MM CONTACTS
16# CONTACTS.
- ALL DIMENSIONS ARE FOR REFERENCE USE ONLY.

| DIMENSION ØA | CABLE OD RARGE |
|--------------|----------------|
| 12.3MM | 5.0-12.0MM |
| 14.3MM | 7.0-14.0MM |

| KEY | PART NUMBER | |
|-----|----------------|----------------|
| | -40°C ~ +105°C | -40°C ~ +125°C |
| N | RTS6BS14N2S | RTS6BS14N2S03 |

| QUANTITY | PART NUMBER | DESCRIPTION | ITEM |
|--|-------------|---|--------------------------------|
| MATERIALS LIST | | | |
| <small>UNLESS OTHERWISE SPECIFIED</small> 1) All dimensions are in metric(mm). 2) Tolerances are as follows: 1 PL DEC ±0.30 Fractions ±1/64 2 PL DEC ±0.15 Angles ±1° 3 PL DEC ±0.08 3) Note reference = | | SIGNATURES DRAWN: JARRY CHECKED: ENGINEER: APPROVAL: | DATE AUG-09-16 |
| MATERIAL SPECIFICATIONS: CUSTOMER: | | Sine Systems - www.amphenol-sine.com 44724 Morley Drive Clinton Township, MI 48036 | |
| PROCESS SPECIFICATIONS: NEXT ASSY: | | <small>THIS DRAWING IS SUPPLIED FOR INFORMATION ONLY. DESIGN FEATURES, SPECIFICATIONS AND PERFORMANCE DATA SHOWN HEREON ARE THE PROPERTY OF THE AMPHENOL CORPORATION. NO RIGHTS OF REPRODUCTION ARE IMPLIED. ALL DIMENSIONS ARE SUBJECT TO NORMAL MANUFACTURING VARIATIONS.</small> | REVISION A1 |
| | | SIZE B C- | DWG NO. RTS6BS14*2S* |
| | | SCALE NONE | SHEET 1 OF 1 |

TITLE: ECO-MATE,PLUG,BACK,SHELL,SIZE 14,2+2POS,SOCKET DWG NO: RTS6BS14*2S* REV: A1 SH: 1 OF: 1