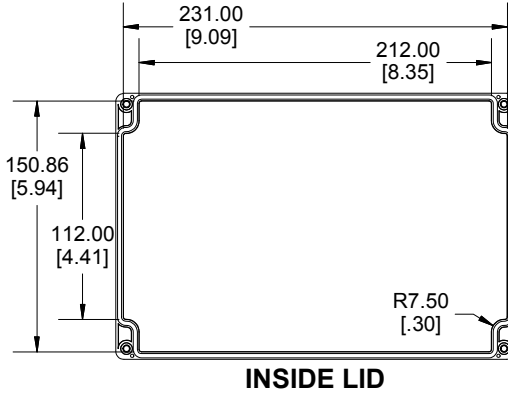
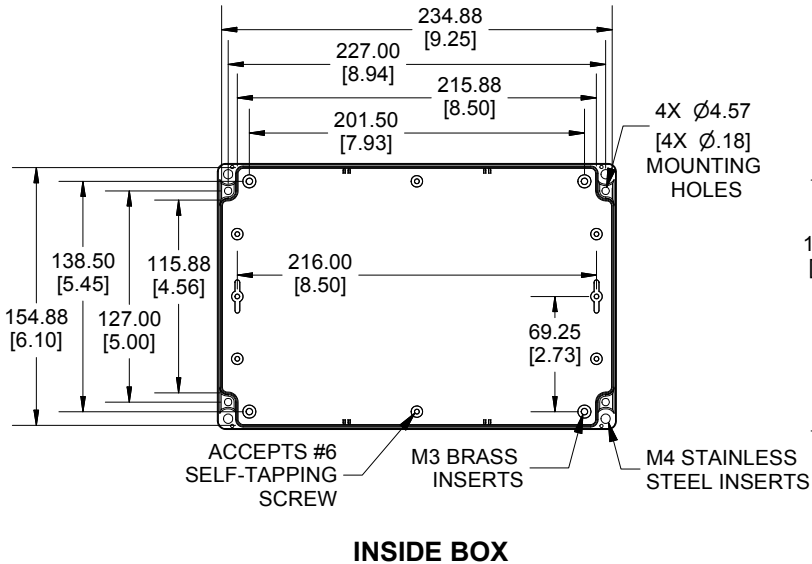
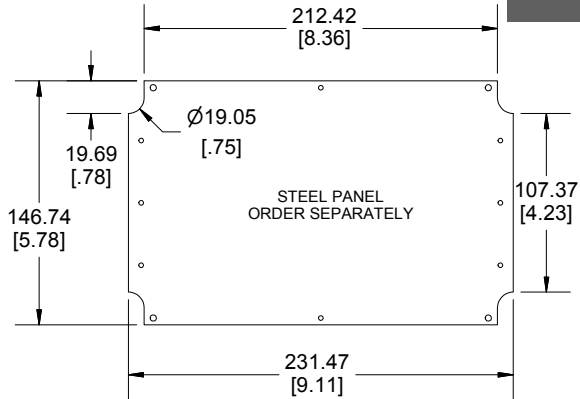
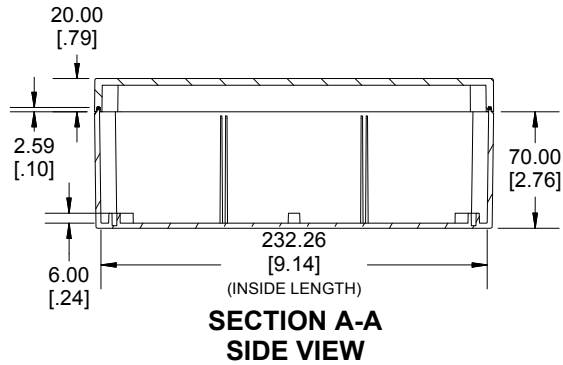


POLYCARBONATE
VERSION ONLY

 FILE #E65324
 NEMA 4, 4X



Enclosures can be Factory Modified (Milling, Drilling, Printing etc.)
 Contact Factory mjm@hammondmfg.com for quotes
 Solid models of this enclosure available in STEP or IGES.
 (Part number and text placement/orientation on our products are subject to change,
 we do not recommend using them as a locating reference for modification purposes)

NOTE
 Purchased assembly includes box, lid, 4 cover screws, and preformed silicone gasket.
 General Purpose ABS version is not UL approved. (Matl UL94 - HB)
 Polycarbonate version is UL 508 approved. (Matl UL94 - 5VA @ 3mm)
Recommended Cover screw torque -- 2.5 lbf-in (30 cN-m)

1554V	
1554V Regular Enclosure	
General Purpose ABS RAL-7035	1554VGY
Polycarbonate RAL-7035	1554V2GY
1554V Clear / Smoke Lid Enclosure	
Polycarbonate Box / Clear Polycarbonate Lid	1554V2GYCL
Polycarbonate Box / Smoke Polycarbonate Lid	1554V2GYSL
ACCESSORIES	
Steel Inner Panels	1554VPL
Steel Panel / P.C. Board Machine Screw [M3 x 8mm Plated]	1591MM100
Steel Panel / P.C. Board Self Tapping Screw [#6 X 1/4" (6.4mm) Plated]	1598ATS100
Cover Screws (Pkg 4) [M4 X 25mm Stainless Steel]	SC1554V
Silicone Pre-formed Gasket Black (Pkg 2)	1554VGASKET



1554V
www.hammondmfg.com

Dimensions:
 mm
 [inches]