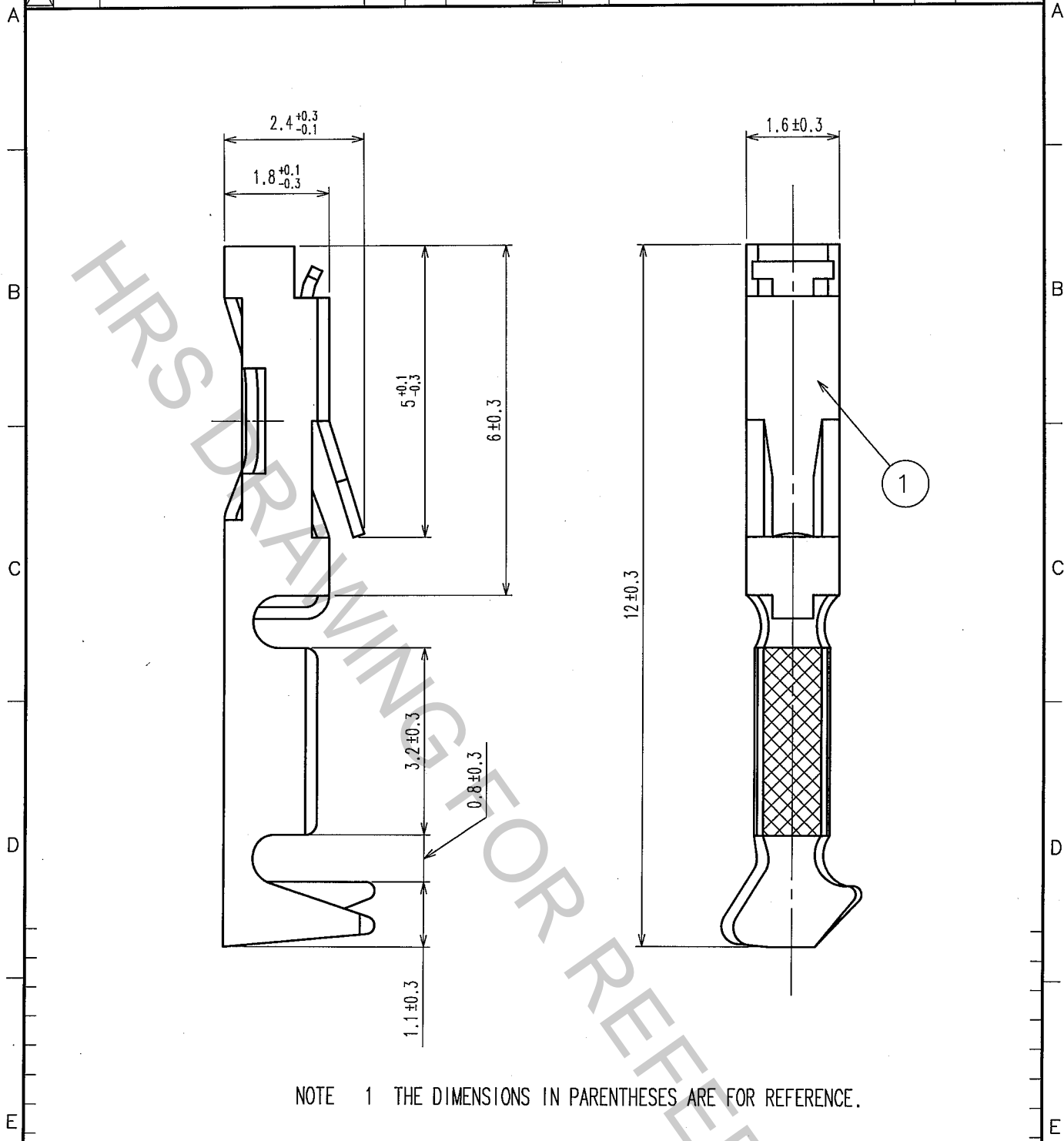


Feb.1.2017 Copyright 2017 HIROSE ELECTRIC CO., LTD. All Rights Reserved.

1	2	3	4						
COUNT	DESCRIPTION OF REVISIONS	BY	CHKD	DATE	COUNT	DESCRIPTION OF REVISIONS	BY	CHKD	DATE
△					△				
△					△				
△					△				



NOTE 1 THE DIMENSIONS IN PARENTHESES ARE FOR REFERENCE.

1	PHOSPHOR BRONZE	CONTACT AREA: GOLD 0.2μ m min. UNDER PLATING: NICKEL 1μ m min.
---	-----------------	---

NO.	MATERIAL	FINISH, REMARKS	NO.	MATERIAL	FINISH, REMARKS
-----	----------	-----------------	-----	----------	-----------------

CODE NO. (OLD) CL	DRAWN A. SUZUKAWA '06.05.26	DESIGNED d. Nakamura '06.05.29	CHECKED d. Ogyawa '06.05.30	APPROVED H. Okawa '06.05.30	RELEASED
----------------------	-----------------------------------	--------------------------------------	-----------------------------------	-----------------------------------	----------

TO  
PCK

	DRAWING NO. EDC4-016840	PART NO. HIF3-2428SCA
SCALE 10 : 1	 HIROSE ELECTRIC CO., LTD.	CODE NO. CL562-0246-8
UNITS mm		1/1