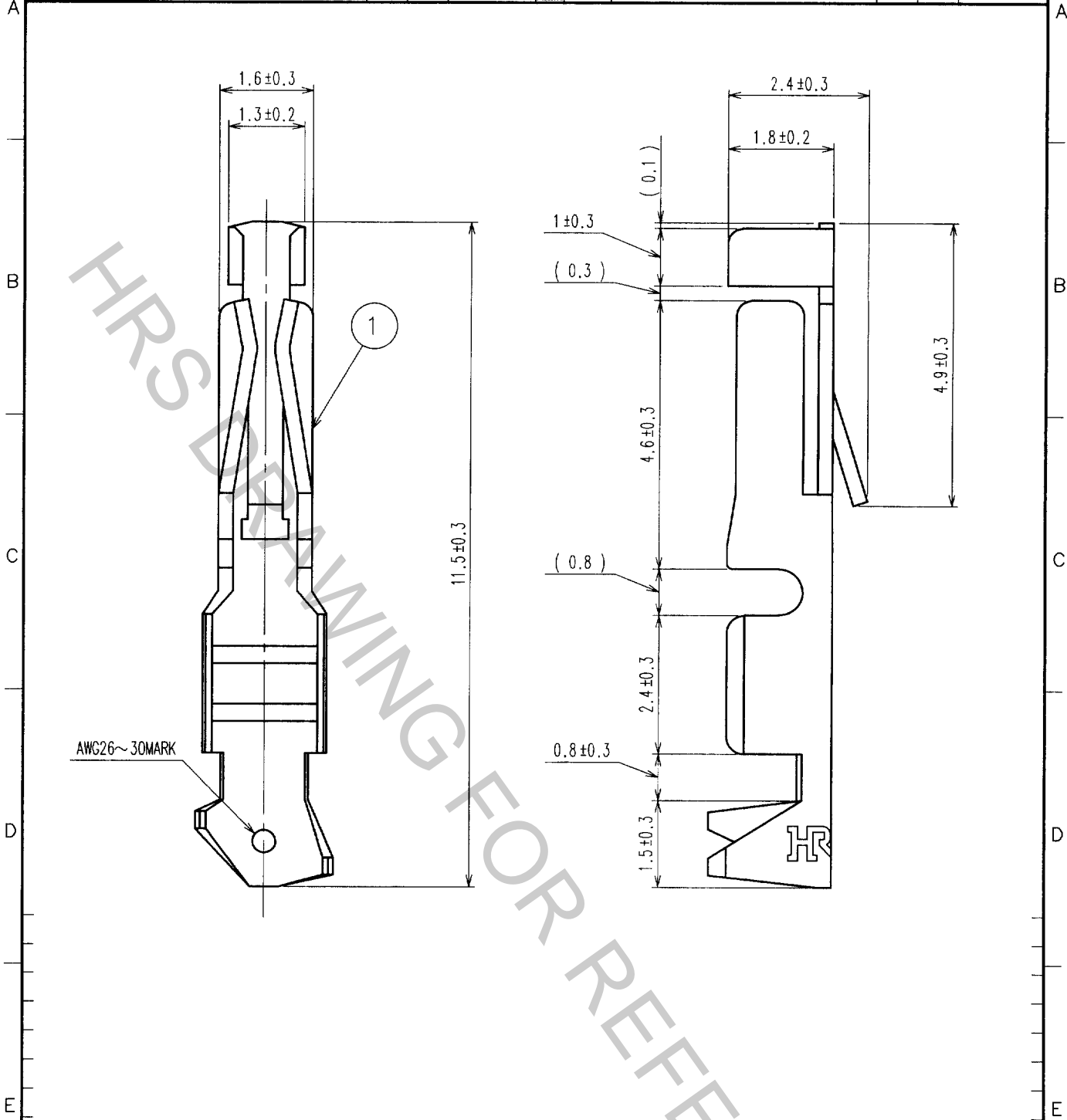


| 1 | | 2 | | | 3 | | | 4 | | |
|-------|--------------------------|----|------|------|-------|--------------------------|----|------|------|--|
| COUNT | DESCRIPTION OF REVISIONS | BY | CHKD | DATE | COUNT | DESCRIPTION OF REVISIONS | BY | CHKD | DATE | |
| △ | | | | .. | △ | | | | .. | |
| △ | | | | | △ | | | | .. | |
| △ | | | | | △ | | | | .. | |



| | | | | | |
|-----|-----------------|---|-----|----------|-----------------|
| NO. | MATERIAL | FINISH, REMARKS | NO. | MATERIAL | FINISH, REMARKS |
| 1 | PHOSPHOR BRONZE | CONTACT AREA: GOLD PLATED(0.2μm) OVER NICKEL THE OTHER AREA: NICKEL PLATED | | | |

| | | | | | |
|----------------|--------------------|--------------------|--------------------|--------------------|----------|
| CODE NO. (OLD) | DRAWN | DESIGNED | CHECKED | APPROVED | RELEASED |
| | <i>[Signature]</i> | <i>[Signature]</i> | <i>[Signature]</i> | <i>[Signature]</i> | |
| | 02.06.17 | 02.06.17 | 02.06.17 | 02.06.17 | |

| | | | |
|------------------------------------|---|--|-----|
| SCALE 10 : 1 UNITS mm | DRAWING NO. EDC4-017876 HRS HIROSE ELECTRIC CO., LTD. | PART NO. HIF3-2630SCC CODE NO. CL613-0003-4 | 1/1 |
|------------------------------------|---|--|-----|

TO
PCK