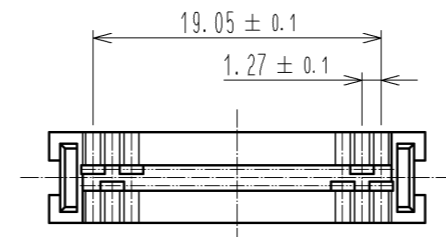
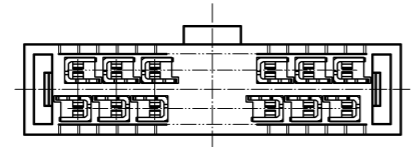
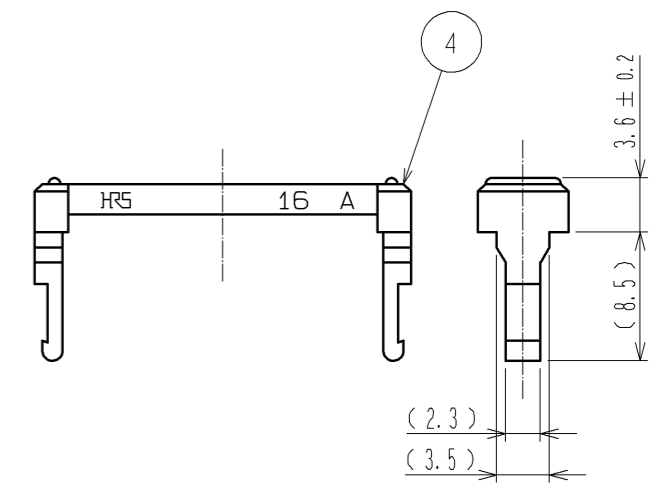
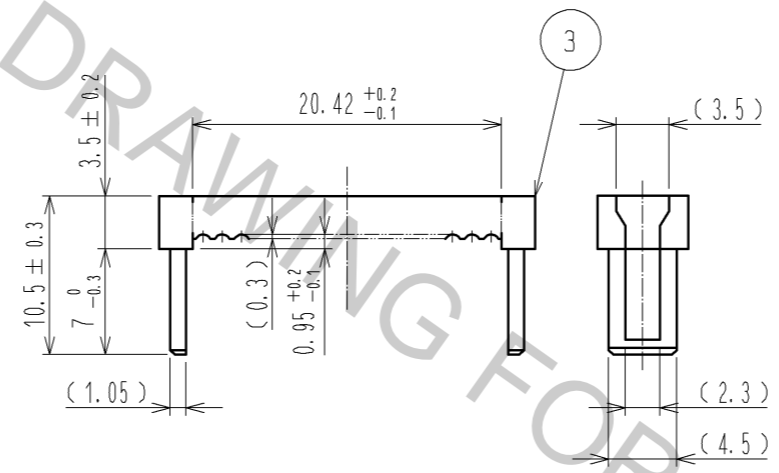
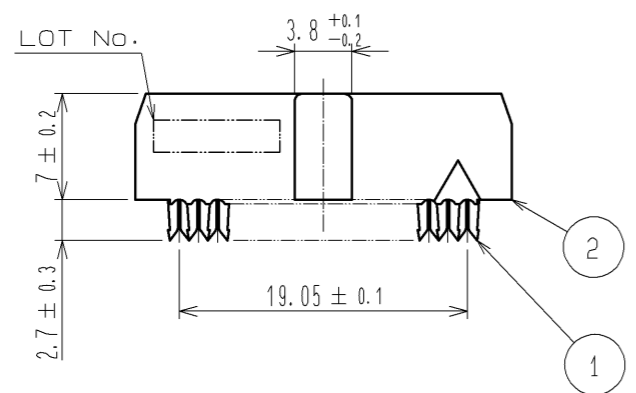
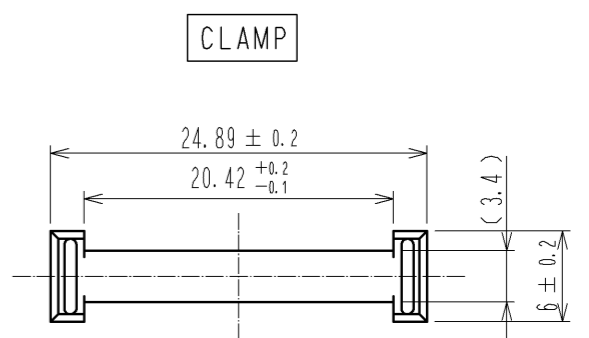
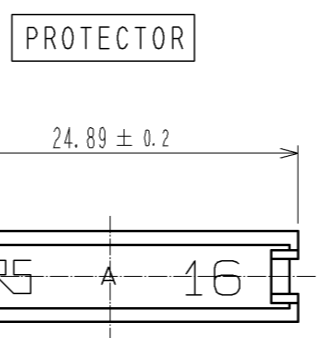
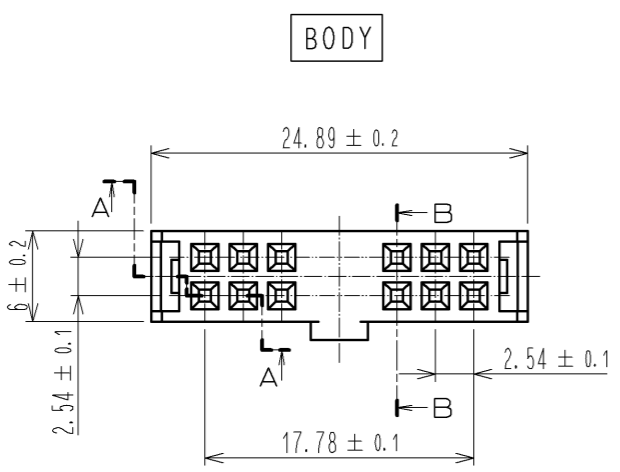
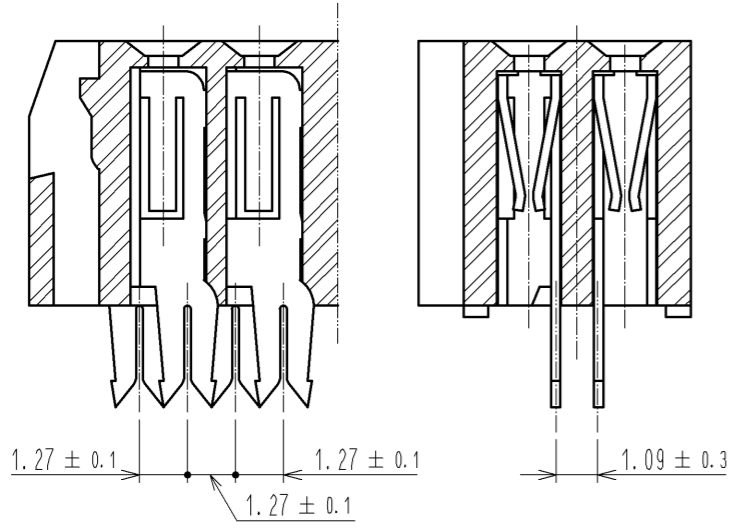


Feb.1.2017 Copyright 2017 HIROSE ELECTRIC CO., LTD. All Rights Reserved.

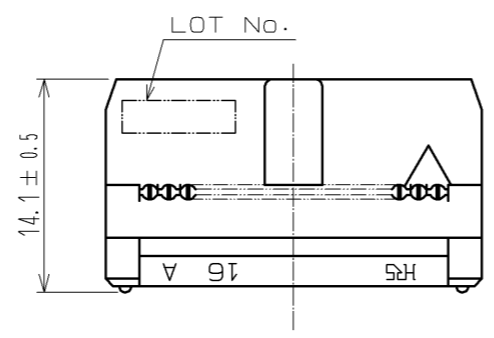


A-A (5:1)

B-B (5:1)



ASSEMBLY FIGURE



NOTE THE DIMENSIONS IN PARENTHESES ARE FOR REFERENCE.

1	BERYLLIUM COPPER	OVER PLATING:GOLD 0.2μm min.					
		UNDER PLATING:NICKEL 3μm min.	2~4	PBT	BLACK	UL94V-0	
NO.	MATERIAL	FINISH . REMARKS	NO.	MATERIAL	FINISH . REMARKS		
UNITS mm		SCALE 2 : 1	COUNT 	DESCRIPTION OF REVISIONS	DESIGNED	CHECKED	DATE
<b>HRS</b> HIROSE ELECTRIC CO., LTD.		APPROVED : HS. OKAWA	11.03.22	DRAWING NO.	EDC3-016213-00		
		CHECKED : HT. YAMAGUCHI	11.03.22	PART NO.	HIF3A-16D-2.54R		
		DESIGNED : SY. KAMIGA	11.03.22	CODE NO.	CL562-0058-8-00		
		DRAWN : HK. SUNADORI	11.03.18		1/1		