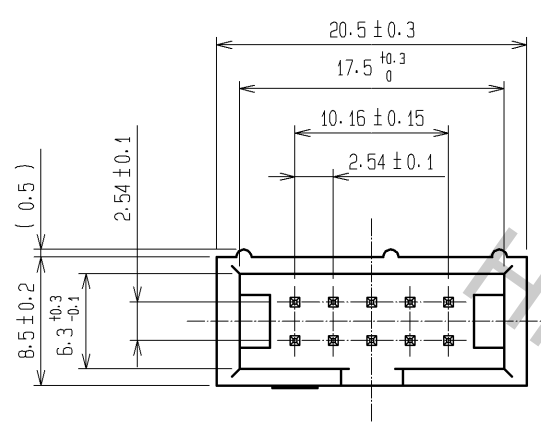
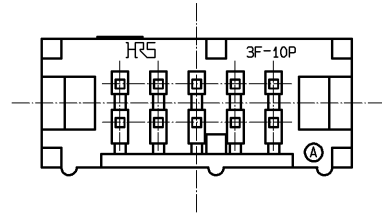
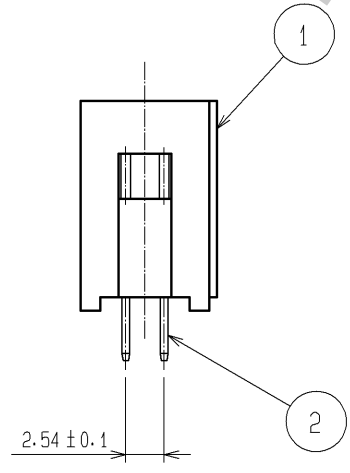
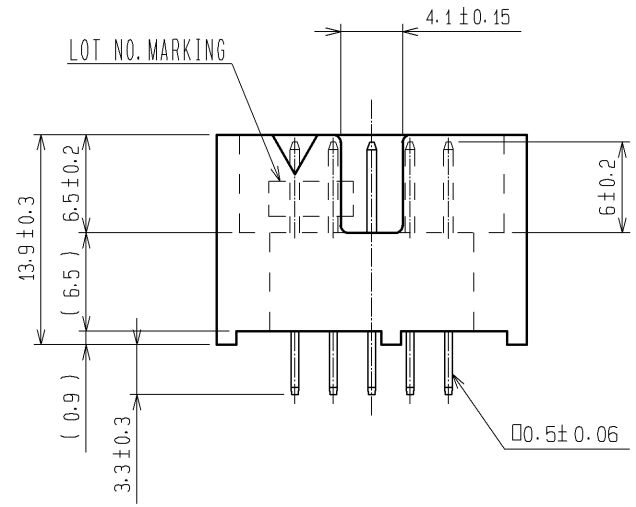
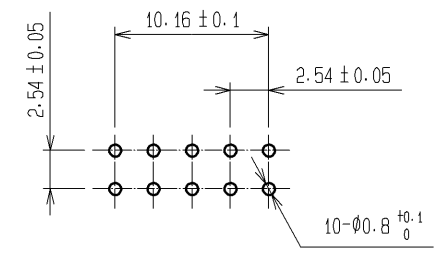


Feb.1.2017 Copyright 2017 HIROSE ELECTRIC CO., LTD. All Rights Reserved.



RECOMMENDED PC BOARD HOLE PATTERN



NOTE 1. THE DIMENSIONS IN PARENTHESES ARE FOR REFERENCE.

|                                      |          |                          |          |                                 |  |          |         |      |
|--------------------------------------|----------|--------------------------|----------|---------------------------------|--|----------|---------|------|
| 1                                    | PBT      | BLACK UL94V-0            | 2        | BRASS                           | CONTACT AREA : Ni2.5µm+Au0.2µm<br>DIP AREA : Ni2.5µm+Sn2µm |          |         |      |
| NO.                                  | MATERIAL | FINISH . REMARKS         | NO.      | MATERIAL                        | FINISH . REMARKS   |          |         |      |
| UNITS<br>mm                          |          | SCALE<br>2 : 1           |          | COUNT                           | DESCRIPTION OF REVISIONS                                   | DESIGNED | CHECKED | DATE |
| <b>HRS</b> HIROSE ELECTRIC CO., LTD. |          | APPROVED : HS. OKAWA     | 12.06.05 | DRAWING NO. EDC3-016854-21      |  |          |         |      |
|                                      |          | CHECKED : HT. YAMAGUCHI  | 12.06.05 | PART NO. HIF3F-10PA-2.54DSA(71) |  |          |         |      |
|                                      |          | DESIGNED : KJ. NISHIWAKI | 12.06.05 | CODE NO. CL615-0061-3-71        |  |          |         |      |
|                                      |          | DRAWN : CR. TAKESHIMA    | 12.06.05 |                                 |  |          |         |      |