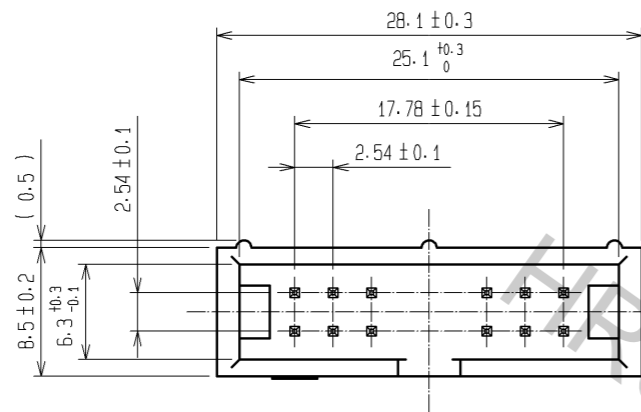
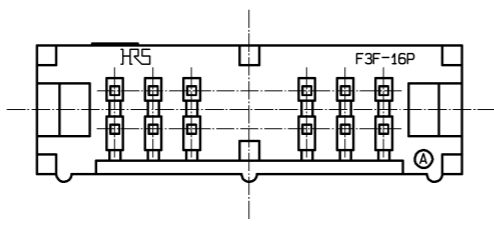
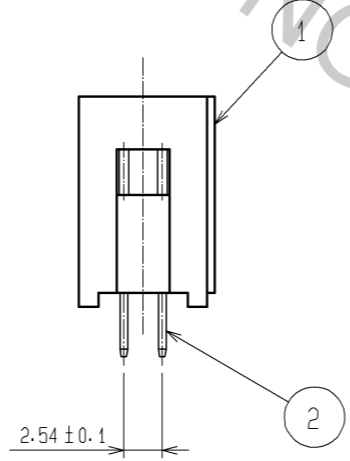
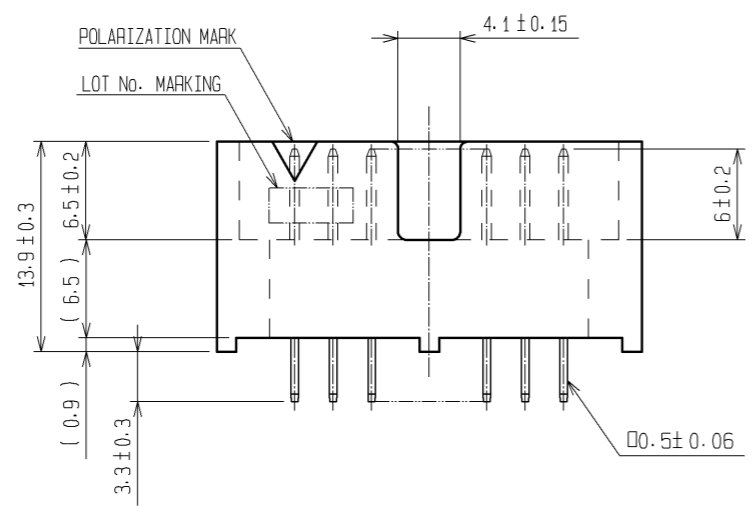
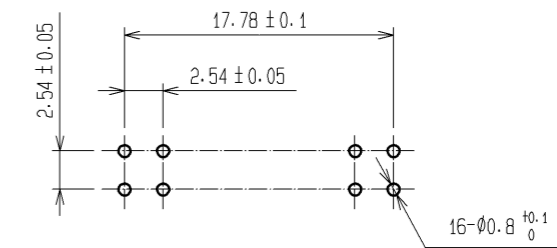


Feb.1.2017 Copyright 2017 HIROSE ELECTRIC CO., LTD. All Rights Reserved.



RECOMMENDED PC BOARD HOLE PATTERN



NOTE 1. THE DIMENSIONS IN PARENTHESES ARE FOR REFERENCE.

1	PBT	BLACK	UL94V-0	2	BRASS	CONTACT AREA:GOLD 0.2µm min.		
						LEAD AREA:TIN-PLATING 2µm min.		
						UNDER PLATING:NICKEL 2.5µm min.		
NO.	MATERIAL	FINISH	REMARKS	NO.	MATERIAL	FINISH	REMARKS	
UNITS	mm	SCALE	2 : 1	COUNT	DESCRIPTION OF REVISIONS	DESIGNED	CHECKED	DATE
<b>HRS</b> HIROSE ELECTRIC CO., LTD.		APPROVED	: HS. OKAWA	09.05.22	DRAWING NO.	EDC3-016855-21		
		CHECED	: HT. YAMAGUCHI	09.05.22	PART NO.	HIF3F-16PA-2.54DSA(71)		
		DESIGNED	: YN. TAKANO	09.05.22	CODE NO.	CL615-0062-6-71		
		DRAWN	: HK. SUNADORI	09.05.21				