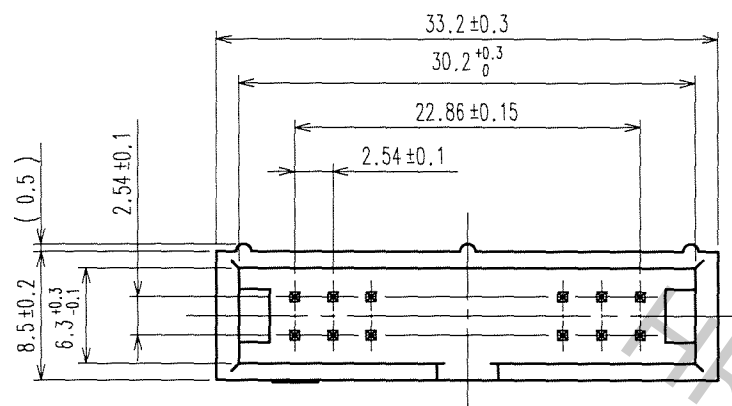
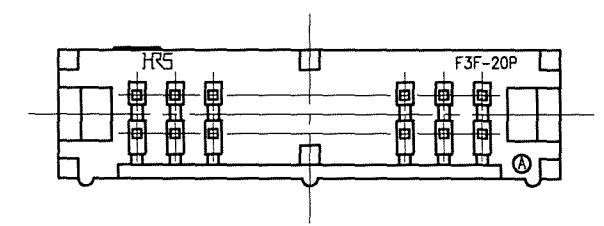
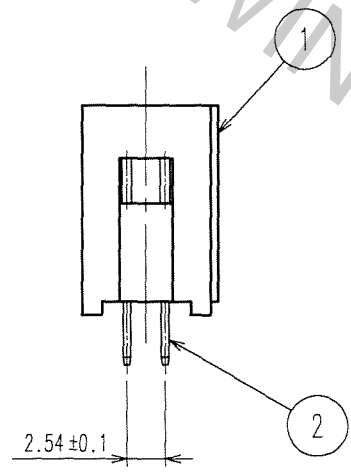
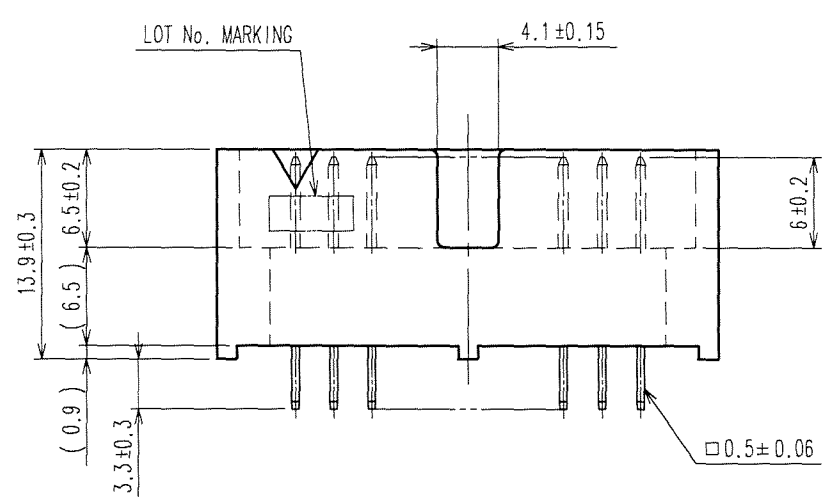
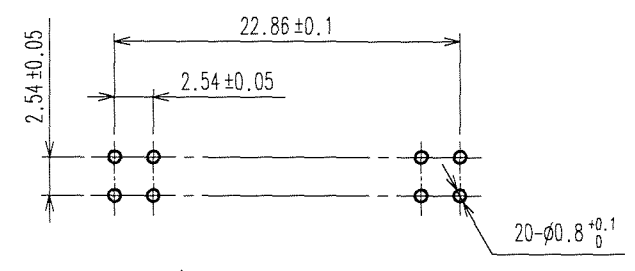


Feb.1.2017 Copyright 2017 HIROSE ELECTRIC CO., LTD. All Rights Reserved.

COUNT	DESCRIPTION OF REVISIONS	BY	CHKD	DATE	COUNT	DESCRIPTION OF REVISIONS	BY	CHKD	DATE



RECOMMENDED PC BOARD HOLE PATTERN



NOTE 1. THE DIMENSIONS IN PARENTHESES ARE FOR REFERENCE.

1	PBT	BLACK UL94V-0	2	BRASS	CONTACT AREA : GOLD 0.2μm min. DIP AREA : TIN-PLATING 2μm min. UNDER PLATING : NICKEL 2.5μm min.
NO.	MATERIAL	FINISH, REMARKS	NO.	MATERIAL	FINISH, REMARKS
CODE NO. (OLD) CL		DRAWN A. SUZUKAWA '06.12.13	DESIGNED <i>[Signature]</i> '06.12.13	CHECKED <i>[Signature]</i> '06.12.13	APPROVED <i>[Signature]</i> '06.12.13
SCALE 2 : 1		DRAWING NO. EDC3-016856-21		PART NO. HIF3F-20PA-2.54DSA(71)	
UNITS mm		HRS HIROSE ELECTRIC CO., LTD		CODE NO. CL615-0063-9-71	

TO