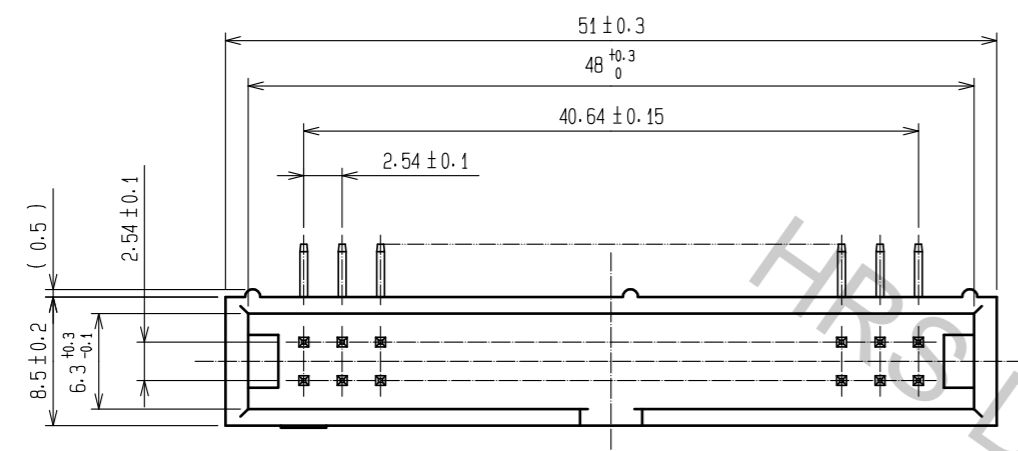
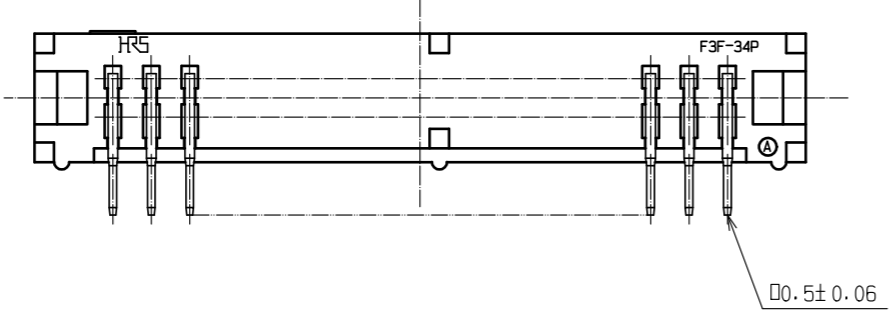
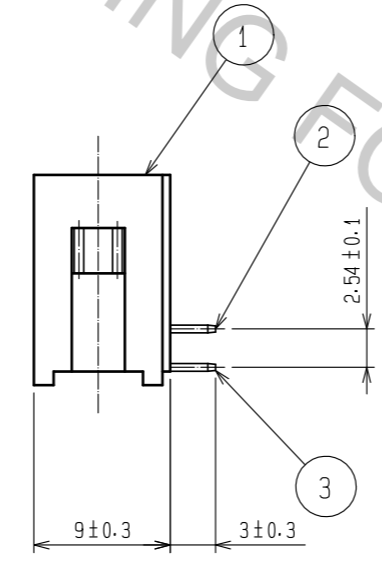
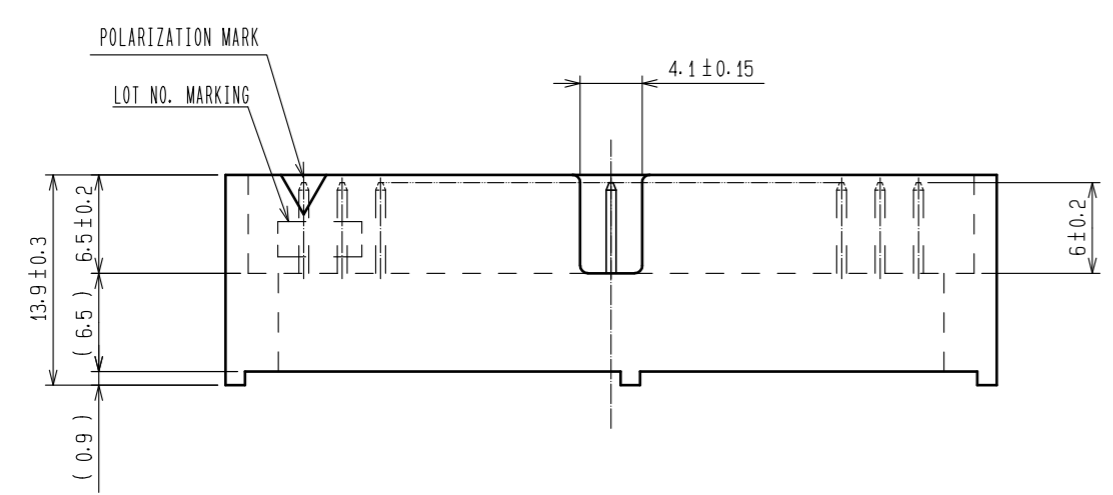
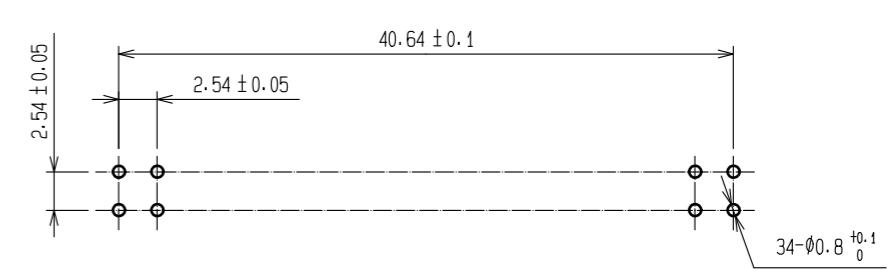


Feb.1.2017 Copyright 2017 HIROSE ELECTRIC CO., LTD. All Rights Reserved.



RECOMMENDED PC BOARD HOLE PATTERN



NOTE 1. THE DIMENSIONS IN PARENTHESES ARE FOR REFERENCE.

1		PBT	BLACK	UL94V-0	2, 3	BRASS	CONTACT AREA:GOLD 0.2μm min.
NO.		MATERIAL	FINISH . REMARKS		NO. MATERIAL		LEAD AREA:TIN-PLATING 2μm min.
							UNDER PLATING:NICKEL 2.5μm min.
UNITS		SCALE	COUNT	DESCRIPTION OF REVISIONS	DESIGNED	CHECKED	DATE
mm		2 : 1					
HRS		HIROSE ELECTRIC CO., LTD.	APPROVED : HS. OKAWA	15.07.29	DRAWING NO. EDC-016850-71-00		
			CHECKED : HT. YAMAGUCHI	15.07.29	PART NO. HIF3F-34PA-2.54DS(71)		
			DESIGNED : TH. SANO	15.07.28	CODE NO. CL615-0046-0-71		
			DRAWN : HR. NAGAYASU	15.07.28	1/1		