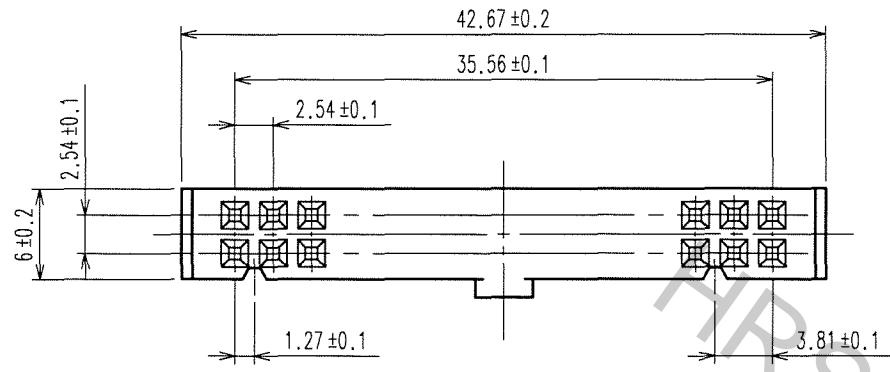
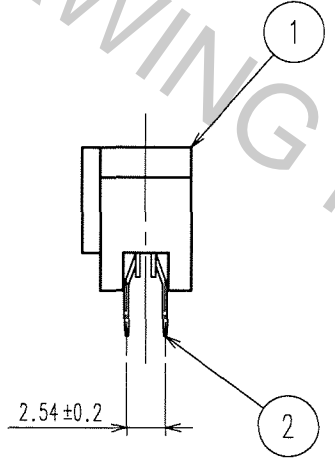
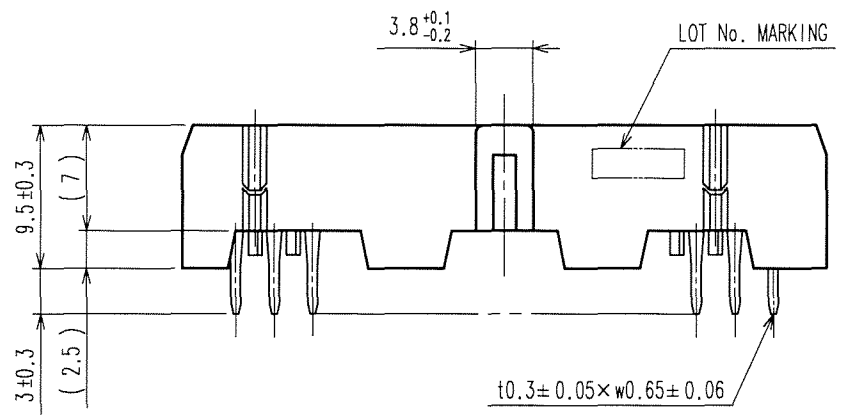
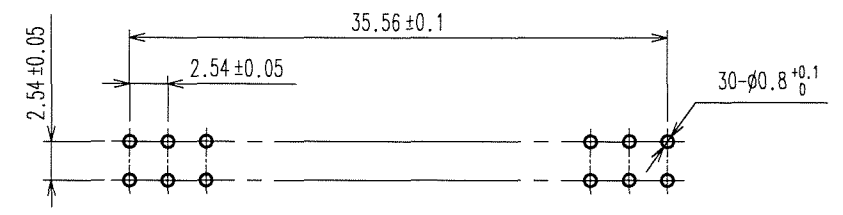


Feb.1.2017 Copyright 2017 HIROSE ELECTRIC CO., LTD. All Rights Reserved.

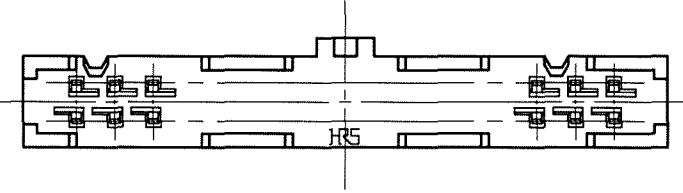
COUNT	DESCRIPTION OF REVISIONS	BY	CHKD	DATE	COUNT	DESCRIPTION OF REVISIONS	BY	CHKD	DATE
△				..	△				..
△				..	△				..
△				..	△				..



RECOMMENDED LAND PATTERN DIMENSION OF P.C.B.



NOTE 1. THE DIMENSIONS IN PARENTHESES ARE FOR REFERENCE.



1	PBT	BLACK UL94V-0	2	COPPER ALLOY	CONTACT AREA : GOLD 0.2μ m min. LEAD AREA:TIN-PLATING 2μ m min. UNDER PLATING : NICKEL 2.5μ m min.
NO.	MATERIAL	FINISH, REMARKS	NO.	MATERIAL	FINISH, REMARKS
CODE NO. (OLD) CL		DRAWN K.DOI 06.04.28	DESIGNED K. Doi 06.04.28	CHECKED H. Ozawa 06.04.28	APPROVED H. Okawa 06.04.28
DRAWING NO. EDC3-019398-21		PART NO. HIF3FB-30DA-2.54DSA(71)			
SCALE 2 : 1		UNITS mm		CODE NO. CL616-0206-0-71	
HRS HIROSE ELECTRIC CO., LTD		1/1			

TO