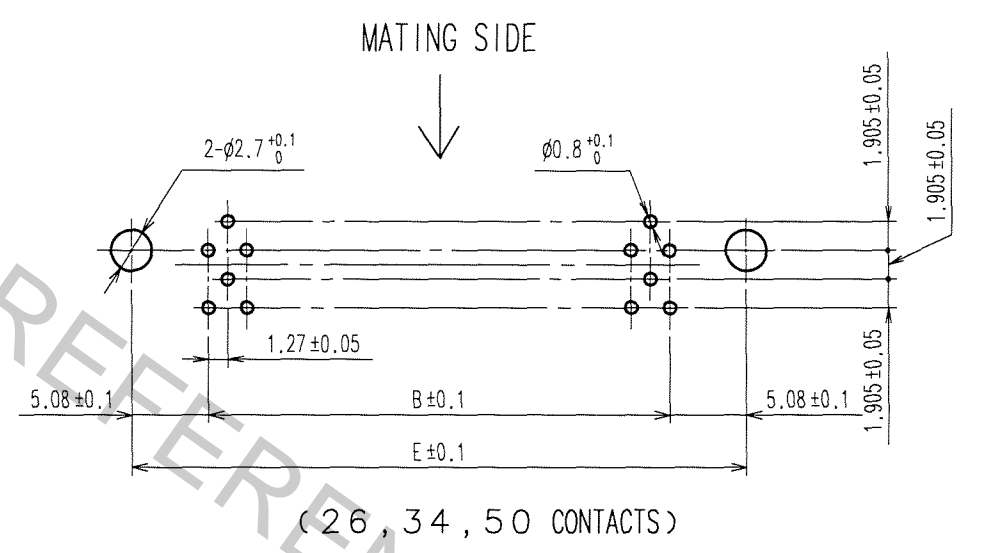
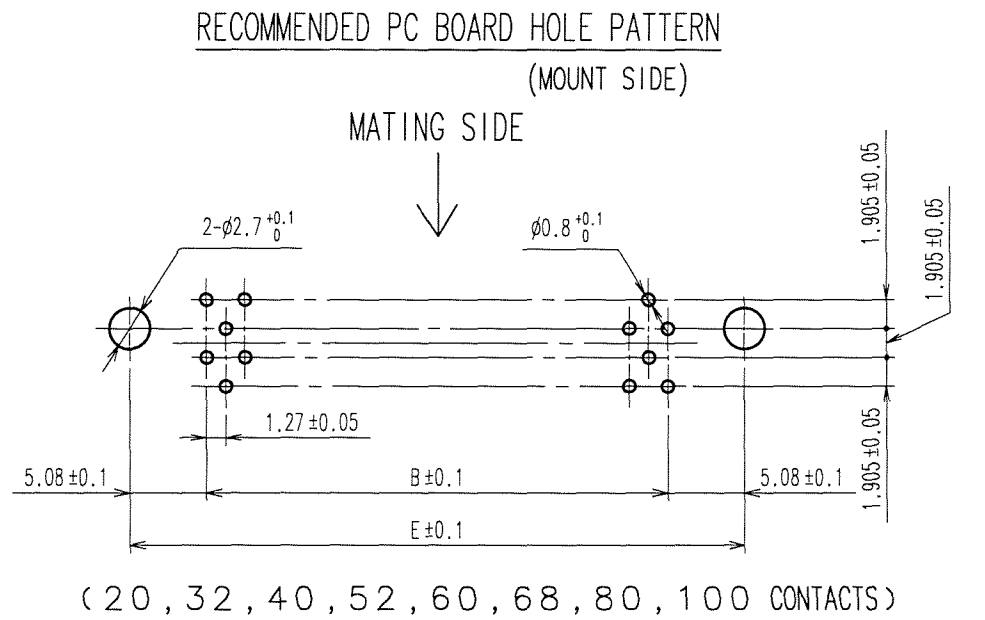
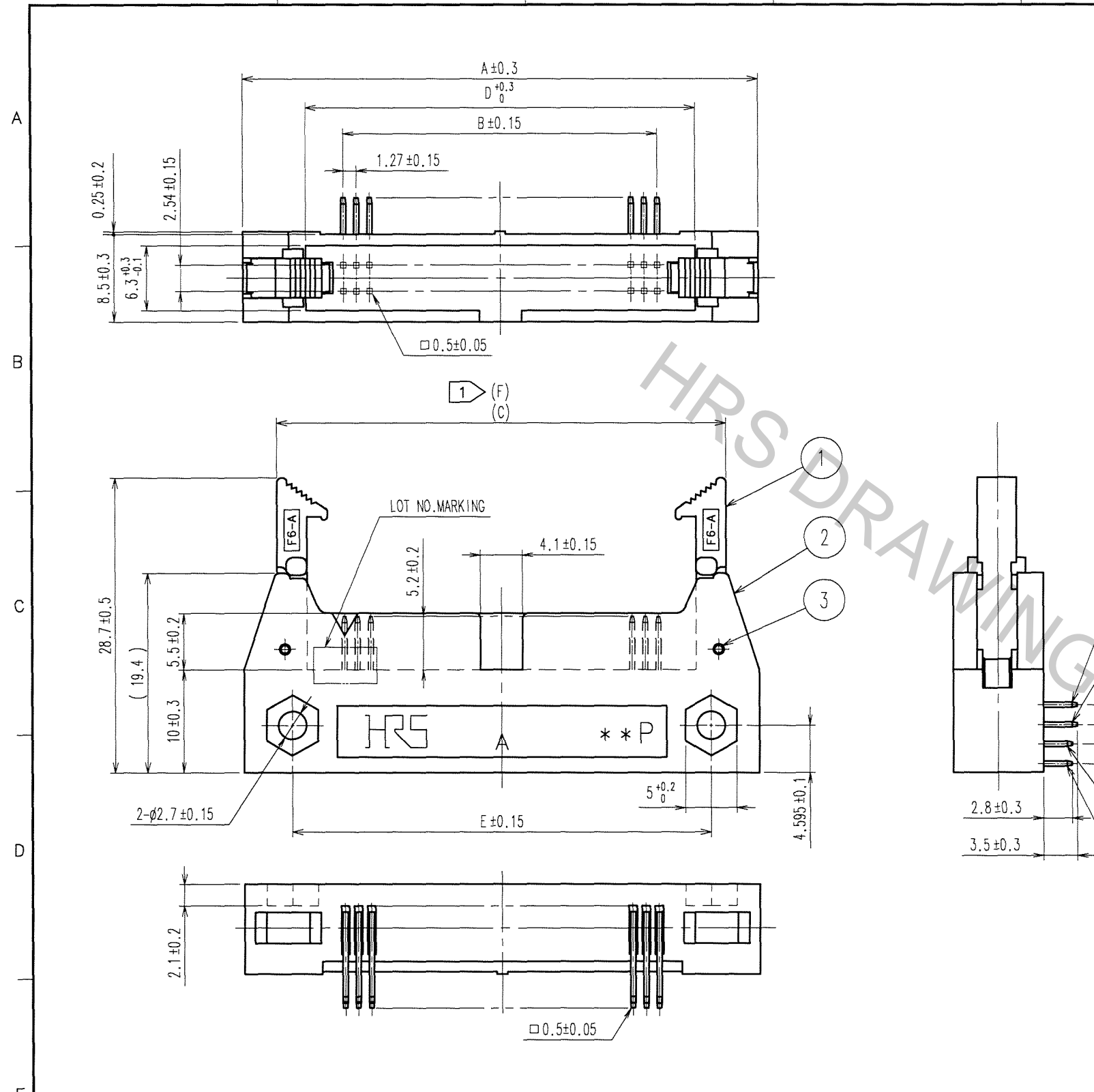


Feb.1.2017 Copyright 2017 HIROSE ELECTRIC CO., LTD. All Rights Reserved.

COUNT	DESCRIPTION OF REVISIONS	BY	CHKD	DATE	COUNT	DESCRIPTION OF REVISIONS	BY	CHKD	DATE
△					△				
△					△				
△					△				



NOTE 1 THE UPPER DIMENSION SHOWS WHEN THE LOCK OPEN OUT.  
 2 THE DIMENSIONS IN PARENTHESES ARE FOR REFERENCE.  
 3 NUMBER OF CONTACTS.

PART No.	CODE No.	3	A	B	C	D	E	F
HIF6-20PA-1.27DS(71)	CL630-0051-2-71	20	30.95	11.43	24.55	18.75	21.59	43.55
HIF6-26PA-1.27DS(71)	CL630-0052-5-71	26	34.76	15.24	28.36	22.56	25.40	47.36
HIF6-32PA-1.27DS(71)	CL630-0053-8-71	32	38.57	19.05	32.17	26.37	29.21	51.17
HIF6-34PA-1.27DS(71)	CL630-0054-0-71	34	39.84	20.32	33.44	27.64	30.48	52.44
HIF6-40PA-1.27DS(71)	CL630-0055-3-71	40	43.65	24.13	37.25	31.45	34.29	56.25
HIF6-50PA-1.27DS(71)	CL630-0056-6-71	50	50.00	30.48	43.60	37.80	40.64	62.60
HIF6-52PA-1.27DS(71)	CL630-0057-9-71	52	51.27	31.75	44.87	39.07	41.91	63.87
HIF6-60PA-1.27DS(71)	CL630-0058-1-71	60	56.35	36.83	49.95	44.15	46.99	68.95
HIF6-68PA-1.27DS(71)	CL630-0059-4-71	68	61.43	41.91	55.03	49.23	52.07	74.03
HIF6-80PA-1.27DS(71)	CL630-0060-3-71	80	69.05	49.53	62.65	56.85	59.69	81.65
HIF6-100PA-1.27DS(71)	CL630-0061-6-71	100	81.75	62.23	75.35	69.55	72.39	94.35

3	STAINLESS STEEL	4~7	BRASS	CONTACT AREA: GOLD 0.2μm min. DIP AREA: TIN-PLATING 2μm min. UNDER PLATING: NICKEL 2.5μm min.		
1, 2	PBT	BLACK	UL94V-0			
NO.	MATERIAL	FINISH, REMARKS	NO.	MATERIAL	FINISH, REMARKS	
CODE NO. (OLD)	CL	DRAWN	DESIGNED	CHECKED	APPROVED	RELEASED
		A. SUZUKAWA	K. Nakamura	K. Ogawa	H. Okawa	
		06.03.31	06.04.04	06.04.04	06.04.04	
SCALE	FREE	DRAWING NO.	PART NO.			
		EDC3-151847-21	HIF6-**-PA-1.27DS(71)			
UNITS	mm	HRS	HIROSE ELECTRIC CO., LTD	CODE NO.	CL630	1/1

TO PCK